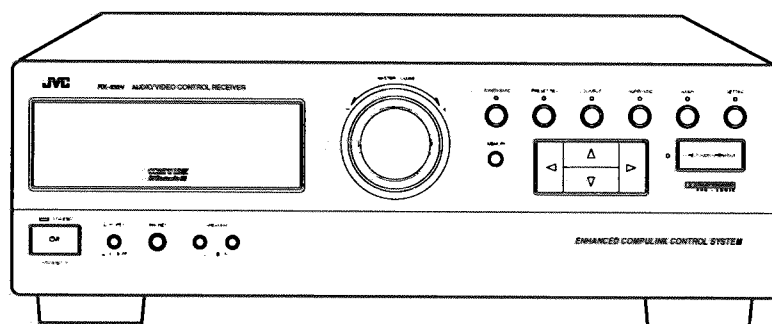
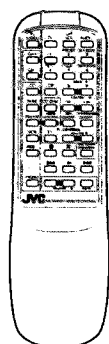


JVC

SERVICE MANUAL

AUDIO/VIDEO CONTROL RECEIVER

RX-430VBK



Area Suffix	
BS	the U.K.
EF	Continental Europe Except Germany
EN	Nordic Countries
G	Germany
US	Singapore
UT	Taiwan
U	Universal Except All of Above

COMPU LINK
||| Remote |||

Contents

<i>Safety Precautions</i>	1-2	<i>Adjustment Procedures</i>	2-13
<i>Instruction Book</i>	1-3	<i>Block Diagrams</i>	2-15
<i>Description of Major ICs</i>	2-1	<i>Printed Circuit Boards</i>	2-17
<i>Internal Connection of Display</i>	2-10	<i>Schematic Diagrams</i>	2-21
<i>Disassembly Procedures</i>	2-11	<i>Parts List</i>	3-1

RX-430VBK

Safety Precautions

1. The design of this product contains special hardware and many circuits and components specially for safety purposes. For continued protection, no changes should be made to the original design unless authorised in writing by the manufacturer. Replacement parts must be identical to those used in the original circuits.
2. Any unauthorised design alterations or additions will void the manufacturer's guarantee ; furthermore the manufacturer cannot accept responsibility for personal injury or property damage resulting therefrom.
3. Essential safety critical components are identified by (\triangle) on the Parts List and by shading on the schematics ,and must never be replaced by parts other than those listed in the manual. Please note however that many electrical and mechanical parts in the product have special safety related characteristics . These characteristics are often not evident from visual inspection . Parts other than specified by the manufacturer may not have the same safety characteristics as the recommended replacement parts shown in the Parts List of the service manual and may create shock , fire , or other hazards .
4. The leads in the products are routed and dressed with ties, clamps, tubings, barriers and the like to be separated from live parts, high temperature parts, moving parts and/or sharp edges for the prevention of electric shock and fire hazard. When service is required, the original lead routing and dress should be observed, and it should be confirmed that they have been returned to normal, after re-assembling.

Warning

1. Service should be performed by qualified personnel only.
2. This equipment has been designed and manufactured to meet international safety standards.
3. It is the legal responsibility of the repairer to ensure that these safety standards are maintained.
4. Repairs must be made in accordance with the relevant safety standards.
5. It is essential that safety critical components are replaced by approved parts.
6. If mains voltage selector is provided, check setting for local voltage .

Table of Contents

Switches, Buttons and Controls..... 2

Getting Started..... 3

Before Installation..... 3

Checking the Supplied Accessories 3

Connecting the FM and AM (MW/LW) Antennas 4

Connecting the Speakers 5

Connecting Audio/Video Components 7

Connecting Audio Components for the COMPU LINK-3 Remote Control System 8

Connecting the Power Cord 8

Putting Batteries in the Remote Control 9

Basic Operations 10

Turning the Power On and Off (Standby) 10

Selecting the Source to Play 10

Selecting the Front Speakers 11

Adjusting the Volume 11

Muting the Sound 11

Recording a Source 12

Listening with Headphones 12

Basic Settings 13

Adjusting the Front Speaker Output Balance 13

Listening at Low Volume (Loudness) 13

Using the Sleep Timer 13

Selecting the Center Speaker Size 14

One-Touch Operation 15

About the One-Touch Operation 15

Using the One-Touch Operation 15

Receiving Radio Broadcasts 16

Tuning in Stations Manually 16

Using Preset Tuning 16

Selecting the FM Reception Mode 17

Using the Preset SEA Modes 18

Selecting Your Favorite SEA Mode 18

Using the Surround Processor 20

Using JVC's Hall Surround 20

Speaker Arrangement for Dolby Surround 22

Preparing for Dolby Surround 23

Using Dolby Surround 26

COMPU LINK Remote Control System 27

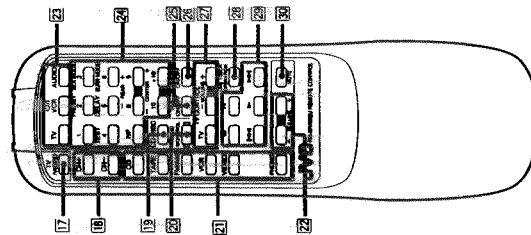
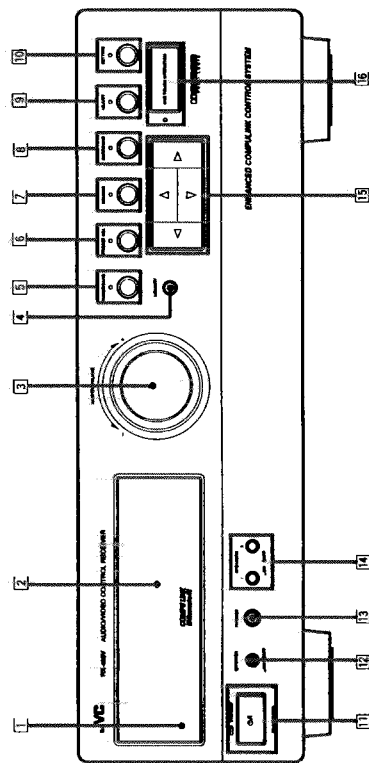
Using the Remote Control..... 28

Troubleshooting..... 30

Specifications..... 31

Switches, Buttons and Controls

Become familiar with the buttons and controls on the receiver before use.



Refer to the pages in parentheses for details.

Front Panel

- 1 Remote sensor (11)
- 2 Display (10)
- 3 MASTER VOLUME control (11)
- 4 MEMORY button (16)
- 5 TUNER/BAND button and lamp (16, 17)
- 6 PRESET SEA button and lamp (18)
- 7 SOURCE button and lamp (10)
- 8 SURROUND button and lamp (20, 23, 26)
- 9 ADJUST button and lamp (21, 23)
- 10 SETTING button and lamp (13)
- 11 STANDBY/ON \odot /I button and STANDBY lamp (10)
- 12 PHONES jack (12)
- 13 SPEAKERS 1/2 buttons (11)
- 14 Control Δ / ∇ / \leftarrow / \rightarrow buttons and lamp (15)
- 15 VCR ADVANCED CONTROL RECEIVER
- 16 VOLUME control
- 17 TV/VIDEO button (29)
- 18 CH (+/-) buttons (29)
- 19 CD-DISC button (28)
- 20 AUDIO CONTROL button (19, 21, 25, 26)
- 21 Source buttons (CD, TAPE, FM/AM, VCR, VIDEO, PHONO) (10, 28, 29)
- 22 VOLUME (+/-) buttons (11)
- 23 \odot /I (Standby/On) buttons (TV, VCR, AUDIO) (10, 29)
- 24 10 keys/Audio control buttons (17, 19, 21, 25, 26, 28)
- 25 SEA ON/OFF button (19)
- 26 SURROUND ON/OFF button (21, 25, 26)
- 27 TV CONTROL buttons (TV, VOLUME (+/-)) (29)
- 28 ONE TOUCH OPERATION button (15)
- 29 Operating buttons for JVC audio/video components (28, 29)
- 30 MUTE button (11)

Remote Control

- 17 TV/VIDEO button (29)
- 18 CH (+/-) buttons (29)
- 19 CD-DISC button (28)
- 20 AUDIO CONTROL button (19, 21, 25, 26)
- 21 Source buttons (CD, TAPE, FM/AM, VCR, VIDEO, PHONO) (10, 28, 29)
- 22 VOLUME (+/-) buttons (11)
- 23 \odot /I (Standby/On) buttons (TV, VCR, AUDIO) (10, 29)
- 24 10 keys/Audio control buttons (17, 19, 21, 25, 26, 28)
- 25 SEA ON/OFF button (19)
- 26 SURROUND ON/OFF button (21, 25, 26)
- 27 TV CONTROL buttons (TV, VOLUME (+/-)) (29)
- 28 ONE TOUCH OPERATION button (15)
- 29 Operating buttons for JVC audio/video components (28, 29)
- 30 MUTE button (11)

Getting Started

This section explains how to connect stereo components and speakers to the receiver, and how to connect the power supply.

Before Installation

General

- Be sure your hands are dry.
- Turn the power off to all components.
- Read the manuals supplied with the components you are going to connect.

Locations

- Install the receiver in a location that is level and protected from moisture.
- The temperature around the receiver must be between -5° and 35° C (23° and 95° F).
- Make sure there is good ventilation around the receiver. Poor ventilation could cause overheating and damage the receiver.

Handling the receiver

- Do not insert any metal object into the receiver.
- Do not disassemble the receiver or remove screws, covers, or cabinet.
- Do not expose the receiver to rain or moisture.

Checking the Supplied Accessories

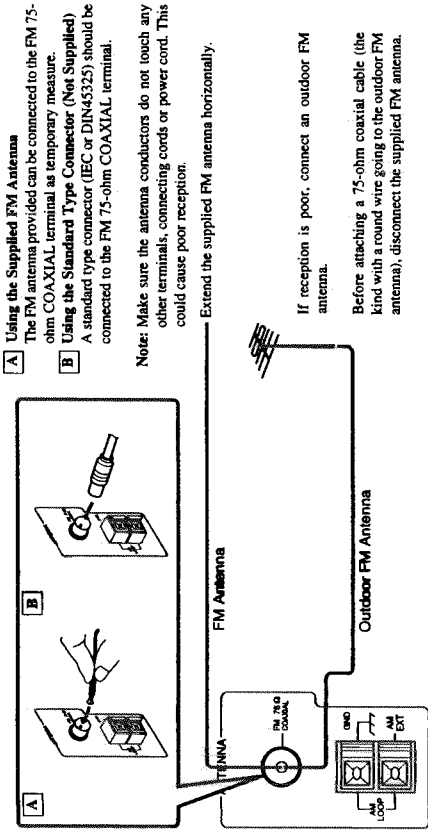
Check to be sure you have all of the following items, which are supplied with the receiver. The number in the parentheses indicates quantity of the pieces supplied.

- Remote Control (1)
- Batteries (2)
- AM (MW/LW) Loop Antenna (1)
- FM Antenna (1)

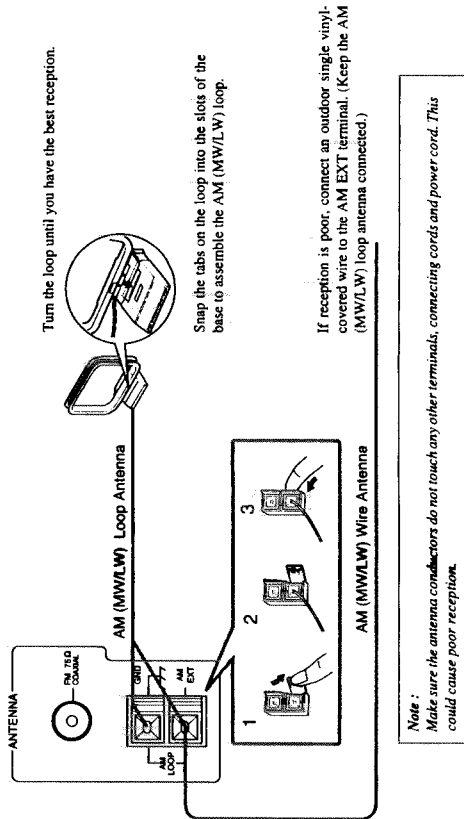
If anything is missing, contact your dealer immediately.

Connecting the FM and AM (MW/LW) Antennas

FM Antenna Connections



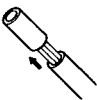
AM (MW/LW) Antenna Connections



Connecting the Speakers

You can connect the following speakers:

- Two sets of front speakers to produce normal stereo sound
- One set of rear speakers to enjoy the surround effect
- One center speaker to produce more effective surround effect (to make human voices outstanding)
- One subwoofer to enhance the bass



For each speaker (except for subwoofer), connect one end of the speaker cable (not supplied) to the speaker terminal on the rear panel and the other end to the speaker. (For connecting a subwoofer, see page 7).

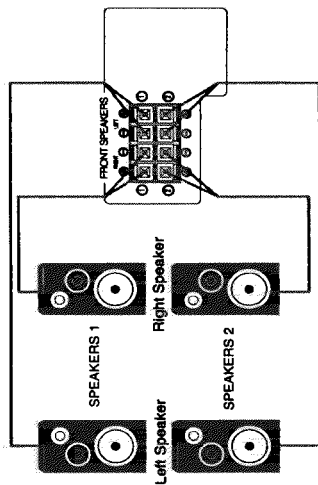
1. Open each terminal.
2. Insert the end of the speaker signal cable as shown (be sure to remove the insulation at the end of each wire first).
3. Close the terminals to clamp the speaker signal cables firmly in place.
4. Connect the black (-) and red (+) terminals on the rear panel to the black (-) and red (+) terminals marked on the speakers.



CAUTION: When connecting speakers, use speakers with the same SPEAKER IMPEDANCE indicated by the speaker terminals.

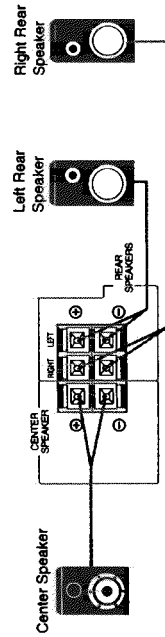
Connecting the front speakers

Connect the front speakers to the FRONT SPEAKERS terminals.



Connecting the rear and center speakers

Connect rear speakers to the REAR SPEAKERS terminals and a center speaker to the CENTER SPEAKER terminals.

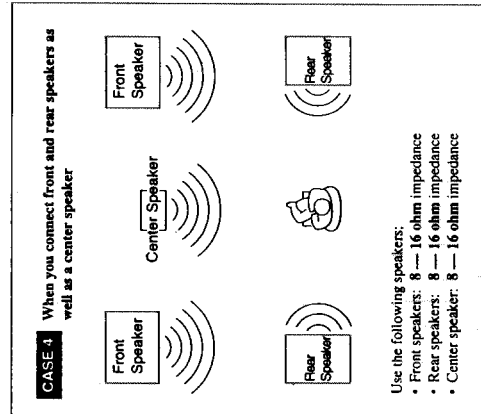
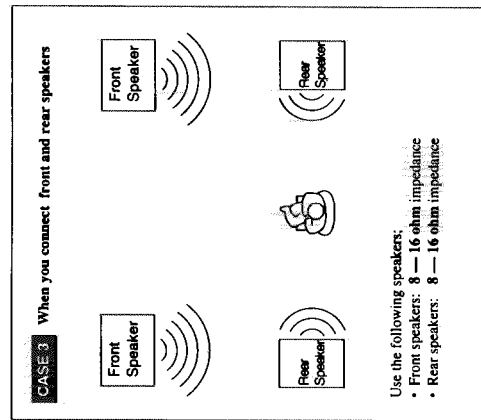
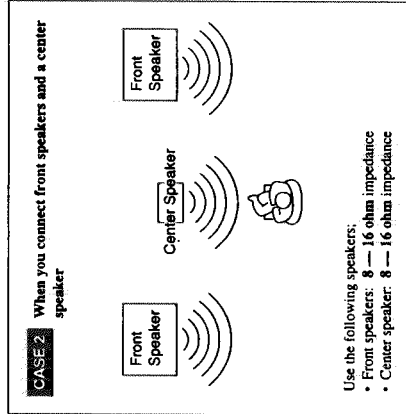
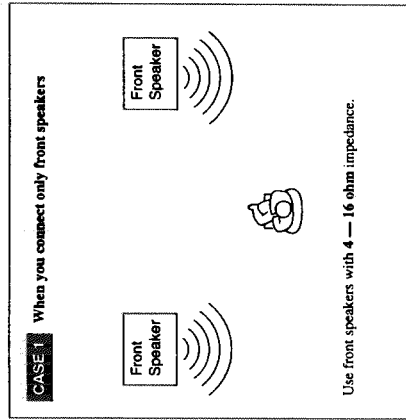


Note: When you connect rear speakers, make sure that both left and right speakers are connected; otherwise, no sound will come out of the rear speakers.

About the speaker impedance of the speakers

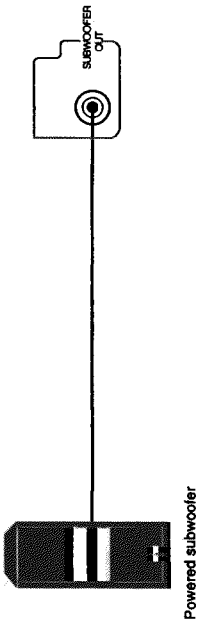
CAUTION: When connecting speakers, use speakers with the same SPEAKER IMPEDANCE indicated by the speaker terminals.

- Notes:**
- The required speaker impedance of the front speakers does not differ depending on whether both the FRONT SPEAKERS ① and FRONT SPEAKERS ② terminals are used or only one of them is used.
 - The required speaker impedance of the front speakers differs depending on whether or not a center and/or rear speakers are connected at the same time. Since there are four possible speaker connections with the receiver, check which one fits your case and use the speaker with the impedance described below.



Connecting the subwoofer speaker

Connect the input jack of a powered subwoofer to the SUBWOOFER OUT jack on the rear panel, using a cable with RCA pin plugs.



Powered subwoofer

Connecting Audio/Video Components

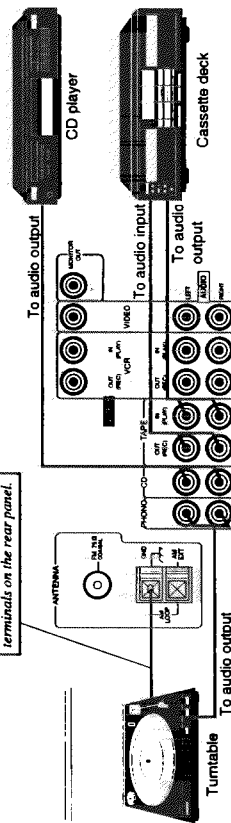
You can connect the following components to the receiver using cables with RCA pin plugs.

Audio Components	Video Components
• Turntable	• VCR
• CD player	• Video disc player
• Cassette deck	• TV

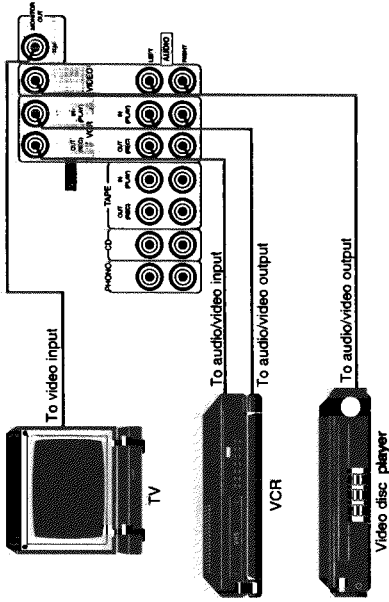
Note: Any turntables incorporating a small-output cartridge such as an MC (moving-coil type) must be connected to the receiver through a commercial head amplifier or step-up transformer. Direct connection may result in insufficient volume.

Audio component connections

If a ground cable is provided for your turntable, connect the cable to the GND terminal of the AM LOOP terminals on the rear panel.



Video component connections



CAUTION:

If you connect a sound-increasing device such as a graphic equalizer between the source components and the receiver, the sound output through the receiver may be distorted.

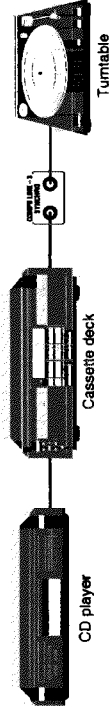
Connecting Audio Components for the COMPU LINK-3 Remote Control System

The COMPU LINK-3 remote control system allows you to control other JVC audio components from the receiver or vice versa. To use this system, connect your JVC audio components and the receiver with the cable (monaural mini-plug) supplied with those components.

If your audio component has two COMPU LINK-3 SYNCHRO jacks, you can use either one. If it has only one COMPU LINK-3 SYNCHRO jack, connect it so that it is the last item in the series of components (for example, the turntable and the CD player in the diagram below).

Notes:

- The COMPU LINK-3 remote control system is the upgraded version of the COMPU LINK-1 and COMPU LINK-2. Even if your component has the COMPU LINK-1 or COMPU LINK-2 jacks, you can still connect it in the COMPU LINK-3 remote control system, but some functions may not work correctly.
- For more information about the COMPU LINK-3 (-1 and -2) remote control system, see page 27.



Basic Operations

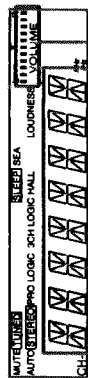
The following operations are commonly used when you play any sound source.

Turning the Power On and Off (Standby)

On the front panel:

To turn on the power, press **STANDBY/ON** \odot /I.

The **STANDBY** lamp goes off. The name of the current source (or station frequency) appears on the display.



Current source name appears. Current volume level is shown here

To turn off the power (into standby mode), press **STANDBY/ON** \odot /I again.

The **STANDBY** lamp lights up.

From the remote control:

To turn on the power, press **AUDIO**.

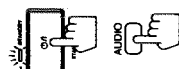
The **STANDBY** lamp goes off. The name of the current source (or station frequency) appears on the display.

To turn off the power (into standby mode), press **AUDIO** again.

The **STANDBY** lamp lights up.

Note:

Pressing **STANDBY/ON** \odot /I again turns off the power (into standby mode) and lights the **STANDBY** lamp. A small amount of power is consumed in standby mode. To turn the power off completely, press **POWER** to set it in the **OFF** position on the front panel.



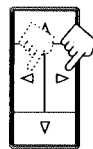
Selecting the Source to Play

On the front panel:

1. Press **SOURCE** so that **Control** Δ / ∇ buttons work for selecting the source.

The lamp above the button lights up.

2. Press **Control** Δ / ∇ until the source name you want appears on the display.



From the remote control:

Press one of the source button directly.

- CD*** Listen to the CD player.
- TAPE*** Listen to the cassette deck connected to the TAPE jacks.
- FM/AM*** Listen to an FM or AM (MW/LW) broadcast.
- VCR** View the video component connected to the VCR jacks.
- VIDEO** View the video component connected to the VIDEO jacks.
- PHONO*** Listen to a record.

Note:

* When you press one of the source buttons on the remote control marked above with an asterisk, the receiver automatically turns on.



Connecting the Power Cord

Before plugging the receiver into an AC outlet, make sure that all connections have been made.

1. Plug the power cord into an AC outlet.
2. Press **POWER** to set it in the **ON** position. The **STANDBY** lamp lights up. A small amount of power is always consumed.



To shut off the power completely:
Press **POWER** to set it in the **OFF** position.

Keep the power cord away from the connecting cables for the TV, VCR, and antenna. The power cord may cause noise or screen interference. We recommend that you use a coaxial cable to connect the antenna, since it is well-shielded against interference.

The difference between the **POWER** switch and the **STANDBY/ON** \odot /I button

- The **POWER** switch is the mains supply switch, allowing the receiver to connect to the mains supply. To shut off the power completely, press the **POWER** switch to set it in the **OFF** position.
- The **STANDBY/ON** \odot /I button is a functional on/off (standby) switch, and does not disconnect the receiver from the mains supply. A small amount of power is consumed even in standby mode for the receiver to accept signals from the remote control.

Note:

The preset settings such as preset channel and sound adjustment may be erased in the following cases:

- When you press **POWER** to set it in the **OFF** position.
- When you unplug the power cord.
- When a power failure occurs.

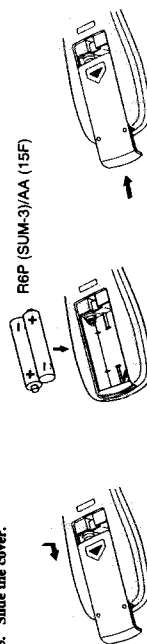
CAUTIONS:

- Do not touch the power cord with wet hands.
- Do not pull on the power cord to unplug the receiver. When unplugging the receiver, always grasp the plug itself so as not to damage the cord.

Putting Batteries in the Remote Control

Before using the remote control, put the two supplied batteries in first. When using the remote control, aim the remote control directly at the remote sensor on the receiver.

1. On the back of the remote control, press down on the battery cover and slide it out.
2. Insert batteries. Make sure to observe the proper polarity: (+) to (+) and (-) to (-).
3. Slide the cover.



If the range or effectiveness of the remote control decreases, replace the batteries. Use two R6P (SUM-3)/AA (15F) type dry-cell batteries.

CAUTIONS:

- Follow these precautions to avoid leaking or cracking cells:
- Place batteries in the remote control so they match the polarity indicated: (+) to (+) and (-) to (-).
 - Use the correct type of batteries. Batteries that look similar may differ in voltage.
 - Always replace both batteries at the same time.
 - Do not expose batteries to heat or flame.

Selecting the Front Speakers

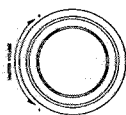
When you have connected two sets of front speakers, you can select which to use. Pressing SPEAKERS 1 or SPEAKERS 2 activates the respective set of speakers.

- To use the set of speakers connected to the FRONT SPEAKERS ① terminals, press SPEAKERS 1 to set it in the **ON** position, and press SPEAKERS 2 to set it in the **OFF** position.
- To use the set of speakers connected to the FRONT SPEAKERS ② terminals, press SPEAKERS 2 to set it in the **ON** position, and press SPEAKERS 1 to set it in the **OFF** position.
- To use both sets of speakers, press both SPEAKERS 1 and 2 to set them in the **ON** position.
- To use neither set of speakers, press both SPEAKERS 1 and 2 to set them in the **OFF** position.



Note: When only one set of the front speakers is connected to either the FRONT SPEAKERS ① or ② terminals, do not press both SPEAKERS 1 and 2 to set them in the **ON** position. If you do, no sound comes out of the front speakers.

Adjusting the Volume



On the front panel:
 To increase the volume, turn MASTER VOLUME clockwise.
 To decrease the volume, turn it counterclockwise.

When you turn MASTER VOLUME rapidly, the volume level also changes rapidly. When you turn MASTER VOLUME slowly, the volume level also changes slowly.

On the front panel



From the remote control

From the remote control:

- To increase the volume, press VOLUME +.
- To decrease the volume, press VOLUME -.

CAUTION:

Always set the volume to the minimum before starting any source. If the volume is set at its high level, the sudden blast of sound energy can permanently damage your hearing and/or ruin your speakers.

Muting the Sound



From the remote control only:
 Press MUTE to mute the sound through all speakers and headphones connected. "MUTE" appears on the display and the volume turns off.

To restore the sound, press MUTE again so that "OFF" appears on the display. Turn MASTER VOLUME or pressing VOLUME +/- also restores the sound at the previous volume level.

Recording a Source

You can record any source playing through the receiver to a cassette deck connected to the TAPE jacks and VCR connected to the VCR jacks at the same time. While recording, you can listen to the selected sound source at whatever sound level you like, without affecting the sound levels of the recording.

Note: The output volume level, preset SEA, and surround modes cannot affect the recording.

Listening with Headphones

A standard pair of headphones can be connected to the PHONES jack on the front panel. Be sure to turn down the volume before connecting or putting on headphones, as high volume can damage both the headphones and your hearing.



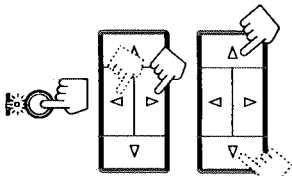
To listen with only headphones
 Press both SPEAKERS 1 and 2 to set them in the **OFF** position.

Basic Settings

Some of the following settings are required after connecting and positioning your speakers in your listening room, while others will make operations easier.

Adjusting the Front Speaker Output Balance

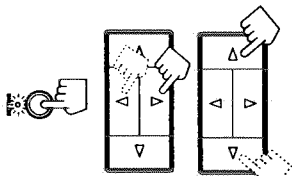
If the sounds you hear from the front right and left speakers are unequal, you can adjust the speaker output balance.



- On the front panel only:**
1. Press **SETTING** so that the Control $\Delta / \nabla / \triangleleft / \triangleright$ buttons work for adjusting the balance. The lamp above the button lights up.
 2. Press Control Δ / ∇ until "BALANCE" appears on the display.
 3. Press Control $\triangleleft / \triangleright$ to adjust the balance.
 - Pressing Control \triangleleft decreases the right channel output.
 - Pressing Control \triangleright decreases the left channel output.

Listening at Low Volume (Loudness)

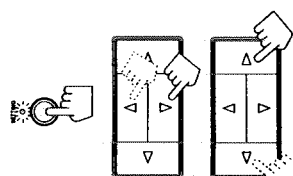
Human ears are not sensitive to bass at low volume. To compensate for this, the loudness function automatically boosts the bass level as you lower the volume.



- On the front panel only:**
1. Press **SETTING** so that the Control $\Delta / \nabla / \triangleleft / \triangleright$ buttons work for setting the loudness. The lamp above the button lights up.
 2. Press Control Δ / ∇ until "LOUDNESS" appears on the display.
 3. Press Control $\triangleleft / \triangleright$ to set the loudness function to "ON" or "OFF."
 - Select "ON" to activate the loudness function. The LOUDNESS indicator lights up on the display.
 - Select "OFF" to cancel it. The indicator goes off.

Using the Sleep Timer

Using the Sleep Timer, you can fall asleep to music and know the receiver will turn off by itself rather than play all night.



- On the front panel only:**
1. Press **SETTING** so that the Control $\Delta / \nabla / \triangleleft / \triangleright$ buttons work for setting the Sleep Timer. The lamp above the button lights up.
 2. Press Control Δ / ∇ until "<SLEEP>" appears on the display.
 3. Press Control $\triangleleft / \triangleright$ to set the shut-off time. Each time you press the button, the shut-off time on the display changes as follows, and the SLEEP indicator lights up on the display.

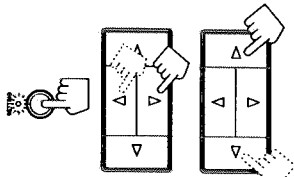


When the shut-off time comes, the receiver turns off (into standby mode) automatically.

- To check or change the time remaining until the shut-off time:**
1. Press **SETTING** if necessary, so that the Control $\Delta / \nabla / \triangleleft / \triangleright$ buttons work for setting the Sleep Timer.
 2. Press Control Δ / ∇ if necessary, until "<SLEEP>" appears on the display.
 3. Press Control $\triangleleft / \triangleright$.
- The remaining time until the shut-off time appears in minutes.
- To change the shut-off time, press Control $\triangleleft / \triangleright$ repeatedly.

To cancel the Sleep Timer, press Control $\triangleleft / \triangleright$ repeatedly in step 3 above until "0" appears on the display. (The SLEEP indicator goes off.)

Turning off the power (into standby mode) also cancels the Sleep Timer.



Selecting the Center Speaker Size

You can register the information about the center speaker after all connections are completed. If you do this registration first, you do not have to adjust the center speaker mode when you want to activate the surround sound.

To register the information, first you have to set the surround mode either to "PROLOGIC" or "3CHLOGIC." (You cannot select the center speaker size when the surround mode is "OFF" or "HALL.")

On the front panel only:

1. Press **SURROUND** so that the Control Δ / ∇ buttons work for selecting the surround mode. The lamp above the button lights up.
2. Press Control Δ / ∇ until "PROLOGIC" or "3CHLOGIC" appears on the display. The indicator of the selected mode also lights up on the display.
3. Press **SETTING** so that the Control $\Delta / \nabla / \triangleleft / \triangleright$ buttons work for selecting the center speaker size. The lamp above the button lights up.
4. Press Control Δ / ∇ until "CNTR SPK" (Center Speaker) appears on the display. Each time you press the button, the display changes to show the following:



LARGE	Select this mode when the size of the center speaker is the same as that of the front speakers.
SMALL	Select this mode when the size of the center speaker is smaller than that of the front speakers.
NO	Select this mode when you do not use a center speaker. (This mode cannot be selected when you select "3CHLOGIC.")

Note: This "center speaker size" setting is so related to the center mode setting for the Dolby Surround that changing this setting affects and changes the center mode to a relevant mode, and vice versa.

- For example:**
- If you select "LARGE," the center mode is automatically set to "WIDE," and vice versa.
 - If you select "SMALL," the center mode is automatically set to "NORMAL," and vice versa.
 - If you select "NO," the center mode is automatically set to "PHANTOM," for PROLOGIC, and vice versa.

One Touch Operation

This receiver can memorize the optimum sound setting for each playing source.

About the One Touch Operation

JVC's One Touch Operation function is used to assign and store different sound settings for each different playing source. By using this function, you do not have to change the settings every time you change the source. The stored settings for the newly selected source are automatically recalled.

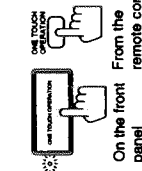
The following can be stored for each source:

- Volume level (see page 11)
- Balance (see page 13)
- Loudness (see page 13)
- Preset SEA modes (see page 18)
- Surround mode settings (see page 20)

Note:

If the source is FM or AM (MW/LW), the One Touch Operation function works only when preset channels from 1 - 20 are turned in. You can assign a different setting for each preset channel.

Using the One Touch Operation



On the front panel

From the remote control

To store the sound settings:

1. Press ONE TOUCH OPERATION.
The ONE TOUCH OPERATION lamp lights up, then the previously memorized settings are recalled and appear on the display in turn.
2. Adjust the sound using the functions listed above.
The newly adjusted settings are memorized.

To recall the sound settings:

With the ONE TOUCH OPERATION lamp lit, the settings for the currently selected source is recalled, and appears on the display when the source is selected.

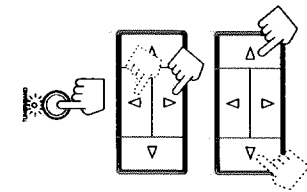
To cancel the One Touch Operation function:

Press ONE TOUCH OPERATION so that the lamp goes off. (Even though the One Touch Operation function is cancelled, the recalled sound effects remain active.)

Receiving Radio Broadcasts

You can browse through all the stations or use the preset function to go immediately to a particular station.

Tuning in Stations Manually



On the front panel only:

1. Press TUNER/BAND so that the Control Δ / ∇ / \triangleleft / \triangleright buttons work for tuner settings.
The indicator above the button lights up.
2. Press Control Δ / ∇ until "**FM AMS**" appears on the display.
3. Press Control \triangleleft / \triangleright to select the band.
Each time you press the button, the band alternates between FM and AM (MW/LW).
4. Press Control Δ / ∇ until "**TUNING+**" appears on the display.
5. Press Control \triangleleft / \triangleright until you find the frequency you want.
 - Pressing Control \triangleleft decreases the frequency.
 - Pressing Control \triangleright increases the frequency.

Notes:

- When you hold down Control \triangleleft / \triangleright in step 5, the frequency keeps changing until you press Control \triangleleft / \triangleright again or a station is tuned in.
- When a station of sufficient signal strength is tuned in, the TUNED indicator lights up on the display.
- When an FM stereo program is received, the STEREO indicator also lights up.

Using Preset Tuning

Once a station is assigned to a channel number, the station can be quickly tuned. You can preset up to 40 stations at random.

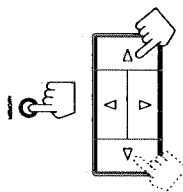
Storing the preset stations

On the front panel only:

1. Tune in the station you want to preset (see above).
If you want to store the FM reception mode for this station, select the FM reception mode you want. See page 17 for details.
2. Press MEMORY.
"CH" appears and the channel number position starts flashing on the display for about 5 seconds.
3. Press Control \triangleleft / \triangleright to select a channel number while the channel number position is flashing.
 - Pressing Control \triangleleft decreases the number.
 - Pressing Control \triangleright increases the number.

Note:

You can press 10 keys on the remote control to select a channel number in this step if you have pressed FM/AM prior to starting this preset procedure.
For channel number 5, press 5. For channel number 15, press +10 then 5.
For channel number 20, press +10 then 10. For channel number 30, press +10, +10 then 10.



4. Press MEMORY again while the selected channel number is flashing on the display.
The selected channel number stops flashing. The station is assigned to the selected channel number.
5. Repeat steps 1 to 4 until you store all the stations you want.

Using the Preset SEA Modes

The preset SEA (Sound Effect Amplifier) modes give you control over the way your music sounds.

Note:
The preset SEA mode cannot be used for recording.

Selecting Your Favorite SEA Mode

On the front panel:

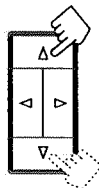
1. Press **PRESET SEA** so that the Control $\Delta / \nabla / \triangleleft / \triangleright$ buttons work for preset SEA setting. The lamp above the button lights up.
2. Press Control Δ / ∇ until the mode you want appears on the display. The SEA indicator also lights up on the display. Each time you press the button, the preset SEA modes change as follows:
MOVIE \leftrightarrow **SPORTS** \leftrightarrow **MUSIC** \leftrightarrow **OFF**



Note:

When you turn on the preset SEA mode, the mode and its effect level previously selected is recalled at first.

3. Press Control $\triangleleft / \triangleright$ to select the effect level. Each time you press the button, the effect level changes as follows:
MOVIE 1 \leftrightarrow **MOVIE 2** \leftrightarrow **MOVIE 3**



When "SPORTS" is selected:

SPORTS1 \leftrightarrow **SPORTS2** \leftrightarrow **SPORTS3**

When "MUSIC" is selected:

JAZZ 1 \leftrightarrow **JAZZ 2** \leftrightarrow **ROCK 1** \leftrightarrow **ROCK 2** \leftrightarrow **COUNTRY2** \leftrightarrow **COUNTRY1** \leftrightarrow **MUSICAL2** \leftrightarrow **MUSICAL1**

MOVIE	Adds breadth to sounds so you feel like you are in a movie theater.
SPORTS	Makes sound exciting.
MUSIC	Select one of the modes below: JAZZ: Gives a feeling of a live atmosphere. Good for acoustic music. ROCK: Gives a heavy sound. Both high and low frequencies are boosted. MUSICAL: Enhances the mid-frequency range, which the human voice is mostly made up of. COUNTRY: Enhance the high-frequency range so that instruments such the violin and banjo are emphasized.
OFF	No preset SEA mode is applied. (See below)

To cancel the preset SEA mode, select "OFF" in step 2 above. The SEA indicator goes off from the display.

To cancel a stored preset station
Storing a new station on a used number erases the previously stored one.

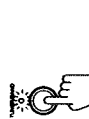
CAUTION:

- The preset channels may be erased in the following cases:
- When you press **POWER** to set it in the **OFF** position.
 - When you unplug the power cord.
 - When a power failure occurs.

Tuning in a Preset Station

On the front panel:

1. Press **TUNER/BAND** so that the Control $\Delta / \nabla / \triangleleft / \triangleright$ buttons work for tuner settings. The lamp above the button lights up.
2. Press Control Δ / ∇ until "PRESET+" appears on the display.
3. Press Control $\triangleleft / \triangleright$ to select a preset channel. Each time you press the button, the preset channels change.
 - Pressing Control \triangleleft changes preset channel in decreasing order.
 - Pressing Control \triangleright changes preset channels in increasing order.

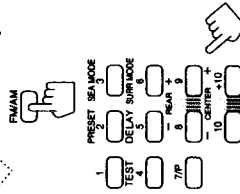


From the remote control:

1. Press **FM/AM**. The last received station of the last selected band is tuned in. Each time you press the button, the band alternates between FM and AM (MW/LW).

2. Press 10 keys to select a preset channel number.

For channel number 5, press 5. For channel number 15, press +10 then 5.
For channel number 20, press +10 then 10. For channel number 30, press +10, +10 then 10.



Selecting the FM Reception Mode

You can change the FM reception mode while receiving an FM broadcast.

On the front panel only:

1. Press **TUNER/BAND** so that the Control $\Delta / \nabla / \triangleleft / \triangleright$ buttons work for tuner settings. The lamp above the button lights up.
2. Press Control Δ / ∇ until "FM MODE" appears on the display.
3. Press Control $\triangleleft / \triangleright$ to select either "FM AUTO" or "FM MONO."
 - Normally select "FM AUTO."
 - When an FM stereo broadcast is hard to receive or noisy, select "FM MONO."



FM AUTO	When a program is broadcast in stereo, you will hear stereo sound; when in monaural, you will hear monaural sounds. This mode is also useful to suppress static noise between stations. The MUTE AUTO indicator lights up on the display.
FM MONO	Reception will be improved although you will lose the stereo effect. In this mode, you will hear noise while tuning into the stations. The MUTE AUTO indicator goes off on the display.

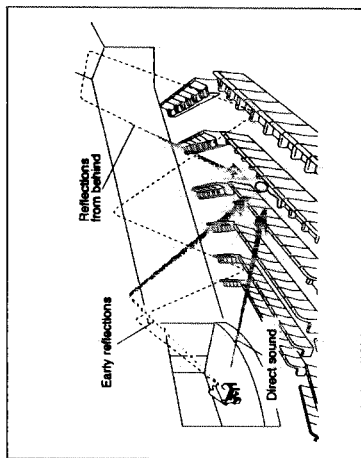
Note:
You can store the FM reception mode for each preset station.

Using the Surround Processor

The built-in surround processor provides three types of surround programs — Dolby Pro Logic, Dolby 3-Channel Logic, and JVC's Hall Surround.

What is surround?

The sound heard in a concert hall or a movie theater consists of direct sound and indirect sound: early reflections and reflections from behind. The reflected sounds are always delayed by the distances of the ceiling and walls from the listener. These reflections are some of the most important elements of the acoustic surround.



On JVC's Hall Surround

In order to reproduce a more realistic sound field in your listening room while playing an ordinary stereo source, JVC's Hall Surround has been designed to give you clear vocals and to create the feeling of a concert hall. The sound is reproduced through the front speakers and rear speakers.

On Dolby Surround

Dolby Surround has been also developed to reproduce the important elements of the acoustic surround at home. To watch the soundtracks of video software bearing the mark **DOLBY SURROUND** which includes the same encoded surround information as found in Dolby Stereo films, the receiver can provide you with 2 Dolby Surround programs (Dolby Pro Logic and Dolby 3ch Logic).
Dolby Pro Logic: Select this mode when the optional rear speakers are connected (as well as a center speaker).
Dolby 3ch Logic: Select this mode when a center speaker is connected without rear speakers.

Notes:

- The surround processor has no effect on monaural sources.
- The surround processor cannot be used for recording.

* Manufactured under license from Dolby Laboratories Licensing Corporation. "Dolby," the double-D symbol, and "Pro Logic" are trademarks of Dolby Laboratories Licensing Corporation.

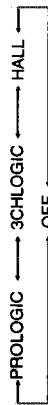
Using JVC's Hall Surround

You need to connect one set of rear speakers to obtain the full effect. Once you have adjusted the Hall Surround, the receiver memorizes the settings.

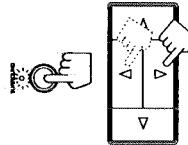
On the front panel:

1. Press SURROUND so that the Control $\Delta / \nabla / \triangleleft / \triangleright$ buttons work for selecting the surround modes.
The lamp above the button lights up.

2. Press Control Δ / ∇ until "HALL" appears on the display. The HALL indicator also lights up on the display. Each time you press the button, the surround modes change as follows:



The indicator of the selected surround mode lights up in turn as you select the surround modes.



From the remote control:

1. Press SEA ON/OFF so that the SEA indicator lights up on the display. The previously selected mode is recalled (at its previous effect level) and is shown on the display. Each time you press the button, the preset SEA mode turns on and off.

Note:

When selecting the preset SEA mode, the display will show the current effect level of the preset SEA mode selected.

2. Press AUDIO CONTROL so that 10 keys work for adjusting the sound.

3. Press SEA MODE until the mode you want appears on the display. Each time you press the button, the three preset SEA modes change as follows:



4. Press PRESET to select the effect level. Each time you press the button, the effect level changes as follows:

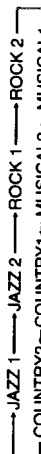
When "MOVIE" is selected:



When "SPORTS" is selected:



When "MUSIC" is selected:



To cancel the preset SEA mode, press SEA ON/OFF so that the SEA indicator goes off from the display. Each time you press the button, the preset SEA mode turns on and off.



Speaker Arrangements for Dolby Surround

The following illustrations show how to obtain the optimum sound environment for various Dolby Surround settings. Try to find the speaker direction and location to create the optimum sound field.

CASE 1 When you have added a center speaker and rear speakers

In this case:
 1. Select "PROLOGIC."
 2. Select "NORMAL" or "WIDE" for center mode.
 See pages 23 to 25 for more details.

CASE 2 When you have added rear speakers (without a center speaker)

In this case:
 1. Select "PROLOGIC."
 2. Select "PHANTOM" for center mode.
 See pages 23 to 25 for more details.

CASE 3 When you have added a center speaker (without rear speakers)

In this case:
 1. Select "3CHLOGIC."
 2. Select "NORMAL" or "WIDE" for center mode.
 See pages 23 to 25 for more details.

3. Press ADJUST so that the Control $\Delta / \nabla / \triangleleft / \triangleright$ buttons work for surround settings. The lamp above the button lights up.

4. Press Control Δ / ∇ until "REAR +" appears on the display.

5. Press Control $\triangleleft / \triangleright$ to adjust the rear speaker output level.
 • Pressing Control \triangleleft decreases the output level up to -10 dB.
 • Pressing Control \triangleright increases the output level up to +10 dB.

6. Press Control Δ / ∇ until "DELAY +" appears on the display.

7. Press Control $\triangleleft / \triangleright$ to adjust the delay time of the rear speaker output. Each time you press the button, the delay time changes as follows:

→ DELAY 1 → DELAY 2 → DELAY 3 →

DELAY 1	Select this when the distance from you to your rear speakers is greater than that to the front speakers.
DELAY 2	Select this when the distance from you to your rear speakers is almost equal to that to the front speakers.
DELAY 3	Select this when the distance from you to your rear speakers is less than that to the front speakers.

To cancel the Hall surround, select "OFF" in step 2. The HALL indicator goes off.

From the remote control:

1. Press SURROUND ON/OFF so that one of the surround mode indicators (PRO LOGIC, 3CH LOGIC, HALL) lights up on the display. The previous mode is recalled (at its previous settings) and is shown on the display. Each time you press the button, the surround mode turns on and off.

2. Press AUDIO CONTROL so that 10 keys work for adjusting the sound.

3. Press SURR MODE until "HALL" appears on the display. The HALL indicator also lights up on the display. Each time you press the button, the surround modes change as follows:

→ PROLOGIC → 3CHLOGIC → HALL →

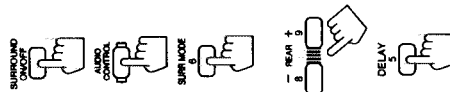
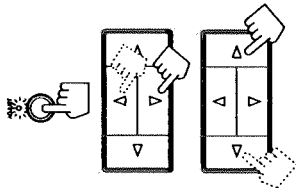
The indicator of the selected surround mode lights up in turn as you select the surround modes.

4. Press REAR +/- to adjust the rear speaker output level.
 • Pressing REAR - decreases the output level up to -10 dB.
 • Pressing REAR + increases the output level up to +10 dB.

5. Press DELAY to adjust the delay time. Each time you press the button, the delay time changes as follows:

→ DELAY 1 → DELAY 2 → DELAY 3 →

To cancel the Hall Surround, press SURROUND ON/OFF so that the HALL indicator goes off. Each time you press the button, the surround mode turns on and off.



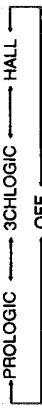
Preparing for Dolby Surround

The receiver memorizes two sets of Dolby Surround adjustments; one for Pro Logic and the other for 3ch Logic.

On the front panel:

1. Press **SURROUND** so that the Control Δ / ∇ buttons work for selecting the surround modes. The lamp above the button lights up.
2. Press Control Δ / ∇ until "PROLOGIC" or "3CHLOGIC" or "SCHLOGIC" whichever you want appears on the display.

The PRO LOGIC or 3CH LOGIC indicator also lights up. Each time you press the button, the surround modes change as follows:



The indicator of the selected surround mode lights up in turn as you select the surround modes.

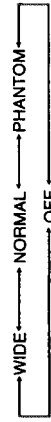
PROLOGIC	Select this mode when you use a center speaker and rear speakers.
3CHLOGIC	Select this mode when you use a center speaker without rear speakers.
HALL	This is JVC's original surround mode, and is different from Dolby Surround. To use this, see page 20.
OFF	Select this to turn off the surround mode.

3. Press **ADJUST** so that the Control $\Delta / \nabla / \triangleleft / \triangleright$ buttons work for adjusting the selected surround mode.

The lamp above the button lights up.

4. Press Control Δ / ∇ until "CNT MODE". (Center Mode) appears on the display.

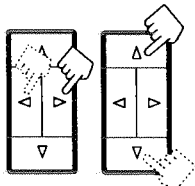
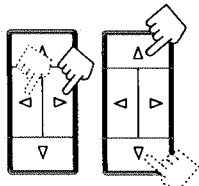
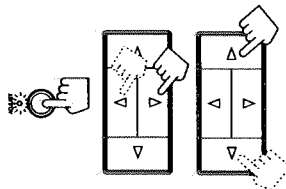
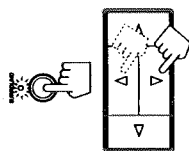
5. Press Control $\triangleleft / \triangleright$ to select the center mode. Each time you press the button, the center modes change as follows:



WIDE	Select this mode when the center speaker can reproduce the bass better than the front speakers. All signals of the center channel are output through the center speaker.
NORMAL	Select this mode when the center speaker cannot reproduce the bass better than the front speakers. The bass portions of the center channel signals are output through the front speakers.
PHANTOM	Select this mode when you do not use a center speaker. The center speaker channel signals are output through the front speakers.
OFF	Select this mode to turn off the center speaker channel.

Notes:

- If you have already set the center speaker size following the procedure described on page 14, you do not have to select the center mode in this procedure.
- When you have selected "3CHLOGIC", you cannot select "PHANTOM."



6. Press Control Δ / ∇ until "-DELAY +" appears on the display.
7. Press Control $\triangleleft / \triangleright$ to adjust the delay time of the rear speaker output. Each time you press the button, the delay time changes as follows:

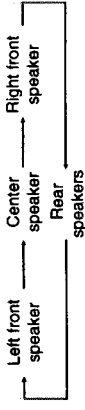


DELAY 1	Select this when the distance from you to your rear speakers is greater than that to the front speakers.
DELAY 2	Select this when the distance from you to your rear speakers is almost equal to that to the front speakers.
DELAY 3	Select this when the distance from you to your rear speakers is less than that to the front speakers.

Note:
When you have selected "3CHLOGIC", you cannot adjust the delay time.

8. Press Control Δ / ∇ until "TEST" appears on the display, then press Control $\triangleleft / \triangleright$ to start checking the speaker output balance.

"TEST" starts flashing on the display, and a test tone comes out of the speakers in the following order:



Notes:

- No test tone comes out of the rear speakers when you have selected "3CHLOGIC."
- No test tone comes out of the center speaker when you select "PHANTOM" or "OFF" for the center mode.

9. If necessary, adjust the speaker output balance as follows:

- To adjust the rear speaker output level, press Control Δ / ∇ until "- REAR +" appears on the display, then press Control $\triangleleft / \triangleright$.
- To adjust the center speaker output level, press Control Δ / ∇ until "-CENTER+" appears on the display, then press Control $\triangleleft / \triangleright$.

Notes:

- The sound levels of the left and right rear speakers will be the same.
- You cannot set the sound level of the rear speakers when you have selected "3CHLOGIC."
- You cannot set the sound level of the center speaker when you select "PHANTOM" or "OFF" for the center mode.

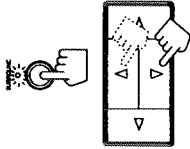
10. Press Control Δ / ∇ until "TEST" appears on the display, then press Control $\triangleleft / \triangleright$ to stop the test tone.

Using Dolby Surround

Once you have set the Dolby Surround adjustments, you can use the same adjustments every time you want to enjoy Dolby Surround.

On the front panel:

1. Press **SURROUND ON/OFF** so that the Control Δ / ∇ buttons work for selecting the surround modes. The lamp above the button lights up.
 2. Press Control Δ / ∇ until "PROLOGIC" or "3CHLOGIC" whichever you want appears on the display. The PRO LOGIC or 3CH LOGIC indicator also lights up. Each time you press the button, the surround modes change as follows:
 PROLOGIC \rightarrow 3CHLOGIC \rightarrow HALL \rightarrow OFF
 The indicator of the selected surround mode lights up in turn as you select the surround modes.
 3. Select and play a sound source which was processed with Dolby Surround and is labeled with **DOLBY SURROUND** mark.
- To cancel Dolby Surround, select "OFF" in step 2 above. The indicator of the selected mode goes off.



From the remote control:

1. Press **SURROUND ON/OFF** so that one of the surround mode indicators (PRO LOGIC, 3CH LOGIC, HALL) lights up on the display. The previous mode is recalled (at its previous settings) and is shown on the display. Each time you press the button, the surround mode turns on and off.
 2. Press **AUDIO CONTROL** so that 10 keys work for adjusting the sound.
 3. If necessary, press **SURR MODE** until "PROLOGIC" or "3CHLOGIC" whichever you want appears on the display. Each time you press the button, the surround modes change as follows:
 PROLOGIC \rightarrow 3CHLOGIC \rightarrow HALL
 The indicator of the selected surround mode lights up in turn as you select the surround modes.
 4. Select and play a sound source which was processed with Dolby Surround and is labeled with **DOLBY SURROUND** mark.
- To cancel Dolby Surround, press **SURROUND ON/OFF** so that the indicator of the selected mode goes off. Each time you press the button, the surround mode turns on and off.



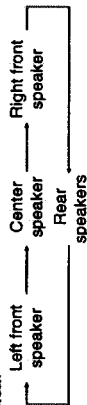
From the remote control:
 If you have already set the center speaker size following the procedure described on page 14, you can use the remote control for Dolby Surround preparation.

1. Press **SURROUND ON/OFF** so that one of the surround mode indicators (PRO LOGIC, 3CH LOGIC, HALL) lights up on the display. The previous mode is recalled (at its previous settings) and is shown on the display. Each time you press the button, the surround mode turns on and off.
2. Press **AUDIO CONTROL** so that 10 keys work for adjusting the sound.
3. Press **SURR MODE** until "PROLOGIC" or "3CHLOGIC" whichever you want appears on the display. Each time you press the button, the surround modes change as follows:
 PROLOGIC \rightarrow 3CHLOGIC \rightarrow HALL
 The indicator of the selected surround mode lights up in turn as you select the surround modes.
4. Press **DELAY** to adjust the delay time of the rear speaker output. Each time you press the button, the delay time changes as follows:
 DELAY 1 \rightarrow DELAY 2 \rightarrow DELAY 3



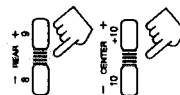
Note:
 When you have selected "3CHLOGIC," you cannot adjust the delay time.

5. Press **TEST** to start checking the speaker output balance. "TEST" starts flashing on the display, and a test tone comes out from the speakers in the following order:



- Notes:**
- No test tone comes out of the rear speakers when you have selected "3CHLOGIC."
 - No test tone comes out of the center speaker when you select "PHANTOM" or "OFF" for the center mode.

6. If necessary, adjust the speaker output balance as follows:
 - To adjust the rear speaker output level, press **REAR +/-**.
 - To adjust the center speaker output level, press **CENTER +/-**.
 Pressing - decreases the output level up to -10 dB.
 Pressing + increases the output level up to +10 dB.



- Notes:**
- The sound levels of the left and right rear speakers will be the same.
 - You cannot set the sound level of the rear speakers when you have selected "3CHLOGIC."
 - You cannot set the sound level of the center speaker when you select "PHANTOM" or "OFF" for the center mode.

7. Press **TEST** again to stop the test tone.



COMPU LINK Remote Control System

The COMPU LINK remote control system allows you to operate JVC audio components through the remote sensor on the receiver.
To use this remote control system, you need to connect JVC audio components through the COMPU LINK-3 SYNCHRO jacks with the cables (monaural mini-plug supplied with these components):



This remote control system allows you to use the four functions listed below.

Remote Control through the Remote Sensor on the Receiver

You can control JVC audio components through the remote sensor on the receiver using this remote control. Aim the remote control directly at the remote sensor on the receiver. For details, see page 28.

- Notes:**
- Without connecting the audio components with RCA pin plugs as described on page 7, the COMPU LINK remote control system cannot operate the components.
 - Refer also to the manuals supplied with your audio components.

Automatic Source Selection

When you press the play (▶) button on a connected component or on its own remote control, the receiver automatically turns on and changes its source to the component. On the other hand, if you select a new source on the receiver or the remote control, the selected component begins playing immediately. In both cases, the previously selected source continues playing without sound for a few seconds.

Automatic Power On/Off (Standby) (only possible with the COMPU LINK-3 connection)

Both the CD player and cassette deck turn on and off (into standby mode) with the receiver. When you turn on the receiver, the CD player or cassette deck will turn on automatically, depending which component has been previously selected. When you turn off the receiver (into standby mode), both the CD player and cassette deck will turn off (into standby mode).

Synchronized Recording

Synchronized recording means the cassette deck starts recording as soon as a CD or record begins playing.

To use synchronized recording, follow these steps:

- Put a tape in the cassette deck, and a disc in the CD player (or a record on the turntable).
- Press the record (●) button and the pause (||) button on the cassette deck at the same time. This puts the cassette deck into recording pause.

Note: If you do not press the record (●) button and pause (||) button at the same time, the synchronized recording feature will not operate.

Press the play (▶) button on the CD player or on the turntable.

The source changes on the receiver, and as soon as play starts, the cassette deck starts recording. When the play ends, the cassette deck enters recording pause, and stops 4 seconds later.

Notes:

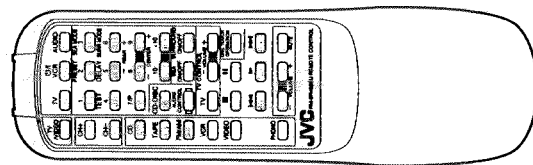
- During synchronized recording, the selected source cannot be changed.
- If your CD player is playing in program mode, a 4-second blank is recorded between tracks so that the music scan feature of your cassette deck can be used on the recorded tape.
- If the power of any component is shut off during synchronized recording, the COMPU LINK remote control system may not operate properly. In this case, you must start again from the beginning.
- Refer also to the manuals supplied with your CD player and cassette deck.

Using the Remote Control

You can operate JVC audio and video components with the receiver's remote control, since control signals for JVC components are preset in the remote control.
To operate these components with the remote control, first select a source with the source buttons on the remote control. Then, operate that source using the remote control.

IMPORTANT:

To operate JVC audio components using this remote control:
• You need to connect JVC audio components through the COMPU LINK-3 SYNCHRO jacks (see page 8) in addition to the connections using cables with RCA pin plugs (see page 7).
• Aim the remote control directly at the remote sensor on the receiver.



After pressing FM/AM, you can perform the following operations:
FM/AM
1 — 10, +10
Selects a preset channel number directly
For channel number 5, press 5.
For channel number 15, press +10, then 5.
For channel number 20, press +10, then 10.
For channel number 30, press +10, +10 then 10.

After pressing CD, you can perform the following operations on a CD player:

- Starts playing
- Returns to the beginning of the current (or previous) track
- Skips to the beginning of the next track
- Stops playing
- Pauses. To resume playing, press ▶.
- Selects a track number directly
- For track number 5, press 5.
- For track number 15, press +10, then 5.
- For track number 20, press +10, then 10.
- For track number 30, press +10, +10, then 10.

After pressing CD-DISC, you can perform the following operations on a CD player-changer: Then continue to operate the CD player as described above.

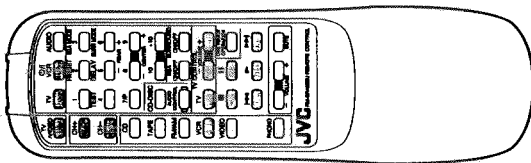
After pressing TAPE, you can perform the following operations on a cassette deck:

- Starts playback
- Fast winds a tape from right to left
- Fast winds a tape from left to right
- Stops operation
- Pauses. To resume playing, press ▶.

Troubleshooting

IMPORTANT.

- To operate JVC video components using this remote control:
- Aim the remote control directly at the remote sensor on the VCR or TV, not on the receiver.



After pressing VCR, you can perform the following operations on a VCR:

- ▶ Starts playback
 - ◀ Rewinds a video tape
 - ▶ Fast winds a video tape
 - ⏸ Stops operation
 - ⏹ Pauses. To resume playing, press ▶
 - CH+/- Changes channels on a VCR
- Without pressing VCR, you can always perform the following:
 VCR (in the ⏻ (Standby/On) section)
 Turns on/off the VCR

After pressing TV (in the TV CONTROL section), you can perform the following operations on TV:

- CH+/- Changes TV channels
- Without pressing TV (in the TV CONTROL section), you can always perform the following:
 TV/VIDEO Sets input mode (either to TV or to VIDEO)
 VOLUME +/- (in the TV CONTROL section)
 Adjusts the volume
 TV (in the ⏻ (Standby/On) section)
 Turns on/off the TV

Use this chart to help you solve daily operational problems. If there is any problem you cannot solve, contact your JVC service center.

PROBLEM	POSSIBLE CAUSE	SOLUTION
The display does not light up	The power cord is not plugged in or the ⏻ POWER switch is pressed to set in the ⏻ OFF position	Plug the power cord into an AC outlet and press ⏻ POWER to set it in the ⏻ ON position
No sound from speakers	Speaker signal cables are not connected The SPEAKERS 1 and 2 are not set correctly	Check speaker wiring and reconnect if necessary Press SPEAKERS 1 and 2 correctly
Sound from one speaker only	An incorrect source is selected Speaker signal cables are not connected properly	Select the correct source Check speaker wiring and reconnect if necessary
Continuous hiss or buzzing during FM reception	The balance is set to one extreme Incoming signal is too weak	Adjust the balance properly (see page 13) Connect an outside FM antenna or contact your dealer
	The station is too far away	Select a new station
	An incorrect antenna is used	Check with your dealer to be sure you have the correct antenna
	Antennas are not connected properly	Check connections
Occasional cracking noise during FM reception	Ignition noise from automobiles	Move the antenna farther from automobile traffic
Howling during record playing	Your turntable is too close to speakers	Move speakers away from the turntable
Remote control does not work	There is an obstruction in front of the remote sensor on the receiver Batteries are weak	Remove the obstruction Replace batteries

Specifications

Amplifier

Output Power	A1 Stereo Operation Front Channels	50 watts per channel, min. RMS, driven into 4 ohms at 1 kHz with no more than 0.9% total harmonic distortion. (IEC268-3/DIN)
		30 watts per channel, min. RMS, driven into 8 ohms at 1 kHz with no more than 0.9% total harmonic distortion. (IEC268-3/DIN)
		30 watts per channel, min. RMS, driven into 8 ohms, 40 Hz to 20 kHz with no more than 0.8% total harmonic distortion.
	A1 Surround Operation Front Channels	40 watts per channel, min. RMS, driven into 8 ohms at 1 kHz with no more than 0.8% total harmonic distortion.
	Center Channel	40 watts, min. RMS, driven into 8 ohms at 1 kHz, with no more than 0.8% total harmonic distortion.
	Rear Channels	40 watts per channel, min. RMS, driven into 8 ohms at 1 kHz, with no more than 0.8% total harmonic distortion.

Total Harmonic Distortion
(8 ohms, 1 kHz)

0.8%* at 30 watts output
(* Measured by JVC Audio Analysis System)

Frequency Response (8 ohms)

20 Hz to 20 kHz (±1 dB)
20 Hz to 20 kHz (±1 dB)

Audio Input Sensitivity/Impedance (1 kHz)

2.5 mV/47 k ohms
200 mV/47 k ohms

Audio Output Level

200 mV

Signal-to-Noise Ratio
(66 IHFDIN)

70 dB/66 dB
87 dB/67 dB

RIAA Phono Equalization
(Volume Control at -40 dB)

±0.5 dB (20 Hz to 20 kHz)
+5 ± 2 dB at 100 Hz

Video Input Sensitivity/Impedance

1 V_{p-p}/75 ohms

Video Output Level

1 V_{p-p} (at 1 V_{p-p} input)

Synchronization

negative

Signal-to-Noise Ratio

45 dB

FM tuner (IHF)

Tuning Range	87.5 MHz to 106.0 MHz
Usable Sensitivity	12.7 dBf (1.2 μV/75 ohms)
50 dB Quieting Sensitivity	16.3 dBf (1.8 μV/75 ohms)
	38.3 dBf (22.5 μV/75 ohms)
Signal-to-Noise Ratio (IHF-A weighted)	80 dB at 85 dBf
Total Harmonic Distortion	73 dB at 85 dBf
Stereo Separation at REC OUT	0.15% at 1 kHz
	0.2% at 1 kHz
Capture Ratio	40 dB at 1 kHz
Alternate Channel Selectivity	1.5 dB (10 mV)
Frequency Response	60 dB: (±400 kHz)
	30 Hz to 15 kHz: (+0.5 dB, -3 dB)

AM (MW/LW) tuner

Tuning Range	MW: LW:	522 kHz to 1,629 kHz 144 kHz to 288 kHz
Usable Sensitivity	MW: LW:	300 μV/m 30 μV 600 μV/m
Signal-to-Noise Ratio		50 dB (100 mV/m)

General

Power Requirements	AC 230V, 50 Hz
Power Consumption	240 watts 5 watts (in standby mode)
Dimensions (W x H x D)	435 x 146 x 403 mm (17 1/8 x 5 7/8 x 15 7/8 inches)
Mass	8.0 kg (17.7 lbs)

Design & specifications are subject to change without notice

Description of Major LSIs

■ MN173222JAAM2 (IC401) : System Controller

1. Terminal Layout

40 ~ 64	
1	63
}	}
21	43
22 ~ 42	

2. Key Matrix

	KEY IN 0 (PIN7)	KEY IN 1 (PIN8)	KEY IN 2 (PIN9)	KEY IN 3 (PIN10)
KEY OUT 0 (PIN15)	POWER (S401)	--	--	--
KEY OUT 1 (PIN16)	SURROUND (S402)	PRESET SEA (S403)	TUNER/BAND (S404)	SETTING (S405)
KEY OUT 2 (PIN17)	SOURCE (S406)	ADJUST (S407)	ONE TOUCH OPERATION (S408)	MEMORY (S409)
KEY OUT 3 (PIN18)	← (S410)	→ (S411)	↑ (S412)	↓ (S413)

3. Description

Pin No.	Symbol	I/O	Function	Pin No.	Symbol	I/O	Function
1,2	IN1,IN2	I	JOG VOL. control	53	CK	O	Clock signal to IC121
3	VIDEO1	O	Video select signal	54	DI	I	Data signal for IC121
4	VIDEO2	O	Video select signal	55	DO	O	Data signal to IC121
5	STD.1	O	STAND-BY indication control	56	DCSI	I	COMPULINK signal input
6	STB 3	O	Load strobe signal to IC202	57	DCSO	O	COMPULINK signal output
7~10	KI0~KI3	I	Key matrix in	58	STB2	O	Load strobe signal to IC201
11	VCR S/C	I	VCR S/C select signal	59	POWER	O	POWER ON/OFF control
12~14	G11~G9	O	Grid control signal	60	SURR	O	SURROUND ON/OFF control
15	G8/KO0	O	Grid control signal (Key matrix out)	61	STB5	O	Load strobe signal to IC641
16	G7/KO1	O	Grid control signal (Key matrix out)	62	T.MUTE	O	Tuner mute signal output
17	G6/KO2	O	Grid control signal (Key matrix out)	63	S.MUTE	O	SORCE muteing control
18	G5/KO3	O	Grid control signal (Key matrix out)	64	TV.CONT.	--	Pull down
19	G4	O	Grid control signal	65	TV OUT	--	Pull down
20	G3/KO5	O	Grid control signal (Key matrix out)	66	VCR OUT	--	Pull down
21	G2/KO6	O	Grid control signal (Key matrix out)	67	VCR IN	--	Pull down
22	G1/KO7	O	Grid control signal (Key matrix out)	68	RESTE IN	I	Reset signal input
23	V _{pp}	--	Power supply for FL display	69	X1	--	Connect to GND
24~39	S1~S16	O	Segment control signal	70	X2	--	Not used
40	STB1	O	Load strobe signal to IC321	71	V _{SS}	--	Connect to GND
41	CLK	O	Clock signal to IC201,202,252,321,601,641	72	OSC2	--	Oscillation terminal
42	STB4	O	Load strobe signal to IC252	73	OSC1	--	Oscillation terminal
43	DATA	O	Data signal to IC201,202,252,321,601,641	74	VDD	--	Power supply
44	INH	I	Inhibit signal input	75	SET.I	O	SETTING indication control
45	RDS CLK	O	Clock signal to IC191	76	ADJ.I	O	ADJUST indication control
46	RDS DATA	I	Data signal for IC191	77	SURR.I	O	SURROUND indication control
47	RDS RESET	O	Reset signal to IC191	78	SOURCE.I	O	SORCE indication control
48	RM	I	Remocon signal for IC402	79	SEA.I	O	SEA indication control
49	D-START	I	Data start signal for IC191	80	BAND.I	O	TUNER BAND indication control
50	STEREO	I	STEREO signal input	81	MUSIC.I	--	Pull up
51	TUNED	I	Tunig signal input	82	SPORTS.I	--	Pull up
52	CE	O	chip enable to IC121	83	MOVIE.I	--	Pull up
				84	ONE/I	O	ONE TOUCH OP. indication control

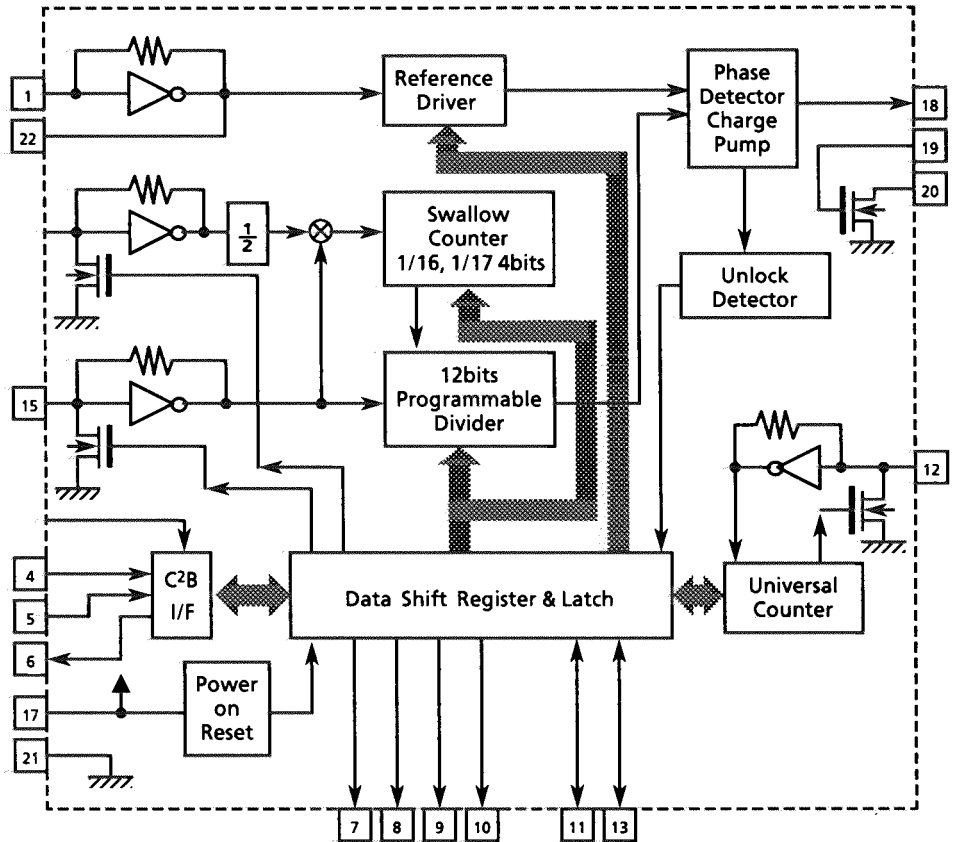
RX-430VBK

■ LC72131 (IC102) : PLL Synthesizer

1. Terminal Layout

XIN	1	22	XOUT
	2	21	VSS
PLLCE	3	20	LPF OUT
PLLDA	4	19	LPF IN
PLLCK	5	18	PD
IFDATA	6	17	VDD
$\overline{\text{FM}}$	7	16	FM OSC
$\overline{\text{MW}}$	8	15	AM OSC
$\overline{\text{LW}}$	9	14	
AUTO/MONO	10	13	IF REQ
POWER	11	12	FM/AM IF

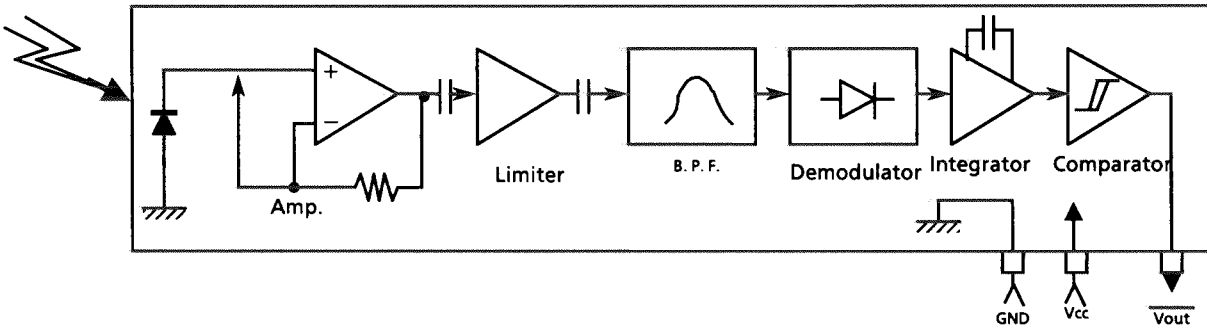
2. Block Diagram



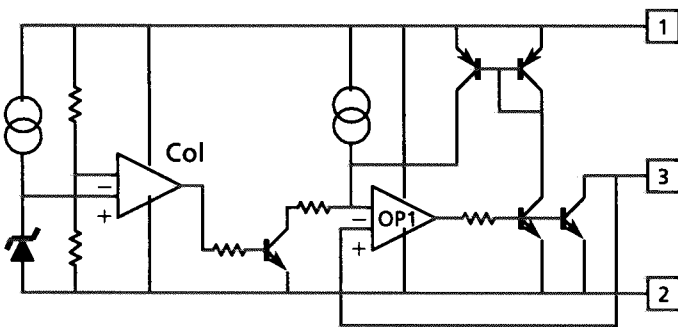
3. Pin Functions

Pin No.	Symbol	I/O	Functions	Pin No.	Symbol	I/O	Functions
1	X in	I	Crystal oscillator (7.2MHz).	12	FM/AM IF	I	Universal counter input
2		--	Not use	13	IF REQ	O	Output the "IF-signal request" to IC102
3	PLLCE	I	Fix the chip enable to "H" when inputting(DI) and outputting (DO) the serial data	14		I	Not use
4	PLLDA	I	Receive the control data from the controller (IC201).	15	AMOSC	I	Input the local oscillator signal of AM.
5	PLLCK	I	This clock is used to synchronize data when transmitting the data of DI and DO.	16	FM OSC	I	Input the local oscillator signal of FM.
6	IFDATA	O	Transmit the data from LC72131 to the controller which is synchronized with CK.	17	VDD	O	This is a terminal of power supply.
7	$\overline{\text{FM}}$	O	It is "L" on FM mode.	18	PD	O	PLL charge pump output : When the local oscillator signal frequency is higher than the reference frequency high level signals will output. When it is lower than the reference frequency, low level signals will output. When it is same as reference frequency signals, it will be floating.
8	$\overline{\text{MW}}$	O	It is "L" on MW mode.	19	LPF IN	I	Transistor used for the PLL active low-pass filter
9	$\overline{\text{LW}}$	O	It is "L" on LW mode.	20	LPF OUT	O	Transistor used for the PLL active low-pass filter
10	$\overline{\text{AUTO/MONO}}$	O	It is "L" on monaural, "H" on auto.	21	VSS	--	Connected to GND
11	POWER	O	Regulator control signal PON "H", STANDBY "L"	22	X out	O	Crystal oscillator (7.2MHz).

■ GP1U501X (IC402) : Receiver for remote controller

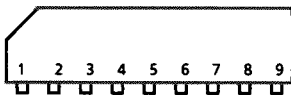


■ PST600E (IC403) : Reset IC

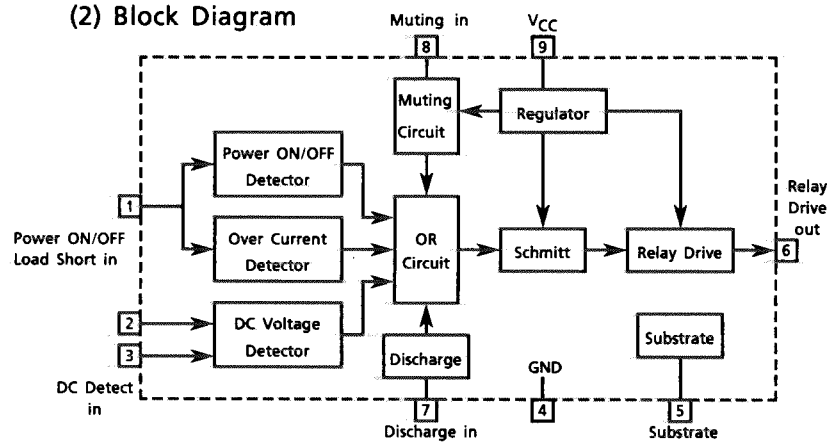


■ TA7317P (IC901) : PROTECTOR IC

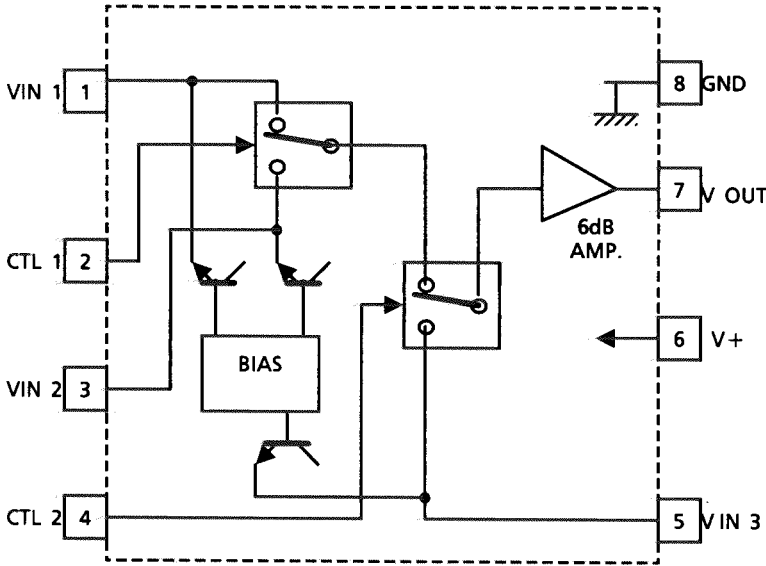
(1) Terminal Layout



(2) Block Diagram



■ NJM2246D (IC671) : Video Switch

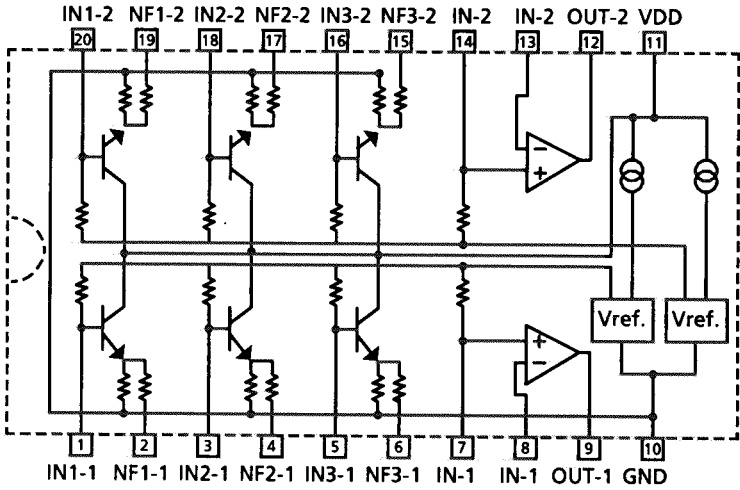


Control Signal—OutputSignal

CTL 1	CTL 2	Output
L	L	V IN 1
H	L	V IN 2
L/H	H	V IN 3

■ M5243P (IC551) : S.E.A. Graphic Equalizer

1. Functions
It makes inductive characteristic instead of coil.
2. Block Diagram



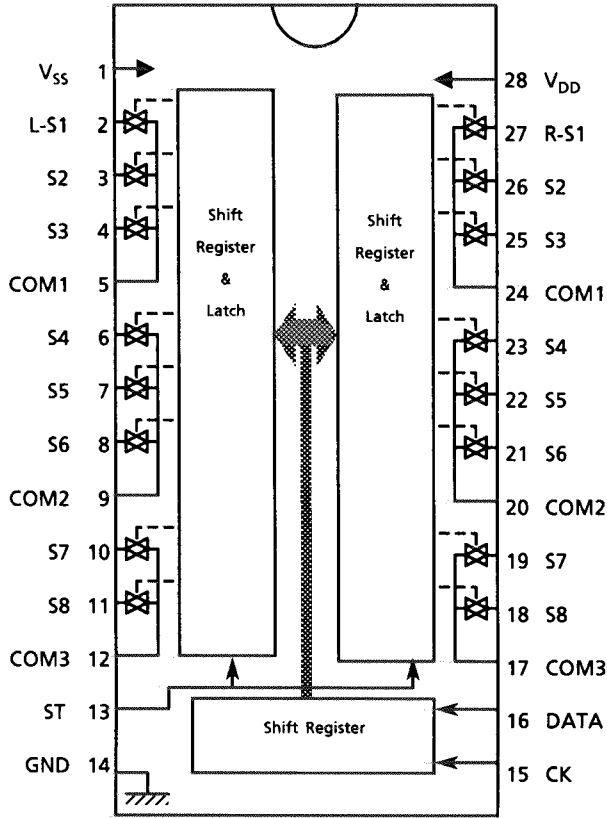
RX-430VBK

■TC9163AN(IC252) , TC9164AN(IC321) : Analog Switch

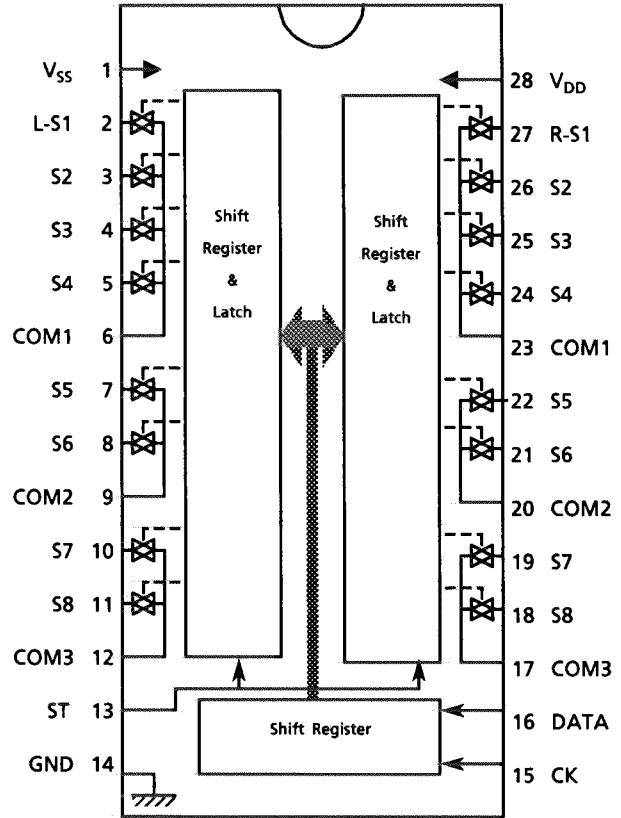
1. Functions

These analog switches are controlled by 14 bit serial data from computer for selecting the source.

2. Terminal Layout & Block diagram



TC9163AN



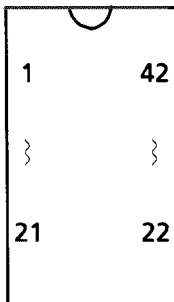
TC9164AN

3. First 10bits are used to source select. Last 4bits are chip select. The switches (S1~S8) are connected to common terminals (COM1~COM3) according to the DATA from computer.

	Chip Select Bit			
	S11	S12	S13	S14
TC9163AN	1	0	0	0
TC9164AN	0	1	0	0

■ LA2786 (IC501) : Dolby Pro Logic Surround Signal Processor

1. Terminal Layout



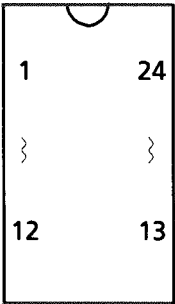
2. Pin Functions

Pin No	Symbol	I/O	Functions	Pin No	Symbol	I/O	Functions
1	NS-BPF1	--	Capacitor for spectrum filter in noise sequencer	22	VCS-1	--	Capacitor for time constant (in log differential area)
2	NS-BPF2	--	Capacitor for spectrum filter in noise sequencer	23	VCS-2	--	Capacitor for time constant (in log differential area)
3	VREF	--	Analog reference voltage	24	VCS-TH	--	Capacitor for time constant (in log differential area)
4	S-DC-OUT	--	Capacitor for DC-cut Sch	25	L+R RECT	--	Capacitor for Center channel detection
5	C-DC-OUT	--	Capacitor for DC-cut Cch	26	DC-CUT	--	Capacitor for DC-cut at detection circuit
6	L-DC-OUT	--	Capacitor for DC-cut Lch	27	L-R RECT	--	Capacitor for Surround channel detection
7	R-DC-OUT	--	Capacitor for DC-cut Rch	28	DC-CUT	--	Capacitor for DC-cut at detection circuit
8	VREF-BUFFER	--	VREF low impedance	29	R-BPF3	--	LPF,HPF for Right channel control circuit
9	L-IN	I	Left channel signal input	30	R-BPF2	--	LPF,HPF for Right channel control circuit
10	R-IN	I	Right channel signal input	31	R-BPF1	--	LPF,HPF for Right channel control circuit
11	GND	--	Ground	32	C-TRIM DC-CUT	--	Capacitor for DC-cut Center channel
12	L-BPF1	--	LPF,HPF for Lch control circuit	33	C-MODE-CAP	--	Capacitor for Center channel output low-pass filter
13	L-BPF2	--	LPF,HPF Left channel control circuit	34	C-OUT	O	Center signal output
14	L-BPF3	--	LPF,HPF Left channel control circuit	35	S-OUT	O	Surround signal output
15	DC-CUT	--	Capacitor for DC-cut at detection circuit	36	R-OUT	O	Right channel signal output
16	R RECT	--	Capacitor for Right channel detection	37	L-OUT	O	Left channel signal output
17	DC-CUT	--	Capacitor for DC-cut at detection circuit	38	VCC	--	power supply
18	L RECT	--	Capacitor for Left channel detection	39	OSC	--	Oscillation for noise sequencer and auto balance
19	VLR-TH	--	Capacitor for time constant (in log differential area)	40	STB	I	Strobe signal input
20	VLR-2	--	Capacitor for time constant (in log differential area)	41	DATA	I	Serial interface data input
21	VLR-1	--	Capacitor for time constant (in log differential area)	42	CLK	I	Serial interface clock

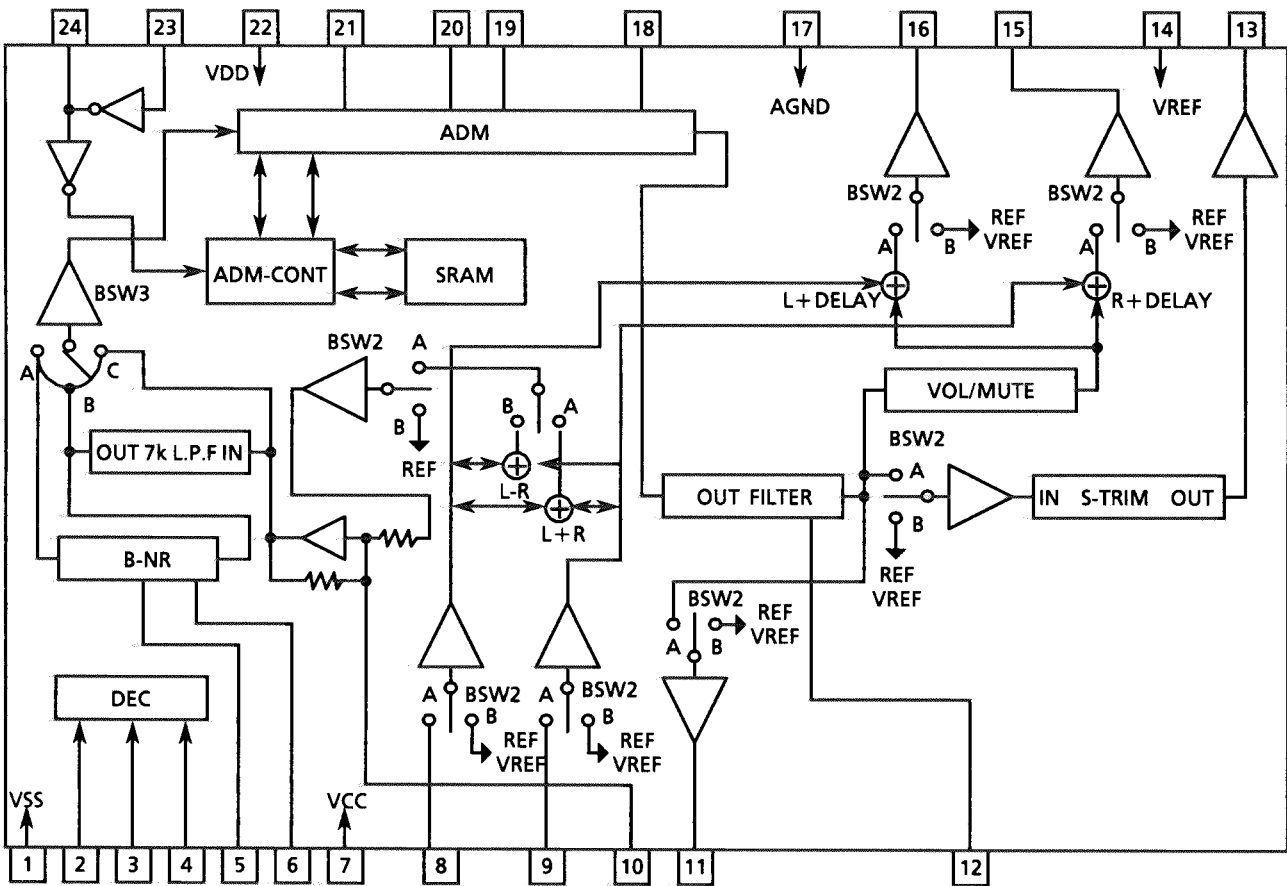
RX-430VBK

■ LV1016 (IC541) : Dolby Surround Passive Decoder

1. Terminal Layout



2. Block Diagram



3. Pin Functions

Pin No.	Symbol	I/O	Functions
1	DGND	--	Digital GND
2	CLK	I	Serial interface clock
3	DATA	I	Serial interface data input
4	STB	I	Strobe signal input
5	NR-DET	--	Capacitor for noise reduction detection
6	NR-IREF	--	Resistor for noise reduction reference current
7	VCC	--	Supply
8	L-IN	I	Left channel signal input
9	R-IN	I	Right channel signal input
10	S-IN	I	Surround signal input
11	DELAY-OUT	--	Not used
12	DC-CUT	--	Capacitor for DC-cut
13	S-OUT	O	Surround signal output
14	VREF	--	Analog reference voltage
15	R-MIX-OUT	--	Not used
16	L-MIX-OUT	--	Not used
17	ADND	--	Analog ground
18	DC-CUT	--	Capacitor for DC-cut
19	D/A	--	Capacitor for integrator
20	NOISE SHAPER	--	Capacitor for noise shaper
21	A/D	--	Capacitor for integrator
22	VDD	--	Supply for the digital section
23	OSC	--	Oscillation terminal
24	OSC	--	Oscillation terminal

Disassembly Procedures

■ Top cover removal

1. Remove 4 screws (A) on both sides of the top cover and 3 screws (B) on the rear side.(FIG.1)
2. Lift the back of the top cover spreading both sides to remove.

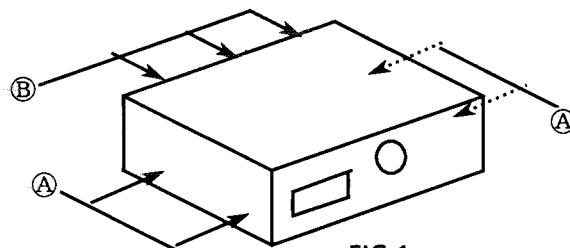


FIG.1

■ Front panel assembly removal

1. Remove the top cover.
2. Remove 3 screws (K) on the bottom side and 3 screws (C) on the top side.(FIG.2,4)
3. Disconnect the wires CN304 and CN801.
4. Cut the tie bands on the tuner p.c.board and ENC-135-6. And cut the tie bands CN801 wires.
5. Remove 2 hooks on both sides of the front panel assembly.
6. Remove the front panel assembly.

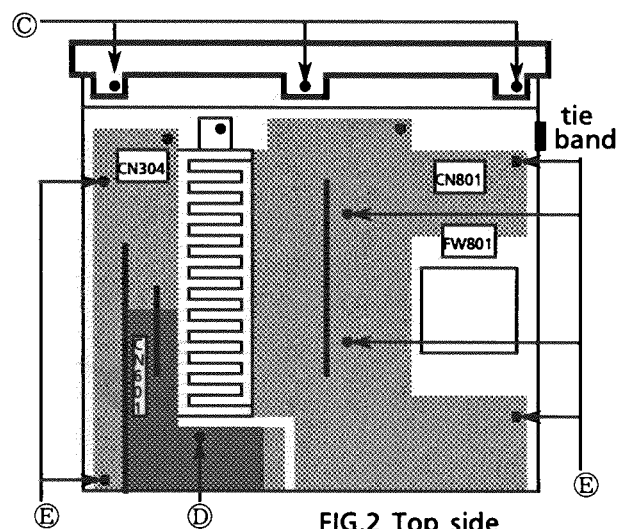


FIG.2 Top side

■ Video P.C.Board removal

1. Remove the top cover.
2. Remove 5 screws (D) and (F).(FIG.2,3)
3. Disconnect the connector CN601.
4. Remove the video P.C.Board(ENC-135-2).

■ Rear panel removal

1. Remove the top cover.
2. Remove 19 screws (F),(G),(H),(H') and (I). (Not used (H') for Universal type.) (Remove 2 screws (P).Only used Universal type.) (FIG.3)
3. Remove the power cord stopper up side.
4. Remove the rear panel.

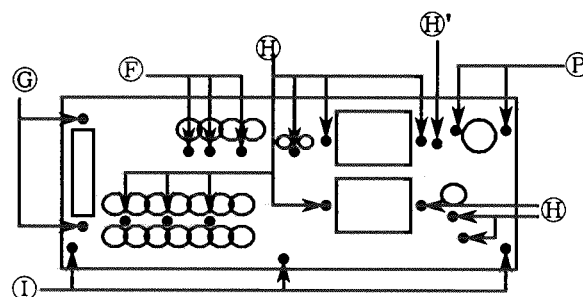


FIG.3 Rear side

■ Tuner P.C.Board removal

1. Remove the top cover.
2. Remove 2 screws (C).(FIG.3)
3. Disconnect the connector CN101.
4. Remove the tuner P.C.Board(ENA-178).

■ Main amp. P.C.Board with same P.C.Board and front panel assembly removal

1. Remove the top cover.
2. Cut the tie band bottom base left front side.
3. Remove 3 screws (L).(FIG.3)
4. Remove 4 screws (O).(FIG.4)
5. Remove 3 screws (L).(FIG.4)
6. Remove 6 screws (E).(FIG.2)
7. Lift the right side of the P.C.Board ass'y to remove the bottom base.

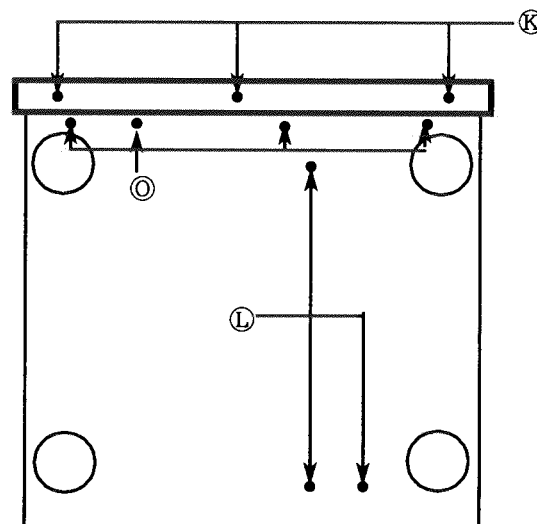


FIG.4 Bottom side

RX-430VBK

■ Front P.C. Board removal

1. Remove the top cover.
2. Remove the front panel assembly.
3. Remove the master volume knob and nut.
4. Remove 13 screws (M).(FIG.5)
5. Remove the front P.C. Board.

■ Power Transistor removal

1. Remove the top cover.
2. Remove the front panel assembly.
3. Remove the main amp. P.C.Board with same P.C.Board.
4. Unsolder the broken transistor.
5. Remove the some screws (N) fastening it.(FIG.6)

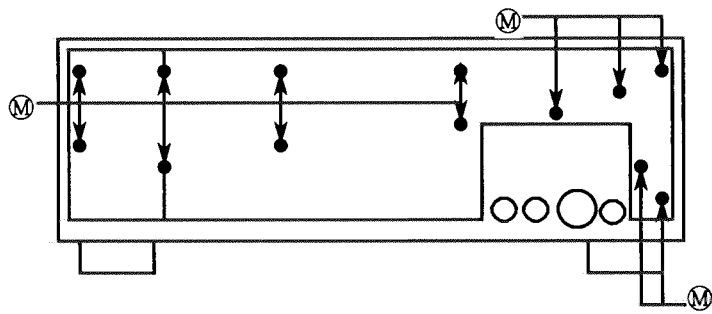


FIG.5 Front panel ass'y rear side

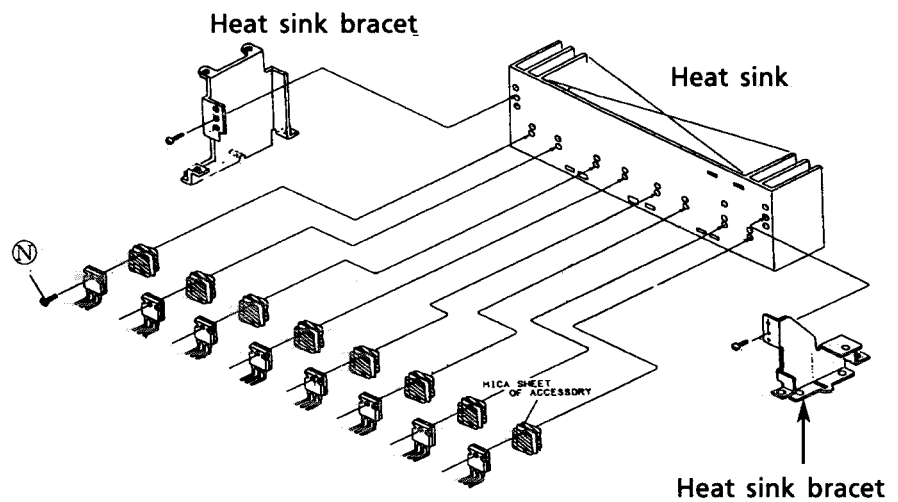
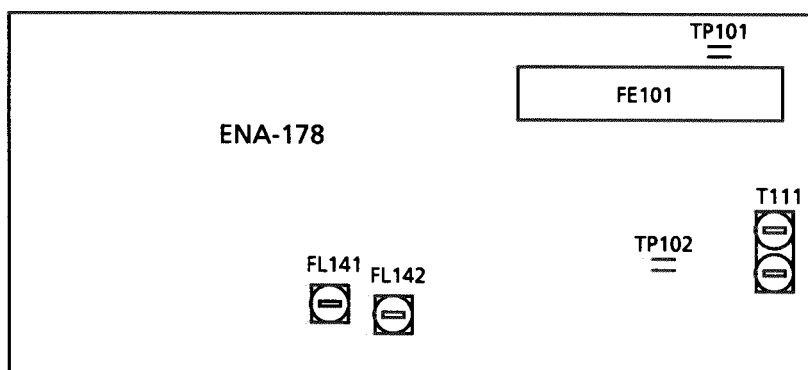


FIG.6

ADJUSTMENT PROCEDURES

■ Tuner section



Tuning range

Area	Range		
	LW (kHz)	MW (kHz)	FM (MHz)
Continental Europe, the U.K	144~288	522~1629	87.5~108.0
Universal type(AM Channel space 9kHz)	--	531~1602	87.5~108.0
Universal type(AM Channel space 10kHz)	--	530~1600	87.5~108.0

(1) Tuning Voltage

Confirm the voltages in the table at TP101.

FM Tuning voltage (Unit : V)

Area	Frequency	
	87.5MHz	108MHz
All Area	1.6 ± 1.0	8.0 ± 2.0

AM Tuning voltage (Unit : V)

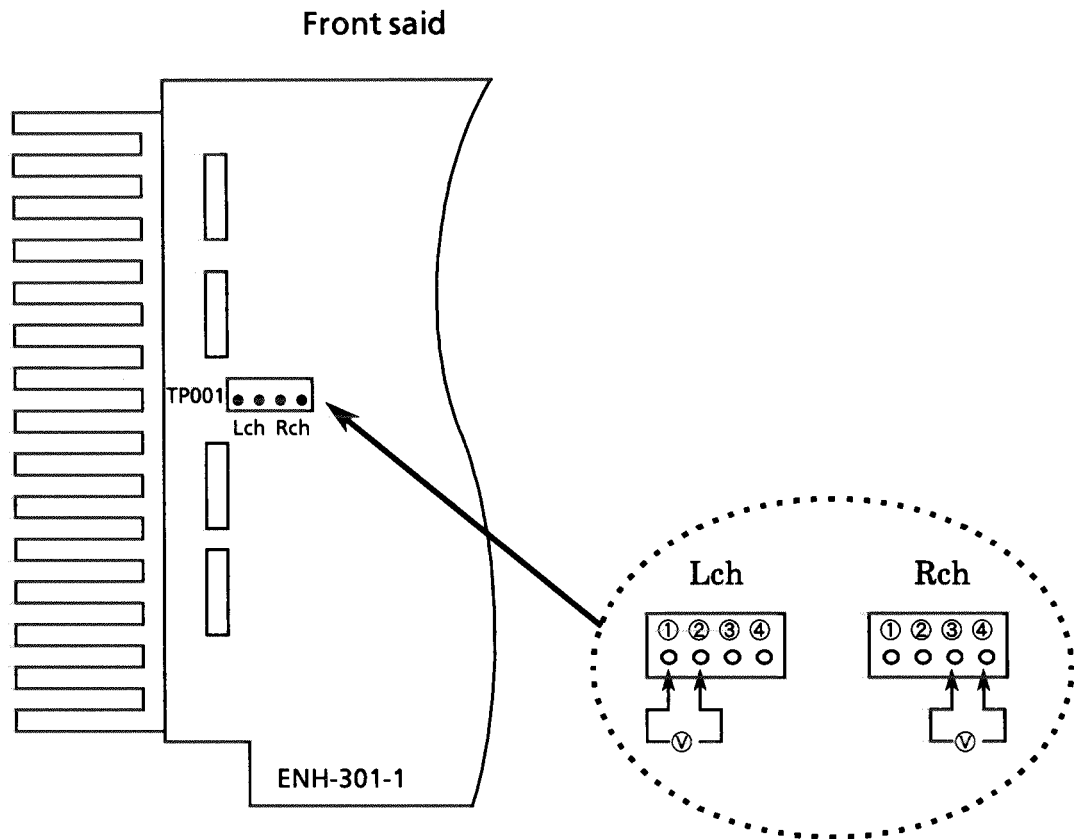
Area	Frequency (MW)						Frequency (LW)	
	522KHz	530KHz	531KHz	1600KHz	1602KHz	1629KHz	144kHz	288kHz
the U.K. , Continental Europe	>0.7	--	--	--	--	<7.9	0.5 <1.0	5.0 <7.5
Universal (Chanel space9kHz)	--	--	>0.8	--	<7.9	--	--	--
Universal (Chanel space10kHz)	--	>0.8	--	<7.9	--	--	--	--

(2) FM Center meter

Receive a broadcast by using the function of 'AUTO STOP'.

Adjust T141 (Detector coil) so that the voltage at TP102 becomes $0 \pm 1.5\text{mV}$.

■ Power Amplifier section



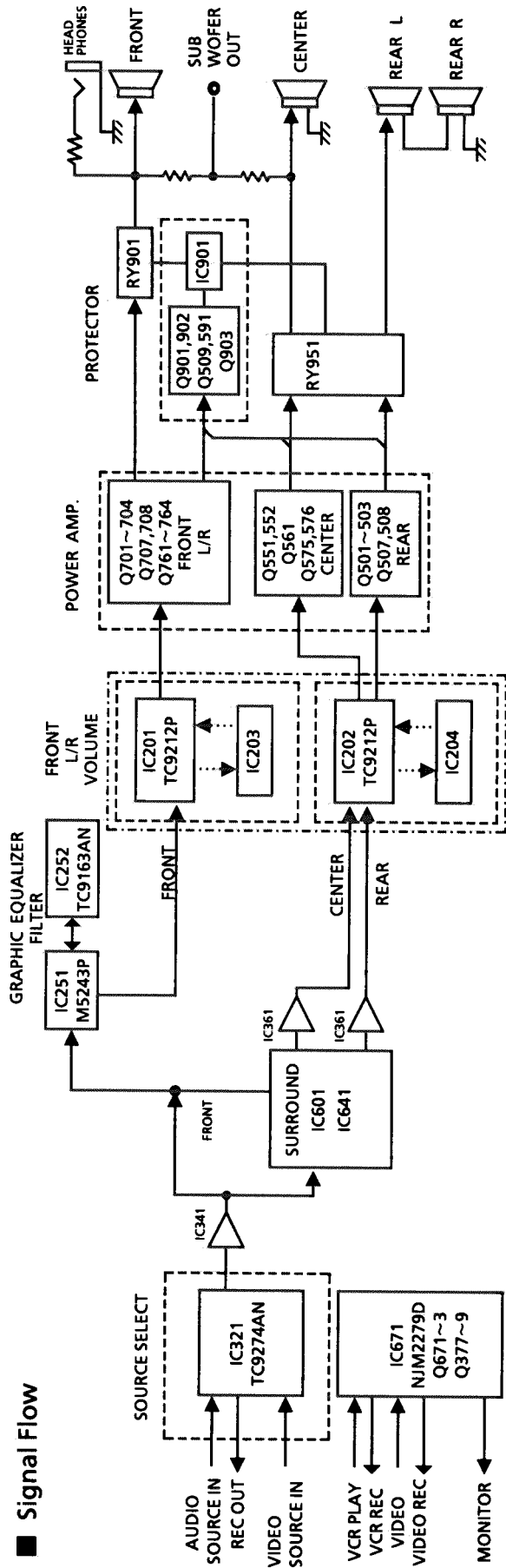
■ Idling current

- (1) Set the volume control to minimum during this adjustment.
 * Set the surround mode "ON". Areas for BS,EF,EN,G.
 * Set the surround mode "OFF". Areas for US,UT,U.
- (2) Turn VR741 and VR742 fully counterclockwise to warm up before adjustment.
 If the heatsink is already warm from previous use the correct adjustment can not be made.
- (3) For L-ch, connect a DC voltmeter between TP001's pin1 and pin2 (Lch).
 And, connect it between pin3 and pin4(Rch).
- (4) Appox. 30minutes later after power on, adjust VR741 for L-ch , or VR742 for R-ch so that the DC voltmeters value has 1mV~3mV.

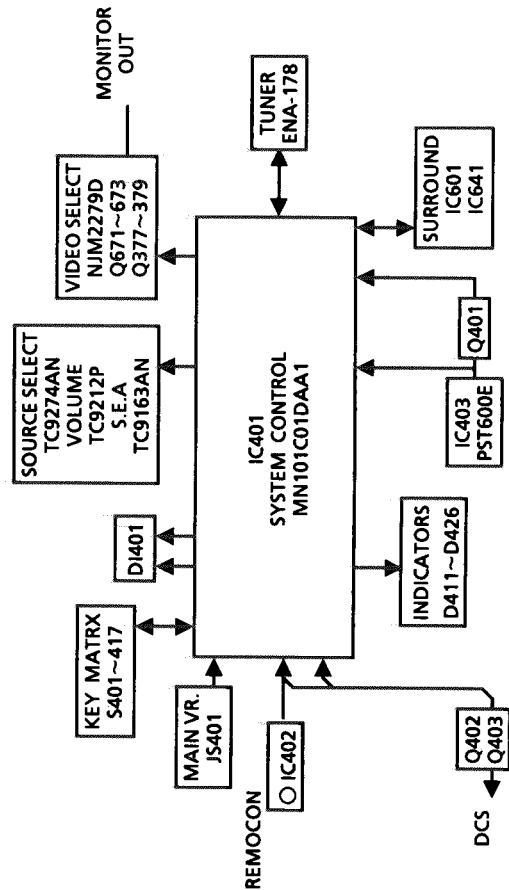
The Marks for Designated Areas								
BS	the U.K.	EF	Continental Europe	EN	...	Nordic Countries
G	Germany	US	Singapore	UT	...	Taiwan
U	Universal						
No mark indicates all area.								

Block Diagrams

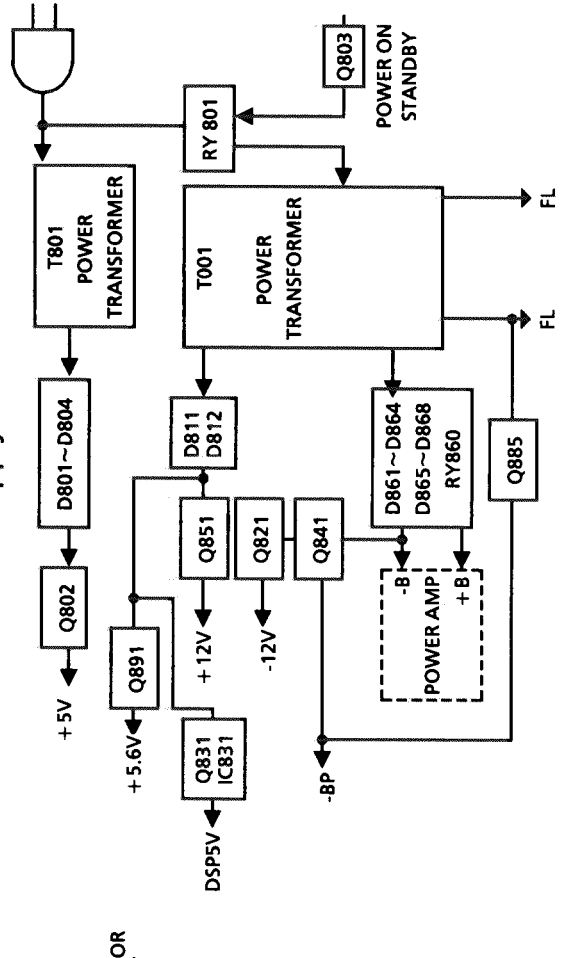
■ Signal Flow



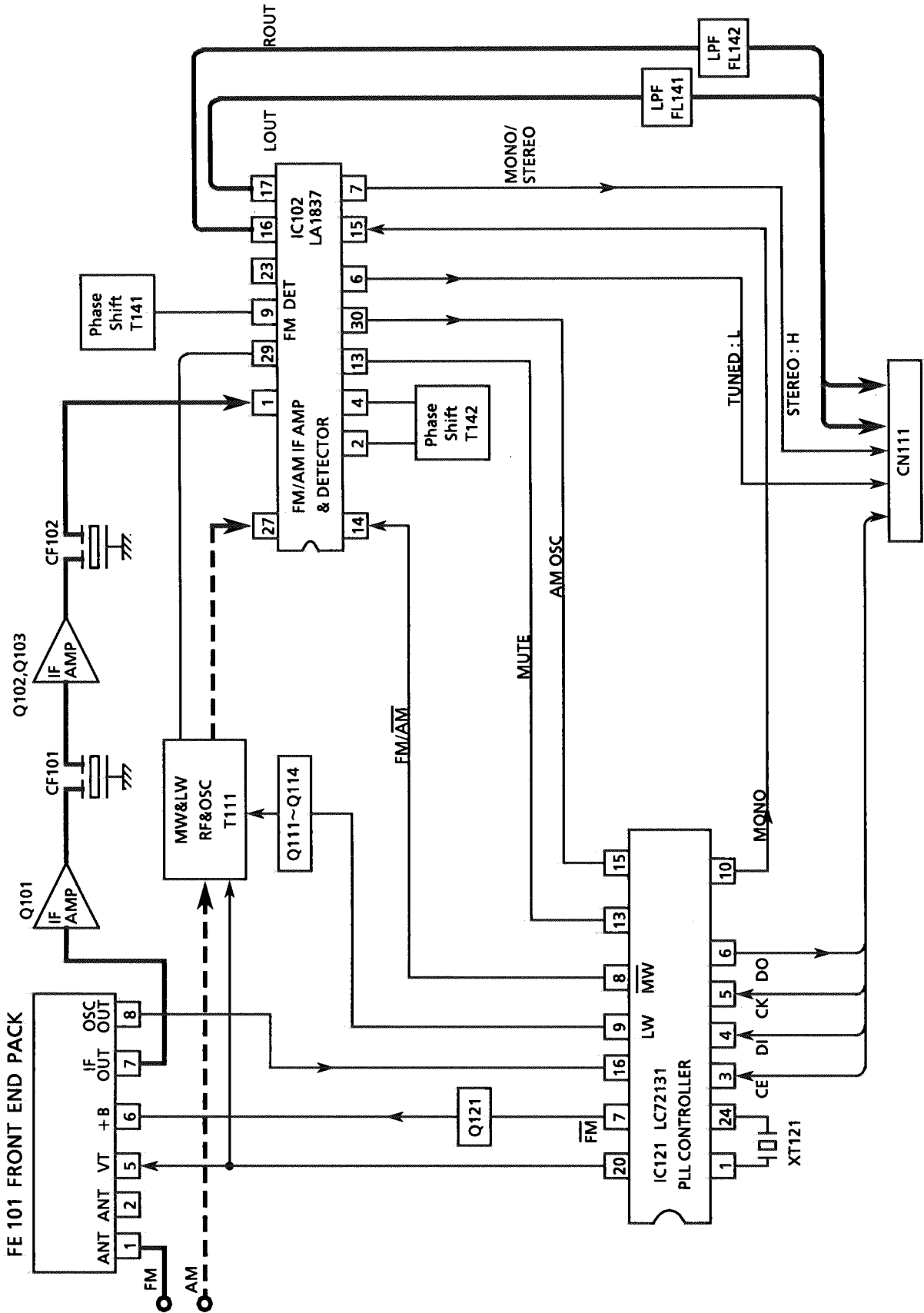
■ Control Section



■ Power Supply Section

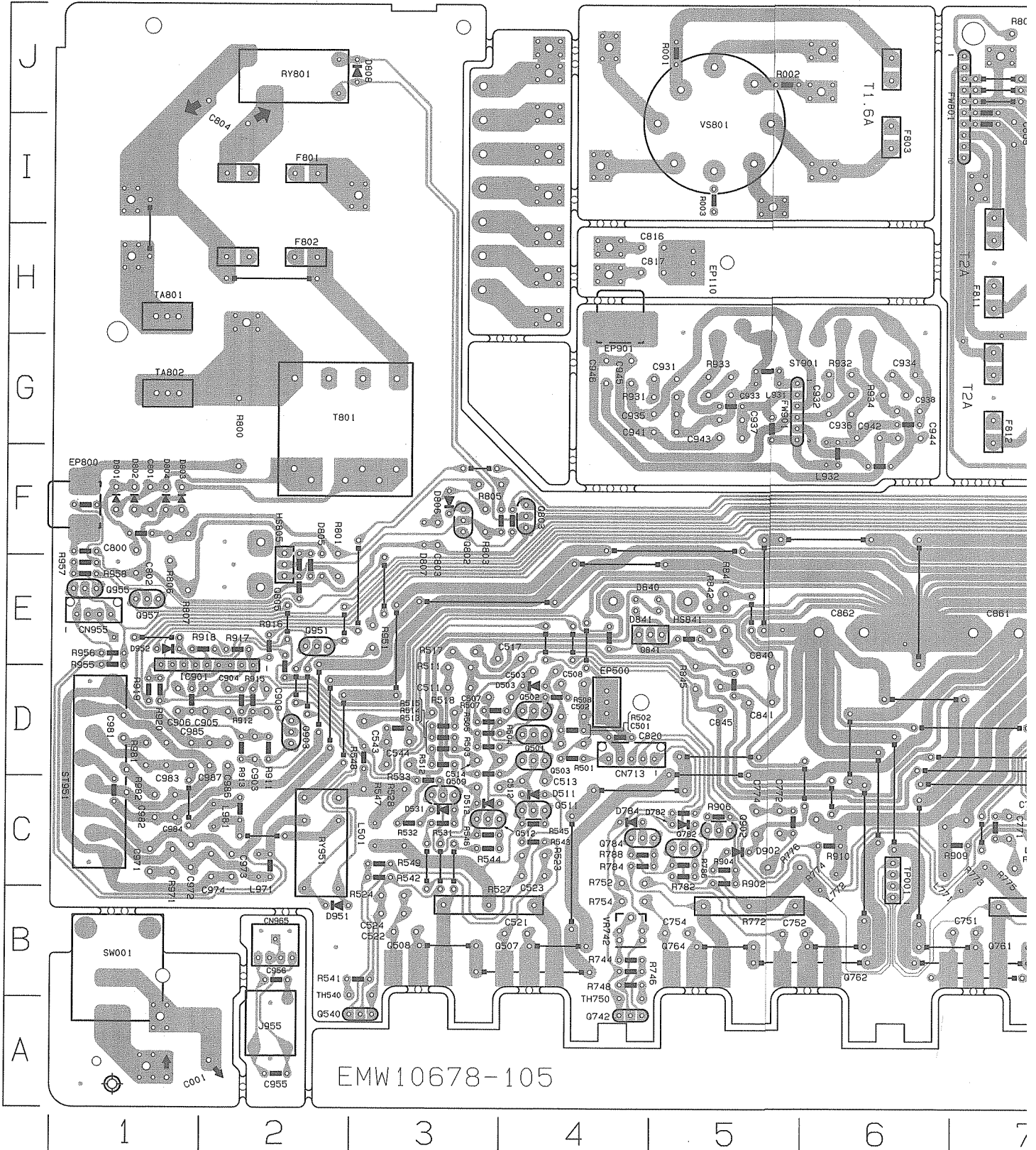


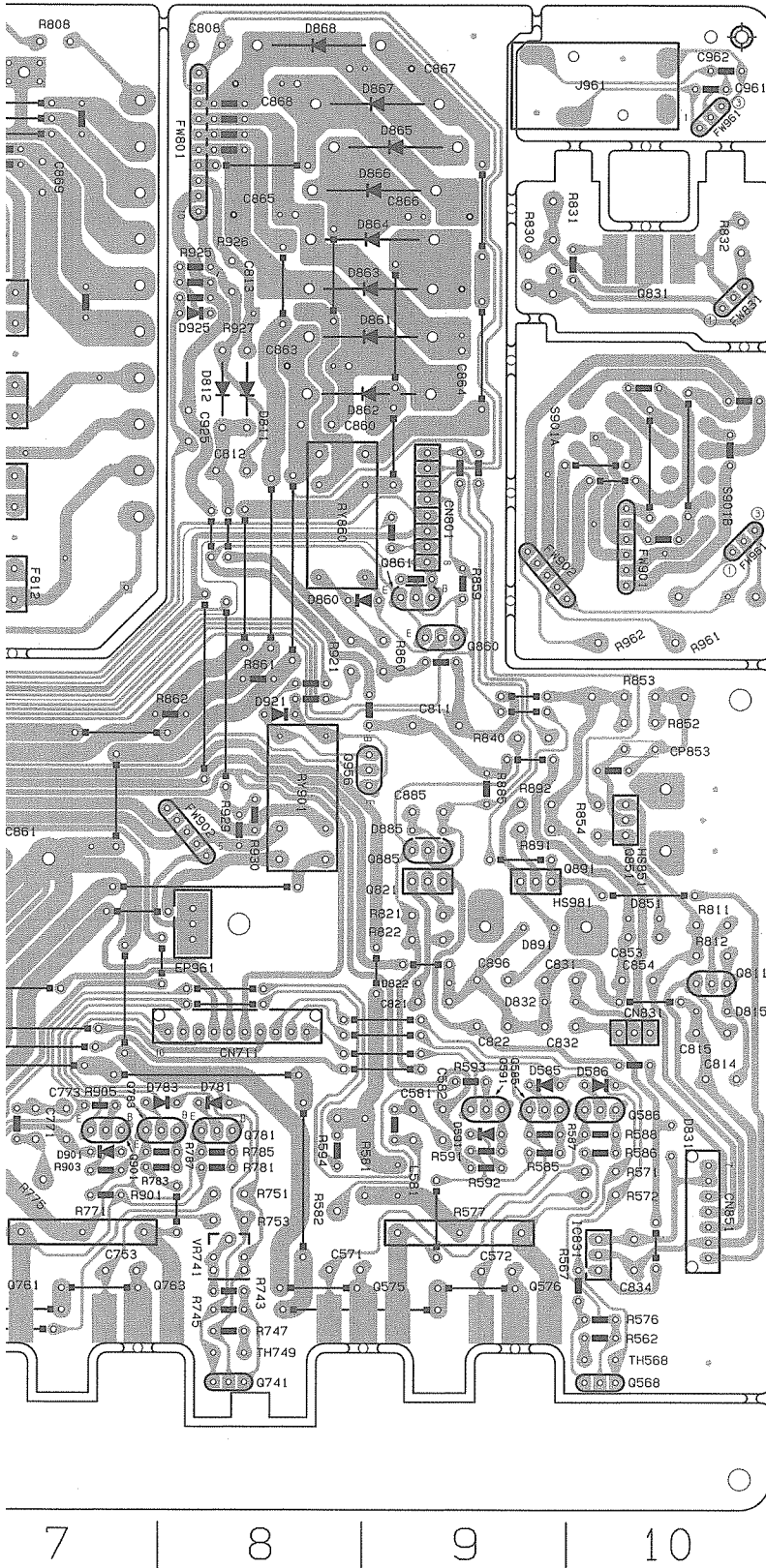
■ Tuner Section



Printed Circuit Boards

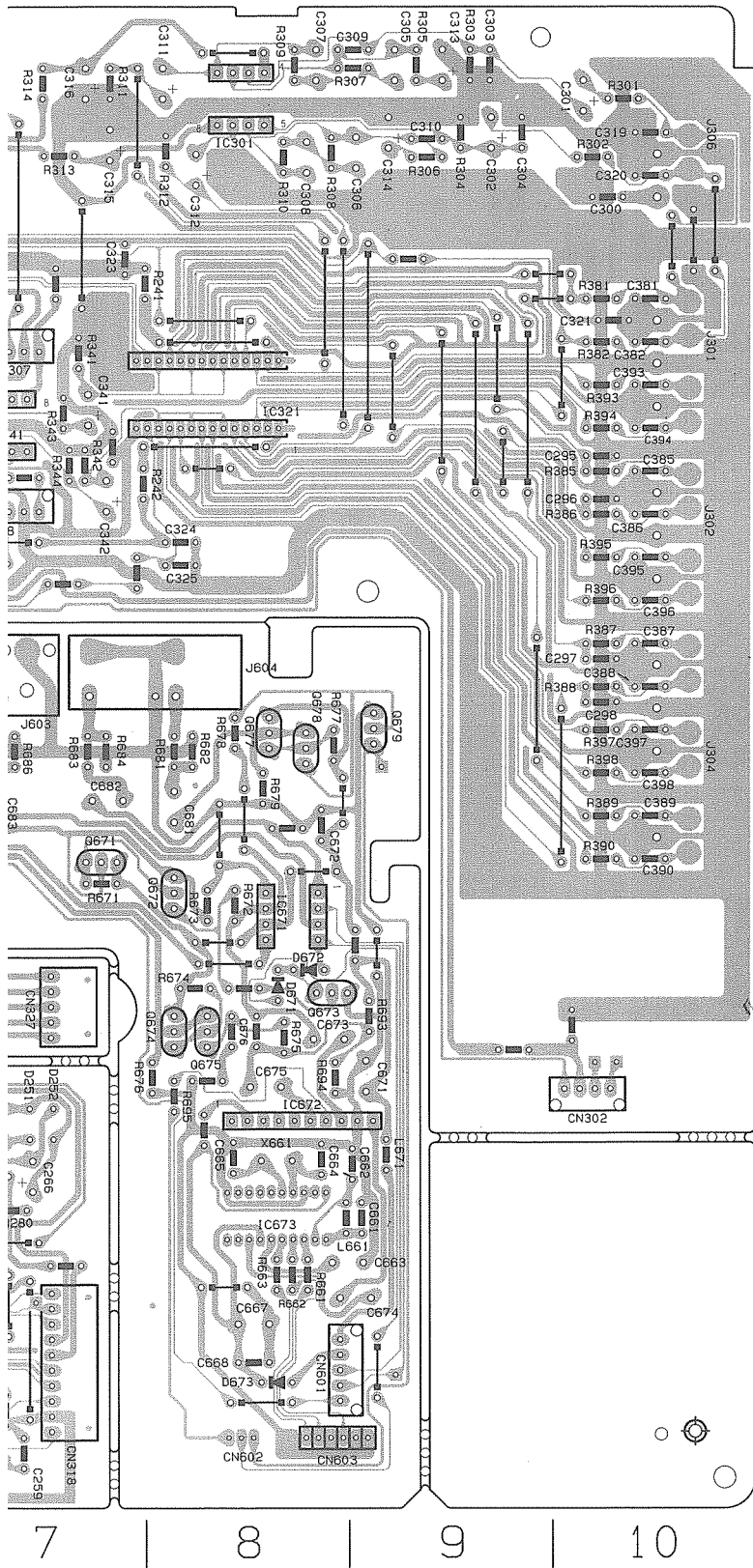
MAIN AMP. P.C.BORD(ENH-301)





Location List (ENH-301)

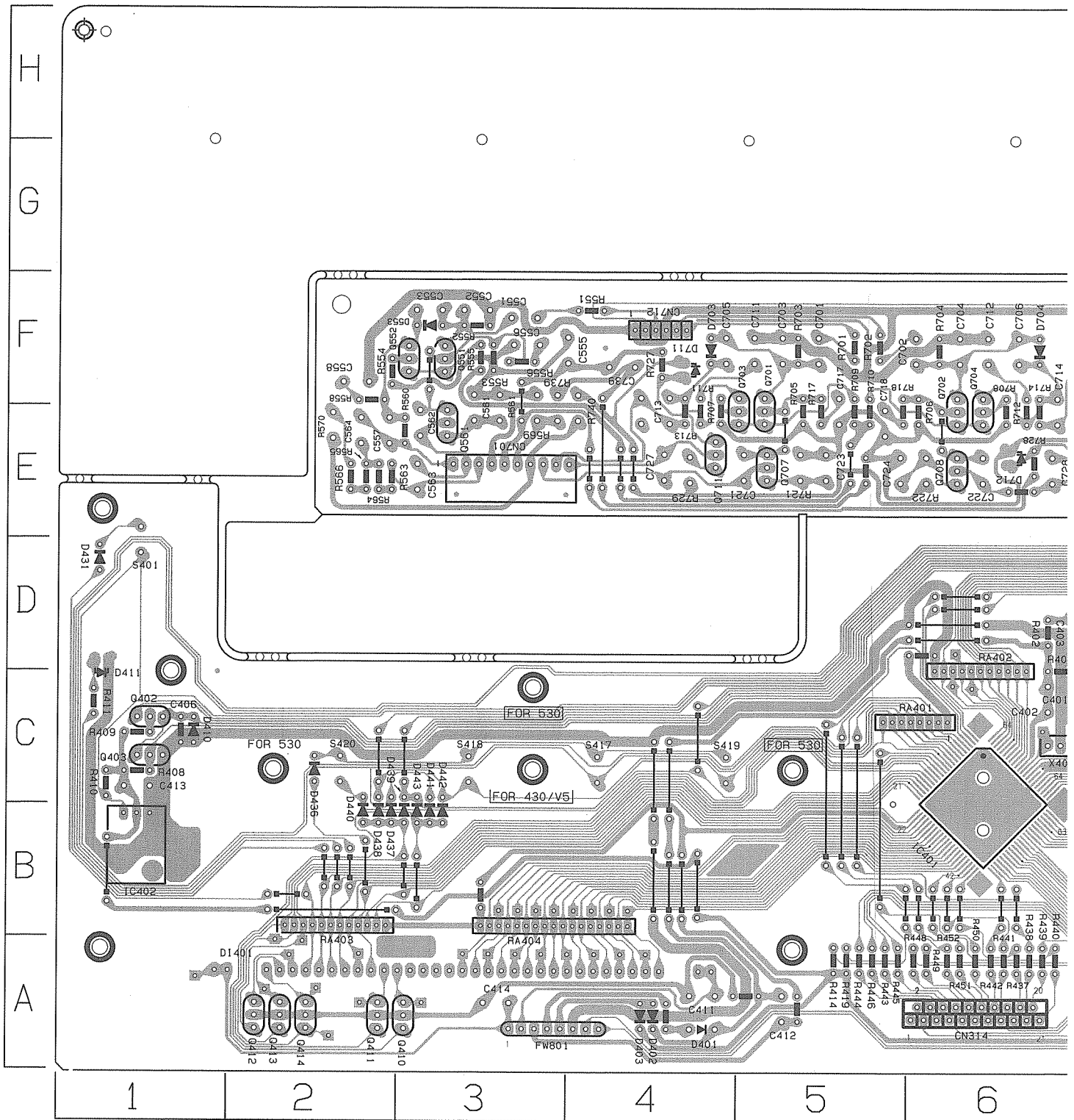
Symbol	X	Y	Symbol	X	Y	Symbol	X	Y	Symbol	X	Y	Symbol	X	Y	Symbol	X	Y
C001	1	A	C932	6	G	D885	9	E	O902	5	G	R782	5	C	RY801	2	J
C501	4	D	C933	5	G	D891	9	D	O903	2	D	R783	8	C	RY860	8	G
C502	4	D	C934	6	G	D901	7	C	O951	2	E	R784	5	C	RY901	8	F
C503	4	D	C935	5	G	D902	5	C	O955	1	E	R785	8	C	RY951	2	B
C507	4	D	C936	6	G	D921	8	F	O956	9	F	R786	5	C	S901A	10	H
C508	4	D	C937	5	G	D925	8	H	O957	1	E	R787	7	C	S901B	10	H
C511	3	D	C938	6	G	D951	2	B	R001	5	J	R788	4	C	S901	5	H
C512	3	C	C941	5	G	D952	1	E	R002	5	J	R800	2	F	ST951	1	D
C513	4	C	C942	6	G	F801	2	I	R003	5	I	R801	2	F	SW001	1	B
C514	3	D	C943	5	G	F802	2	H	R501	4	D	R803	3	F	T801	2	G
C517	4	E	C944	6	G	F803	6	I	R502	4	D	R805	3	F	TA801	1	H
C521	4	B	C945	4	G	F811	7	H	R503	3	D	R806	1	F	TA802	1	G
C522	3	B	C946	4	G	F812	7	G	R504	3	D	R807	1	F	TH540	3	B
C523	4	C	C955	2	A	FW801	7	J	R505	3	D	R808	7	J	TH568	10	B
C524	3	B	C956	2	B	FW801B	8	J	R507	4	D	R811	10	D	TH749	8	B
C543	3	D	C961	10	J	FW831	10	H	R508	4	D	R812	10	D	TH750	4	B
C544	3	D	C962	10	J	FW901A	5	G	R511	3	D	R821	9	D	TP001	6	B
C571	8	B	C971	1	C	FW901B	10	G	R512	3	D	R822	9	D			
C572	9	B	C972	1	C	FW902	8	E	R513	3	D	R830	9	I			
C581	9	C	C973	2	C	FW902B	9	G	R514	3	D	R831	9	I			
C582	9	C	C974	2	C	FW961	10	J	R515	3	D	R832	10	I			
C751	7	B	C981	1	D	FW961A	10	G	R517	3	D	R840	9	F			
C752	6	B	C982	1	C	IC831	10	B	R518	3	D	R841	5	E			
C753	7	B	C983	1	D	IC901	2	E	R523	4	C	R842	5	E			
C754	5	B	C984	1	C	J955	2	A	R524	3	B	R845	5	D			
C771	7	C	C985	1	D	J961	9	J	R527	4	B	R852	10	F			
C772	5	C	C986	2	D	L501	3	C	R528	3	C	R853	10	F			
C773	7	C	C987	2	D	L581	9	C	R531	3	C	R854	10	E			
C774	5	C	CN711	8	D	L771	7	B	R532	3	C	R859	9	G			
C800	1	F	CN713	5	D	L772	6	B	R533	3	C	R860	9	F			
C801	1	F	CN801	9	G	L931	5	G	R541	2	B	R861	8	F			
C802	1	F	CN831	10	D	L932	6	G	R542	3	C	R862	8	F			
C803	3	F	CN851	10	C	L971	2	C	R543	4	C	R885	9	E			
C804	2	I	CN955	1	E	L981	2	C	R544	3	C	R891	9	E			
C808	8	J	CN965	2	B	O501	4	D	R545	4	C	R892	9	E			
C811	9	F	D503	4	D	O502	4	D	R546	3	C	R901	7	C			
C812	8	G	D511	4	C	O503	4	D	R547	3	D	R902	5	C			
C813	8	I	D512	3	C	O507	4	B	R548	3	D	R903	7	C			
C814	10	C	D531	3	C	O508	3	B	R549	3	C	R904	5	C			
C815	10	D	D585	9	C	O509	3	B	R562	10	B	R905	7	C			
C816	5	H	D586	10	C	O511	4	C	R567	10	B	R906	5	C			
C817	5	H	D591	9	C	O512	3	C	R571	10	C	R909	7	C			
C820	4	D	D781	8	C	O540	3	A	R572	10	C	R910	6	C			
C821	9	D	D782	5	C	O568	10	A	R576	10	B	R911	2	D			
C822	9	D	D783	7	C	O575	8	B	R577	9	B	R912	2	D			
C831	10	D	D784	4	C	O576	9	B	R581	9	C	R913	2	D			
C832	10	D	D801	1	F	O585	9	C	R582	8	B	R915	2	D			
C834	10	D	D802	1	F	O586	10	C	R585	9	C	R916	2	D			
C840	5	E	D803	1	F	O591	9	C	R586	10	C	R917	2	E			
C841	5	D	D804	1	F	O741	8	A	R587	9	C	R918	2	E			
C845	5	D	D805	2	E	O742	4	A	R588	10	C	R919	1	D			
C853	10	D	D806	3	F	O761	6	B	R591	9	C	R920	1	D			
C854	10	D	D807	3	F	O762	5	B	R592	9	C	R921	8	F			
C860	8	H	D808	3	J	O763	7	B	R593	9	C	R925	8	I			
C861	7	E	D811	8	H	O764	5	B	R594	8	C	R926	8	I			
C862	6	E	D812	8	H	O781	8	C	R743	8	B	R927	8	I			
C863	8	H	D815	10	D	O782	5	C	R744	4	B	R929	8	E			
C864	9	H	D822	9	D	O783	8	C	R745	8	B	R930	8	E			
C865	8	I	D831	10	C	O784	5	C	R746	4	B	R931	5	G			
C866	9	I	D832	9	D	O802	3	F	R747	8	B	R932	6	G			
C867	8	J	D840	4	E	O803	4	F	R748	4	B	R933	5	G			
C868	8	J	D841	4	E	O805	2	E	R751	8	C	R934	6	G			
C869	7	I	D851	10	D	O811	10	D	R752	4	C	R951	3	E			
C885	9	E	D860	9	G	O821	9	E	R753	8	B	R955	1	E			
C896	9	D	D861	9	H	O831	10	I	R754	4	B	R956	1	E			
C903	2	D	D862	9	H	O841	4	E	R771	7	F	R957	1	E			
C904	2	D	D863	9	I	O851	10	E	R772	5	B	R958	1	E			
C905	2	D	D864	9	I												

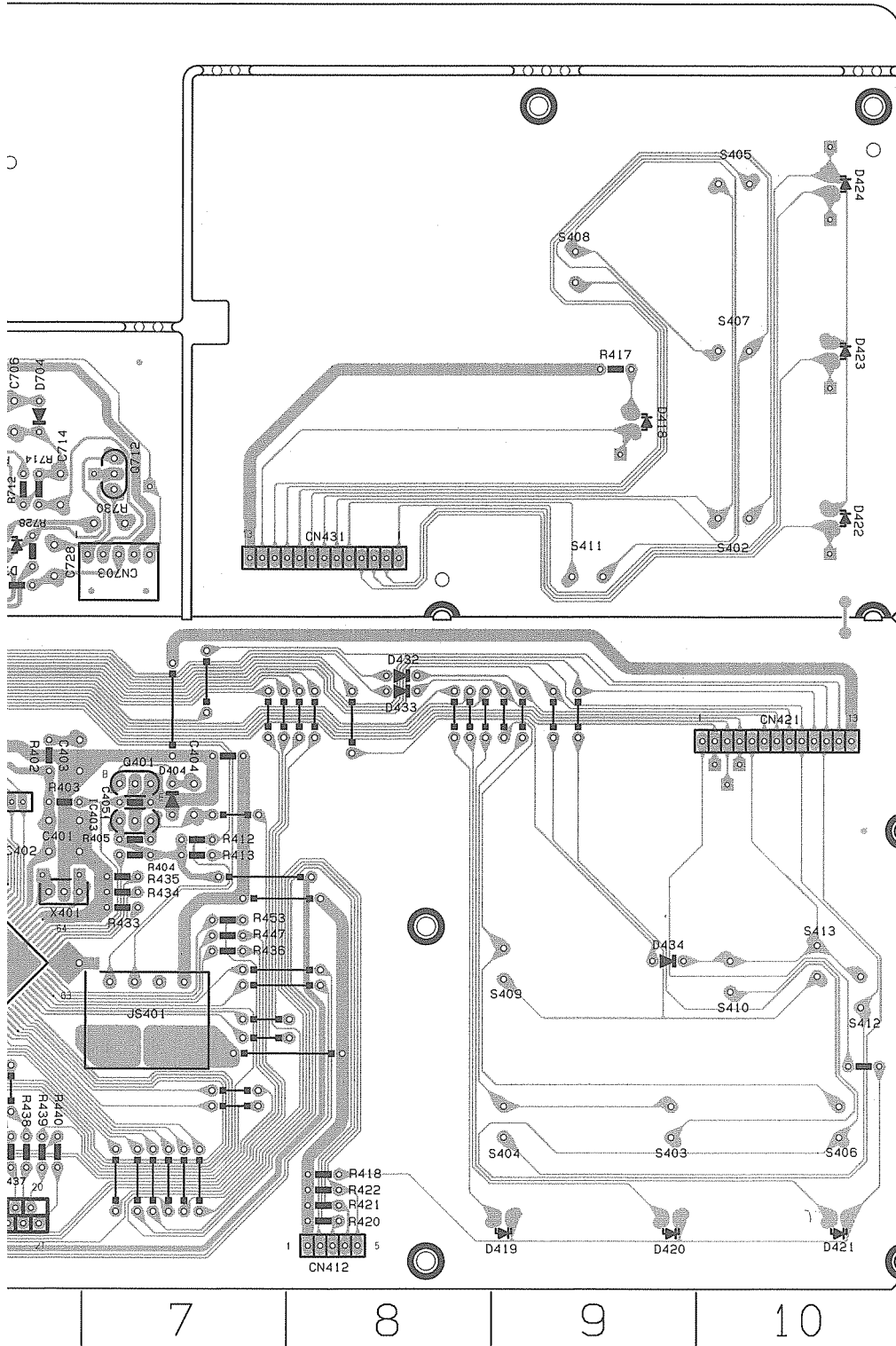


Location List (ENC-135)

Symbol	X	Y	Symbol	X	Y	Symbol	X	Y	Symbol	X	Y	Symbol	X	Y	Symbol	X	Y
C201	5	H	C320	10	I	C662	9	C	J371	1	F	R258	6	H	R386	10	G
C202	5	G	C321	10	H	C663	8	B	J372	2	F	R259	6	A	R387	10	F
C203	5	H	C323	7	I	C664	8	C	J373	2	F	R260	6	B	R388	10	F
C204	5	G	C324	8	G	C665	8	C	J374	2	F	R261	6	C	R389	10	E
C205	4	H	C325	8	G	C667	8	B	J601	6	F	R262	6	B	R390	10	E
C206	4	G	C341	7	H	C668	8	A	J602	6	F	R263	6	C	R393	10	H
C207	4	G	C342	7	G	C671	9	C	J603	7	F	R264	6	B	R394	10	H
C208	5	G	C351	5	J	C672	8	E	J604	8	F	R265	6	C	R395	10	G
C209	5	H	C353	5	I	C673	8	D	L661	8	B	R266	6	B	R396	10	G
C210	5	G	C354	5	J	C674	8	B	L671	9	C	R267	6	C	R397	10	F
C211	4	I	C361	4	H	C675	8	C	Q221	4	H	R268	6	B	R398	10	E
C212	4	H	C362	4	H	C676	8	D	Q222	4	G	R269	6	C	R641	1	B
C213	3	I	C371	1	E	C681	8	E	Q223	2	H	R270	6	B	R642	1	B
C214	3	H	C381	10	I	C682	7	E	Q224	2	H	R271	6	C	R643	1	B
C215	2	I	C382	10	H	C683	7	E	Q225	2	G	R272	6	B	R644	1	B
C216	3	H	C385	10	G	C684	6	E	Q351	5	J	R273	6	C	R651	2	C
C225	1	G	C386	10	G	C685	6	E	Q352	5	J	R274	6	B	R661	8	B
C251	5	H	C387	10	F	C686	6	E	Q353	5	J	R275	6	C	R662	8	B
C252	5	H	C388	10	F	CN085	2	J	Q671	7	E	R276	6	B	R663	8	B
C253	6	A	C389	10	E	CN101	7	I	Q672	8	D	R279	7	C	R671	7	E
C254	6	B	C390	10	E	CN302	10	C	Q673	8	D	R280	7	B	R672	8	E
C255	6	A	C393	10	H	CN304	1	H	Q674	8	D	R301	10	J	R673	8	E
C256	7	A	C394	10	H	CN305	1	H	Q675	8	D	R302	10	I	R674	8	D
C257	7	A	C395	10	G	CN306	5	H	Q677	8	F	R303	9	J	R675	8	D
C258	6	B	C396	10	G	CN307	7	H	Q678	8	E	R304	9	J	R676	8	C
C259	7	A	C397	10	F	CN308	7	G	Q679	9	F	R305	9	J	R677	8	F
C260	6	B	C398	10	E	CN312	3	E	R201	5	H	R306	9	I	R678	8	F
C261	6	C	C399	3	I	CN316	2	E	R202	5	G	R307	9	J	R679	8	E
C262	6	B	C601	3	D	CN317	4	E	R203	5	G	R308	8	I	R681	8	F
C265	7	C	C602	3	D	CN318	7	A	R204	5	G	R309	8	J	R682	8	F
C266	7	C	C603	3	D	CN327	7	D	R205	4	H	R310	8	I	R683	7	F
C269	7	A	C604	3	B	CN341	2	F	R206	5	G	R311	7	J	R684	7	E
C270	6	A	C605	3	D	CN351	1	H	R207	4	H	R312	8	I	R685	7	F
C271	5	C	C606	3	B	CN361	1	A	R208	4	G	R313	7	J	R686	7	F
C272	6	B	C607	4	D	CN371	1	G	R209	5	H	R314	7	J	R687	6	F
C273	5	A	C608	3	B	CN601	8	A	R210	5	G	R325	1	G	R688	6	E
C274	5	B	C609	4	D	CN602	8	A	R211	3	I	R326	6	G	R689	6	F
C275	5	C	C610	3	B	CN603	9	A	R212	3	H	R331	4	J	R690	6	E
C276	5	B	C611	4	D	CN611	4	B	R213	3	I	R332	4	J	R691	6	F
C277	6	A	C612	3	B	CN621	5	D	R214	3	H	R333	3	J	R692	6	F
C278	5	B	C613	4	D	CN702	2	H	R215	2	I	R334	3	I	R693	9	D
C279	5	C	C614	4	B	CN841	5	A	R216	2	H	R335	3	J	R694	8	C
C280	5	A	C615	4	C	D251	7	C	R217	2	I	R336	3	J	R695	8	C
C281	5	A	C616	4	C	D252	7	C	R218	2	I	R337	4	J	X641	2	C
C282	5	A	C617	4	C	D353	5	J	R221	2	G	R338	4	J	X661	8	C
C283	6	A	C618	4	C	D354	5	J	R222	4	G	R341	7	H			
C284	6	B	C619	4	C	D371	2	E	R223	3	H	R342	7	H			
C287	5	B	C620	4	C	D372	1	E	R224	2	H	R343	7	H			
C291	6	I	C621	2	D	D671	8	D	R225	2	G	R344	7	H			
C292	6	J	C622	2	D	D672	8	D	R231	5	H	R345	4	J			
C295	10	H	C623	2	C	D673	8	A	R232	5	G	R346	4	J			
C296	10	G	C624	3	D	IC201	4	G	R233	6	G	R347	3	J			
C297	10	F	C625	3	D	IC202	3	H	R234	5	G	R348	3	J			
C298	10	F	C626	3	D	IC203	6	G	R235	3	I	R351	3	J			
C300	10	I	C627	3	D	IC204	3	I	R236	3	H	R353	5	I			
C301	10	J	C628	3	D	IC251	5	A	R237	3	I	R354	6	J			
C302	9	J	C631	3	B	IC252	6	C	R238	3	H	R355	5	J			
C303	9	J	C632	2	B	IC301	8	J	R241	7	I	R356	5	J			
C304	9	J	C633	2	B	IC321	8	H	R242	7	G	R361	4	I			
C305	9	J	C634	2	C	IC331	4	J	R243	6	G	R362	4	H			
C306	9	I	C641	1	B	IC341	7	H	R244	6	G	R363	4	I			
C307	8	J	C642	1	B	IC351	4	J	R245	5	G	R364	4	H			
C308	8	I	C643	2	B	IC361	4	I	R246	5	G	R365	4	I			
C309	8	J	C645	1	D	IC601	3	C	R247	2	G	R366	4	H			
C310	9	J	C646	1	D	IC641	1	C	R248	4	H	R371	1	F			
C311	8	J	C647	1	D	IC671	8	E	R249	4	I	R372	1	F			
C312	8	I	C648	1	C	IC672	8	C	R250	3	H	R373	2	E			
C313	9	J	C650	1	D	IC673	8	B	R253	6	H	R374	1	F			
C314	9	J	C651	2	D	J301	10	H	R254	6	H	R375	2	F			
C315	7	I	C652	1	D	J302	10	G	R255	6	A	R381	10	I			
C316	7	J	C653	1	B	J304	10	E	R256	6	B	R382	10	H			
C319	10	J	C661	9	C	J306	10	J	R257	7	G	R385	10	G			

FRONT P.C.BOARD (ENB-246)

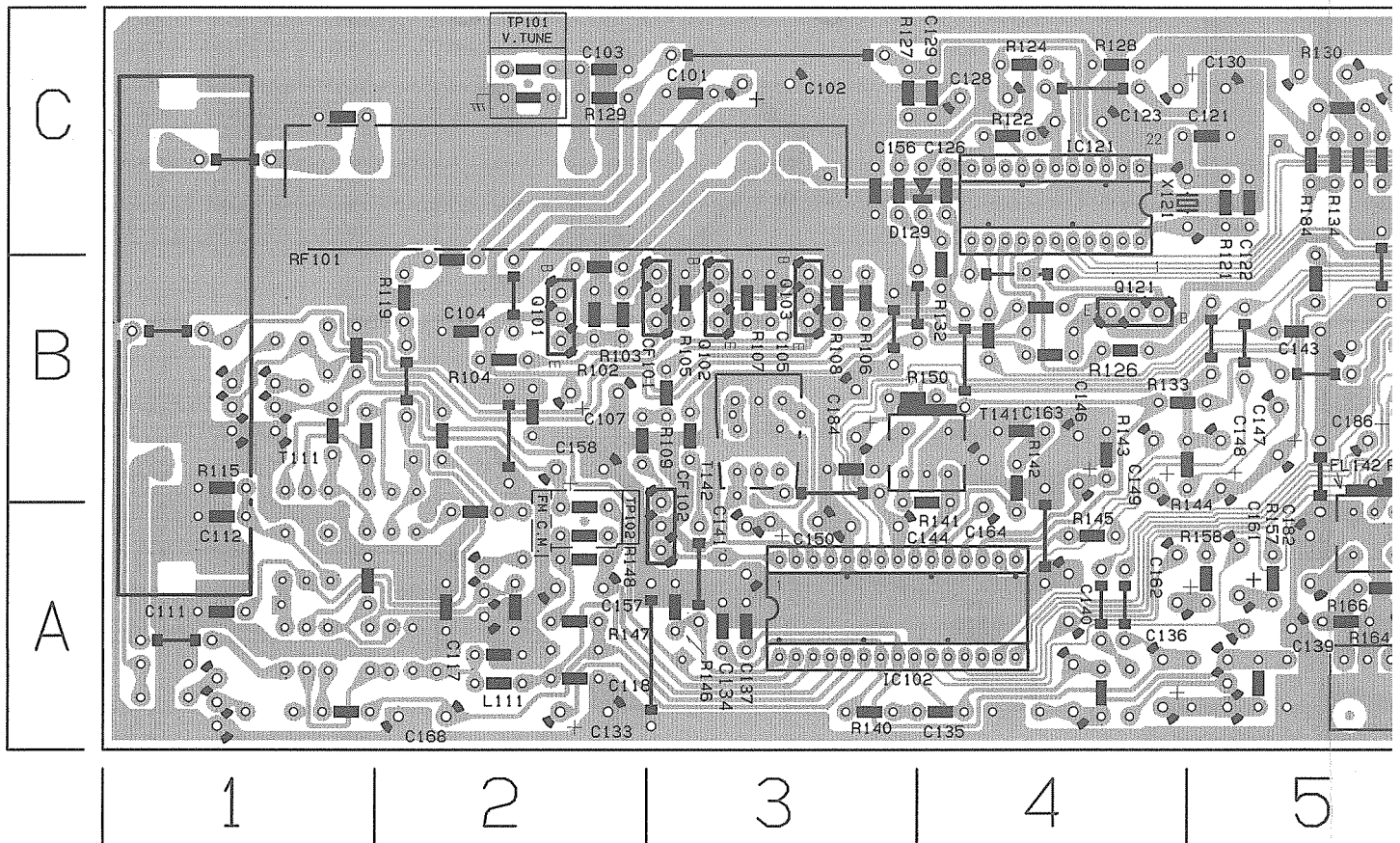




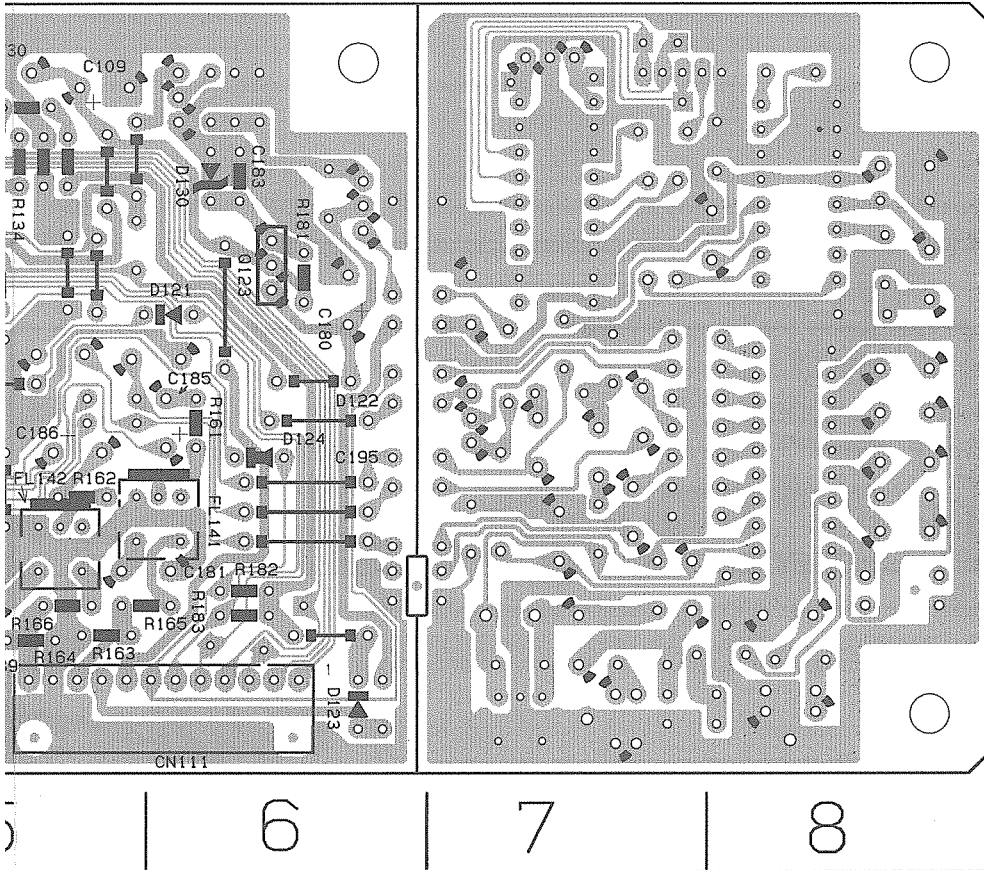
Location List (ENB-246)

Symbol	X	Y	Symbol	X	Y	Symbol	X	Y
C401	6	C	D553	3	F	R555	3	F
C402	6	C	D703	4	F	R556	3	F
C403	6	D	D704	6	F	R558	2	F
C404	7	C	D711	4	F	R560	3	E
C405	7	D	D712	6	E	R561	3	E
C406	1	C	D1401	4	A	R563	2	E
C411	4	A	FW801	3	A	R564	2	E
C412	5	A	IC401	6	C	R565	2	E
C413	1	C	IC402	1	B	R566	2	E
C414	3	A	IC403	7	C	R569	3	E
C551	3	F	JS401	7	B	R570	2	E
C552	3	F	Q401	7	D	R701	5	F
C553	3	F	Q402	1	C	R702	5	F
C555	3	F	Q403	1	C	R703	5	F
C556	3	F	Q410	3	A	R704	6	F
C557	2	E	Q411	2	A	R705	5	F
C558	2	F	Q412	2	A	R706	6	F
C561	3	F	Q413	2	A	R707	4	F
C562	3	E	Q414	2	A	R708	6	F
C563	3	E	Q551	3	F	R709	5	E
C564	2	E	Q552	3	F	R710	5	E
C701	5	F	Q561	3	E	R711	4	F
C702	6	F	Q701	5	F	R712	6	F
C703	5	F	Q702	6	F	R713	4	F
C704	6	F	Q703	5	F	R714	6	F
C705	4	F	Q704	6	F	R717	5	F
C706	6	F	Q707	5	E	R718	5	F
C711	5	F	Q708	6	E	R721	5	E
C712	6	F	Q711	4	E	R722	6	E
C713	4	F	Q712	7	F	R727	4	F
C714	6	F	R402	6	D	R728	6	E
C717	5	E	R403	6	D	R729	4	E
C718	5	E	R404	7	C	R730	7	E
C721	5	E	R405	7	C	R739	3	F
C722	6	E	R408	1	C	R740	4	F
C723	5	E	R409	1	C	RA401	6	C
C724	5	E	R410	1	C	RA402	6	D
C727	4	E	R411	1	C	RA403	2	B
C728	6	E	R412	7	C	RA404	3	B
C739	4	F	R413	7	C	S401	1	D
CN314	6	A	R414	5	A	S402	10	E
CN412	8	A	R417	9	F	S403	9	B
CN421	10	D	R418	8	A	S404	9	B
CN431	8	E	R419	5	A	S405	10	G
CN701	3	E	R420	8	A	S406	10	B
CN703	7	E	R421	8	A	S407	10	F
CN712	4	F	R422	8	A	S408	9	G
D401	4	A	R433	7	C	S409	9	C
D402	4	A	R434	7	C	S410	10	B
D403	4	A	R435	7	C	S411	9	E
D404	7	C	R436	7	C	S412	10	B
D410	1	C	R437	6	A	S413	10	C
D411	1	D	R438	6	A	S417	4	C
D418	9	F	R439	6	A	S418	3	C
D419	9	A	R440	6	A	S419	4	C
D420	9	A	R441	6	A	S420	2	C
D421	10	A	R442	6	A	X401	6	C
D422	10	E	R443	5	A			
D423	10	F	R444	5	A			
D424	10	G	R445	5	A			
D431	1	D	R446	5	A			
D432	8	D	R447	7	C			
D433	8	D	R448	6	A			
D434	9	C	R449	6	A			
D436	2	C	R450	6	A			
D437	2	B	R451	6	A			
D438	2	B	R452	6	A			
D439	3	B	R453	7	C			
D440	2	B	R551	4	F			
D441	3	B	R552	3	F			
D442	3	B	R553	3	F			
D443	3	B	R554	2	F			

TUNER P.C.BOARD (ENA-178)



Location List (ENA-178)

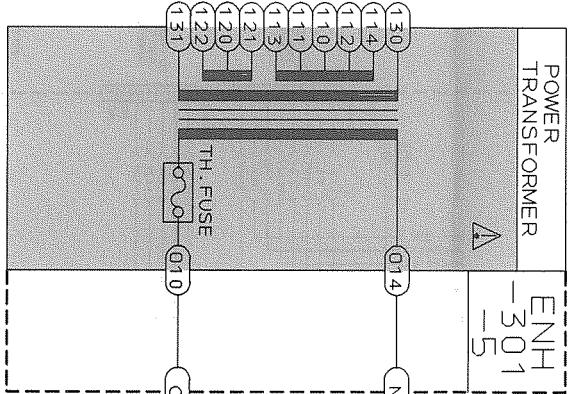


Symbol	X	Y	Symbol	X	Y	Symbol	X	Y
C101	3	C	C191	8	B	R139	5	A
C102	3	C	C192	8	C	R140	3	A
C103	2	C	C193	8	C	R141	3	A
C104	2	B	C194	8	C	R142	4	B
C105	3	B	C195	7	B	R143	4	B
C107	2	B	C196	8	B	R144	4	B
C109	5	C	C197	7	B	R145	4	A
C111	1	A	C199	8	C	R146	3	A
C112	1	A	CF101	3	B	R147	2	A
C113	1	A	CF102	3	A	R148	2	A
C117	2	A	CN111	5	A	R149	2	A
C118	2	B	CN112	8	C	R150	4	B
C121	4	C	D121	6	B	R151	7	B
C122	5	C	D122	7	B	R152	7	A
C123	4	C	D123	6	A	R153	7	A
C126	4	C	D124	6	B	R155	7	B
C128	4	C	D129	4	C	R156	7	B
C129	4	C	D130	6	C	R157	5	A
C130	4	C	D131	6	A	R158	5	A
C131	7	B	D132	7	B	R159	5	B
C132	7	A	D133	6	C	R160	5	B
C133	2	A	FL141	6	A	R161	6	B
C134	3	A	FL142	5	A	R162	5	B
C135	3	A	IC102	3	A	R163	5	A
C136	4	A	IC104	8	A	R164	5	A
C137	3	A	IC121	4	C	R165	5	A
C138	4	A	IC191	7	C	R166	5	A
C139	5	A	IC192	8	B	R167	6	C
C140	4	A	L111	2	A	R168	6	C
C141	3	A	Q101	2	B	R170	7	A
C143	5	B	Q102	3	B	R171	7	A
C144	3	A	Q103	3	B	R172	7	A
C146	4	B	Q111	2	A	R173	7	A
C147	5	B	Q112	1	B	R176	7	B
C148	5	B	Q113	1	B	R177	8	B
C149	4	B	Q114	1	A	R178	8	A
C150	3	A	Q121	4	B	R179	8	A
C153	5	A	Q123	6	C	R191	6	C
C154	7	B	Q131	7	B	R182	6	A
C155	4	A	Q132	5	A	R183	6	A
C156	3	C	Q133	6	C	R184	5	C
C157	2	A	Q134	6	C	R191	8	C
C158	2	B	R102	2	B	RF101	1	C
C159	6	B	R103	2	B	T111	2	A
C160	5	B	R104	2	B	T141	4	B
C161	5	A	R105	3	B	T142	3	B
C162	4	A	R106	3	B	T151	7	A
C163	4	B	R107	3	B	TC101	7	A
C164	4	A	R108	3	B	X121	4	C
C165	6	C	R109	3	B	X191	8	B
C166	7	A	R110	1	A	X192	7	C
C167	8	A	R111	2	A			
C168	2	A	R112	1	B			
C170	7	B	R113	1	B			
C171	7	A	R114	1	B			
C172	7	A	R115	1	B			
C173	8	A	R116	1	A			
C174	8	B	R119	2	B			
C177	8	B	R121	5	C			
C178	8	B	R122	4	C			
C179	8	B	R124	4	C			
C180	6	B	R126	4	B			
C181	5	A	R127	3	C			
C182	5	A	R128	4	C			
C183	6	C	R129	2	C			
C184	3	B	R130	5	C			
C185	6	B	R131	4	B			
C186	5	B	R132	4	C			
C187	7	A	R133	5	B			
C188	8	B	R134	5	C			
C189	8	A	R137	5	C			
C190	8	A	R138	4	A			

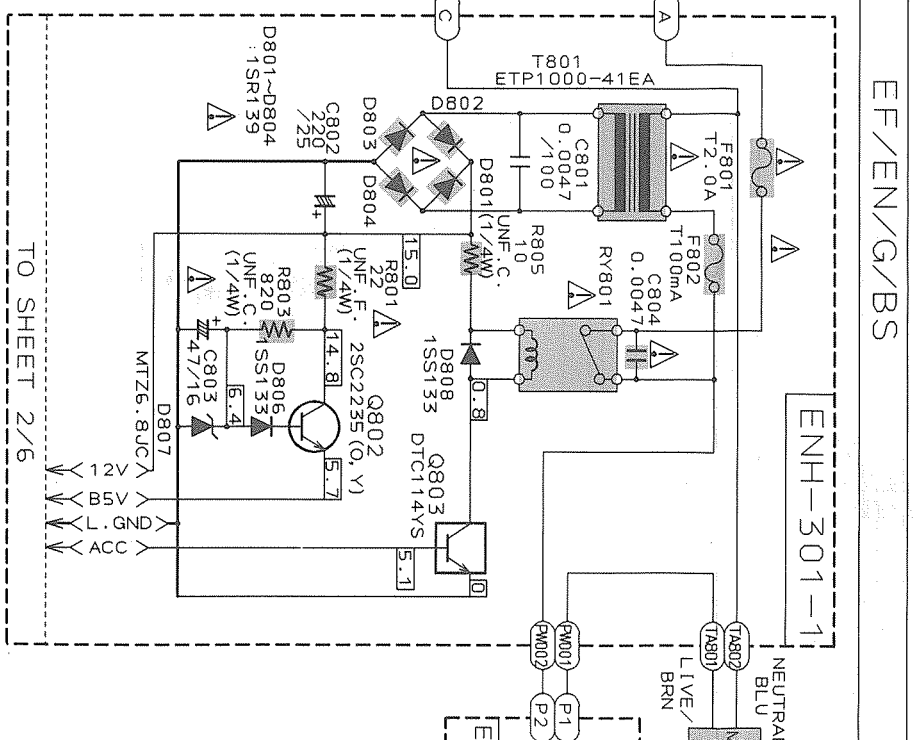
Schematic Diagrams

1 2 3 4 5 6 7 8 9 10

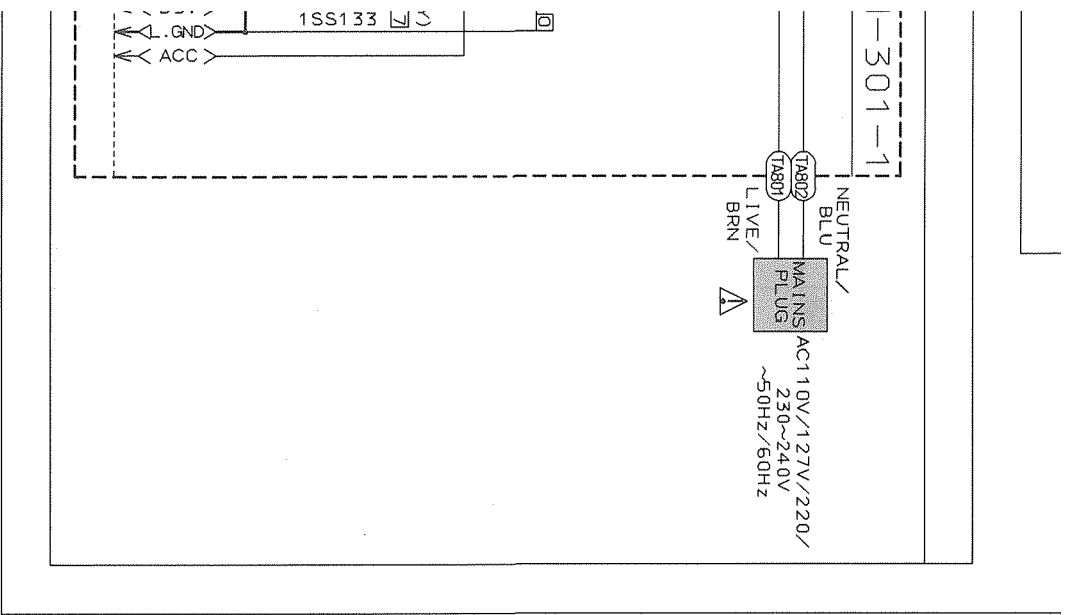
POWER PRIMARY SECTION



POWER SUPPLY SECTION



4/6	.USER CONTROL KEYS/SYSTEM CONTROL LSI /FL DISPLAY
5/6	(ONLY EF/EN/G/BS WITHOUT RDS) .TUNER
6/6	(ONLY U/UT/US) .TUNER



- Notes:
1. indicates Main signal path.
 2. indicates REAR signal path.
 3. indicates CENTER signal path.
 4. When replacing the parts in the darkened are () and those marked with , be sure to use the designated parts to ensure safety.
 5. This is the standard circuit diagram. The design and contents are subject to change without notice.

0 | 11 | 12 | 13 | 14 | 15 | 16 | 17 | 18 | 19 | 20

VERSION CODES

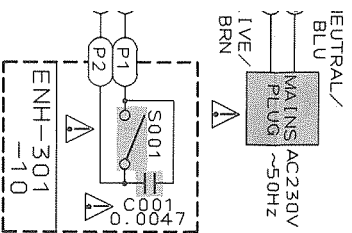
EN: NORDIC COUNTRIES
 EF: CONTINENTAL EUROPE EXCEPT GERMANY
 G : GERMANY
 BS: U.K.
 US: SINGAPORE
 UT: TAIWAN
 U : UNIVERSAL EXCEPT ALL OF ABOVE

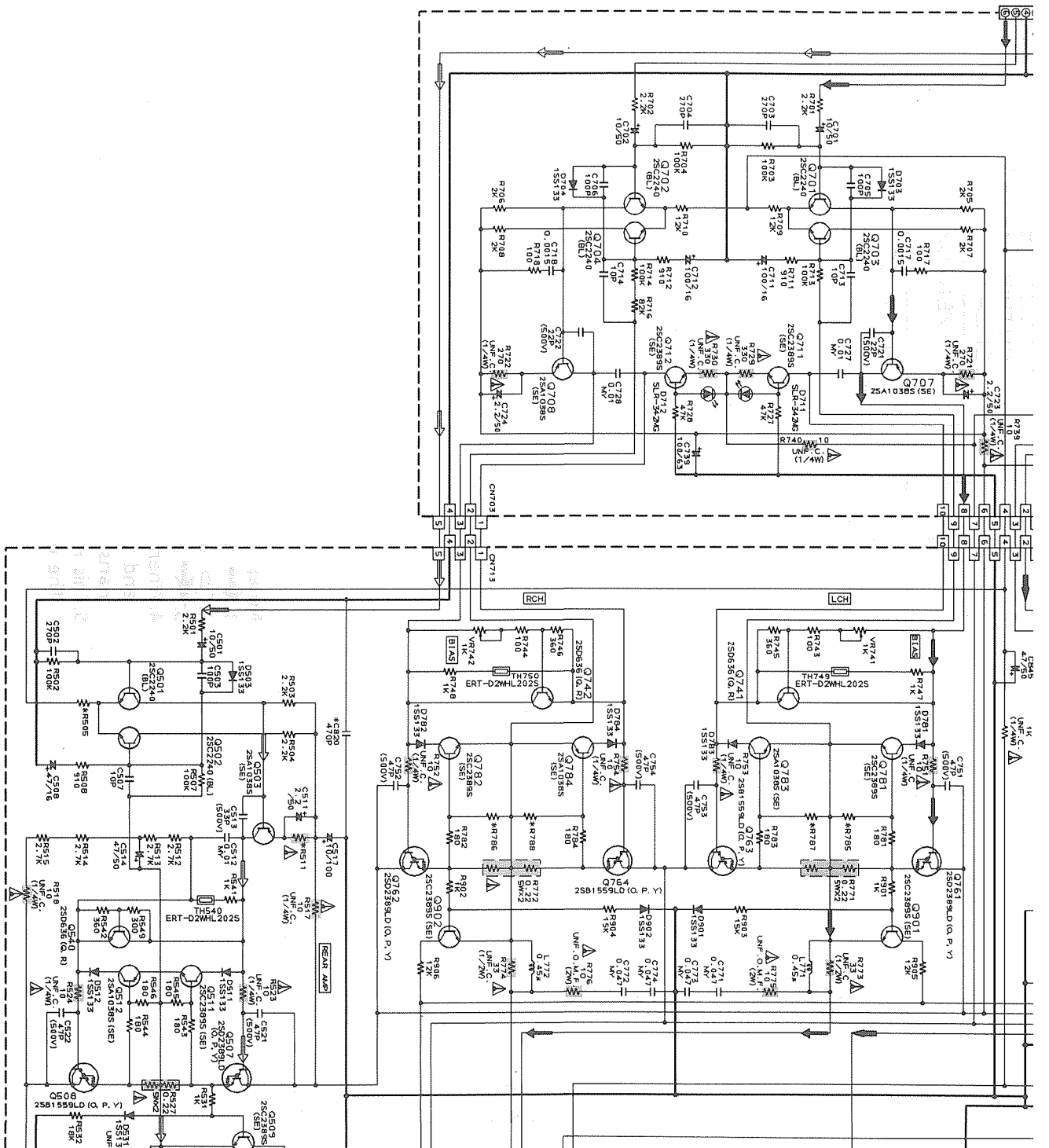
NOTES:
 MARK (*) IS TO SHOW DEVIATION IN VERSIONS.
 DETAILS ARE EXPLAINED NEAR THE MARK.

EXPLANATION OF OVERALL OF SCHEMA.

MODEL RX-430VBK

SHEET NUMBER	CIRCUITS DESCRIPTION
1/6	·PRIMARY
2/6	·RECTIFIER/REGULATOR /AUDIO AMP./SPEAKER TERMINAL
3/6	·AUDIO·VIDEO SIGNAL INPUT TERMINAL /SURROUND IC./SOURCE SELECT IC. /FRONT·REAR·CENTER VOLUME
4/6	·USER CONTROL KEYS/SYSTEM CONTROL LSI /FL DISPLAY



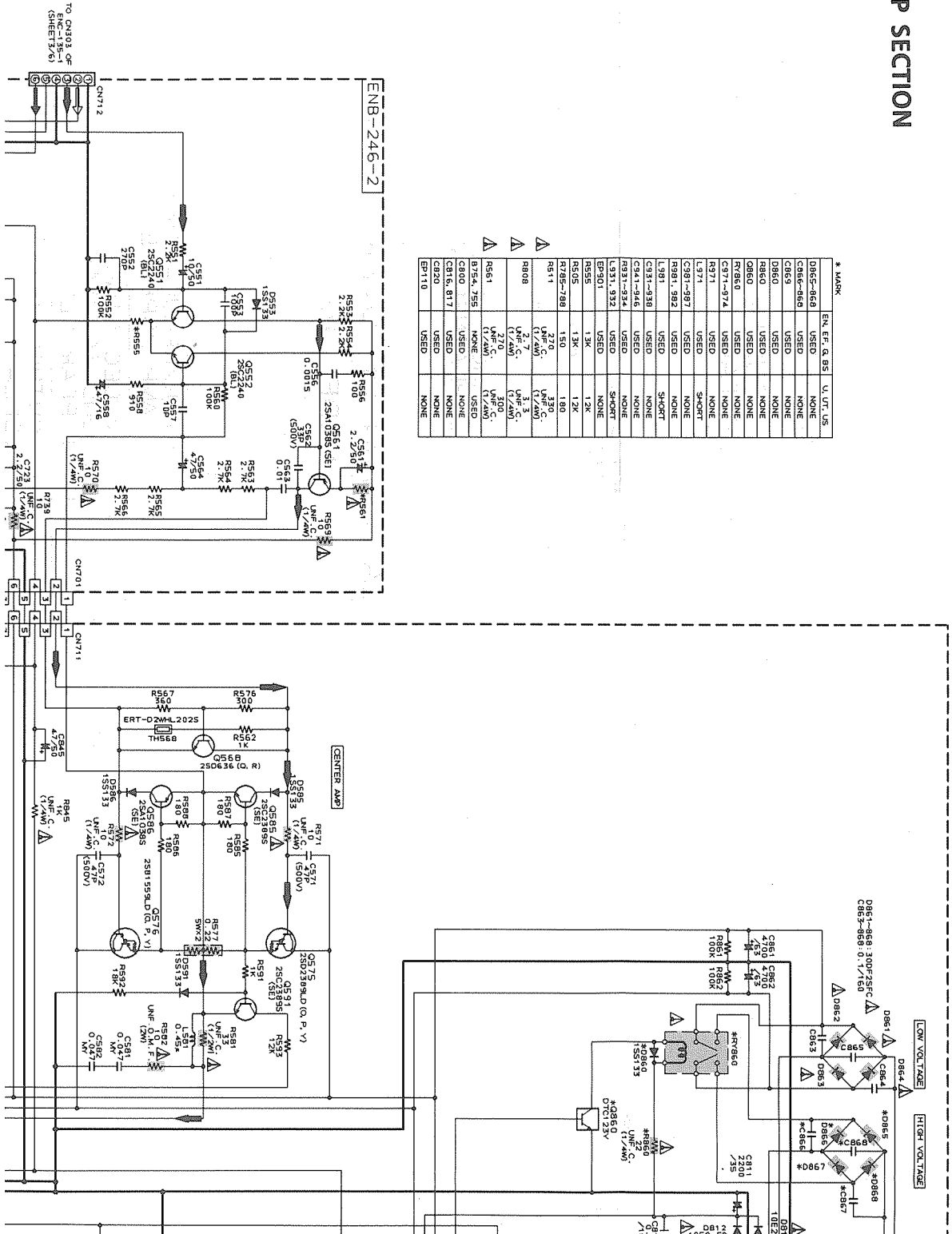


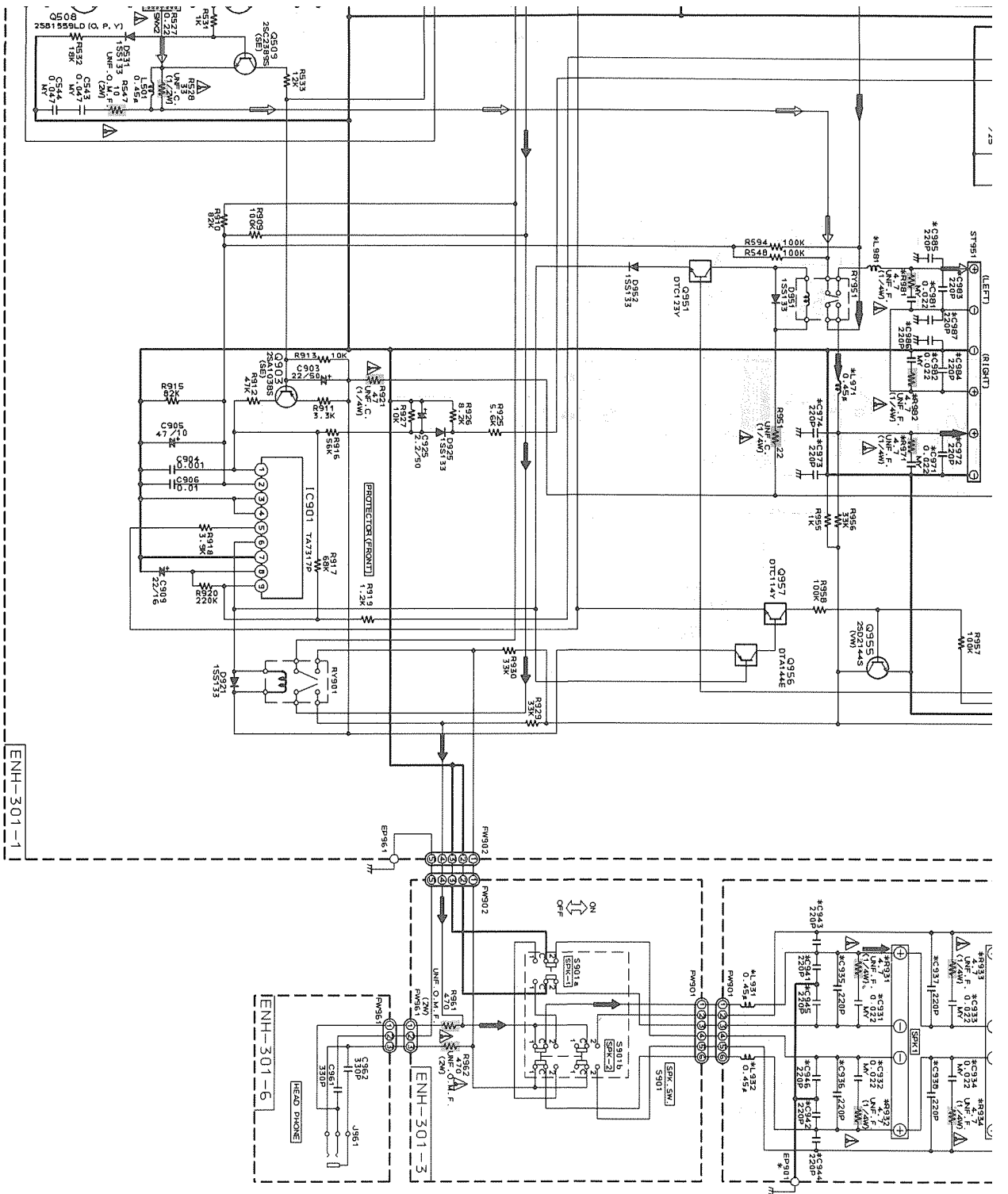
1 2 3 4 5 6 7 8 9 10

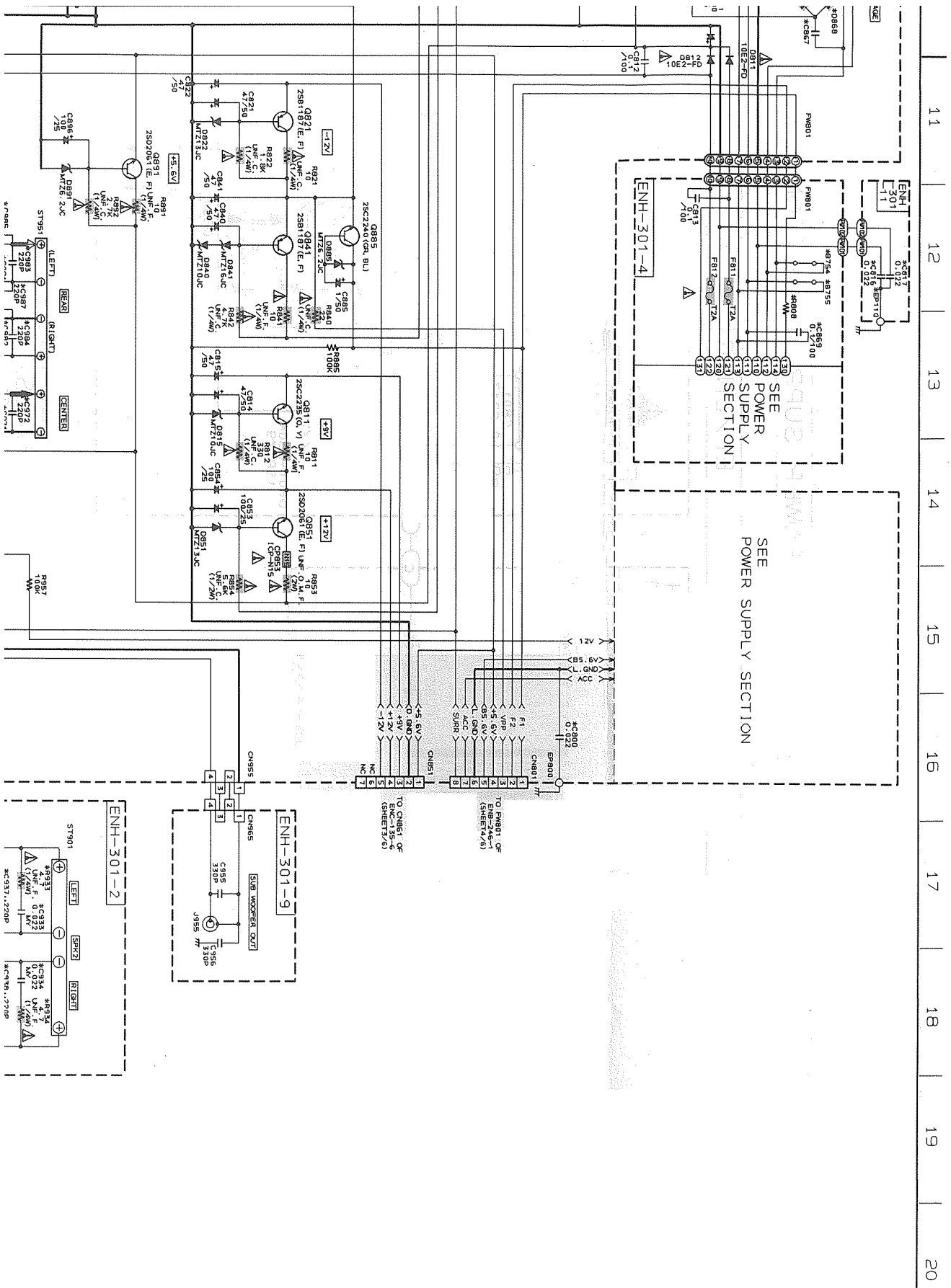
AUDIO AMP SECTION

* MARK

D86C-868	USED	U. UT. US
C86E-869	USED	NONE
C869	USED	NONE
D86D	USED	NONE
R86D	USED	NONE
Q86D	USED	NONE
RV86.0	USED	NONE
C971-974	USED	NONE
R971	USED	NONE
L971	USED	SHORT
C981-987	USED	NONE
R981, 982	USED	SHORT
C931-938	USED	NONE
C941-946	USED	NONE
R931-934	USED	NONE
L931, 932	USED	SHORT
EP901	USED	NONE
R955	1.3K	1.2K
R505	1.3K	1.2K
R785-788	1.50	1.80
RS11	U.F. C.	U.F. C.
R808	U.F. C.	U.F. C.
R808	U.F. C.	U.F. C.
R808	U.F. C.	U.F. C.
R861	U.F. C.	U.F. C.
B754, 755	NONE	NONE
C800	USED	NONE
C815, 817	USED	NONE
C820	USED	NONE
EP11.0	USED	NONE



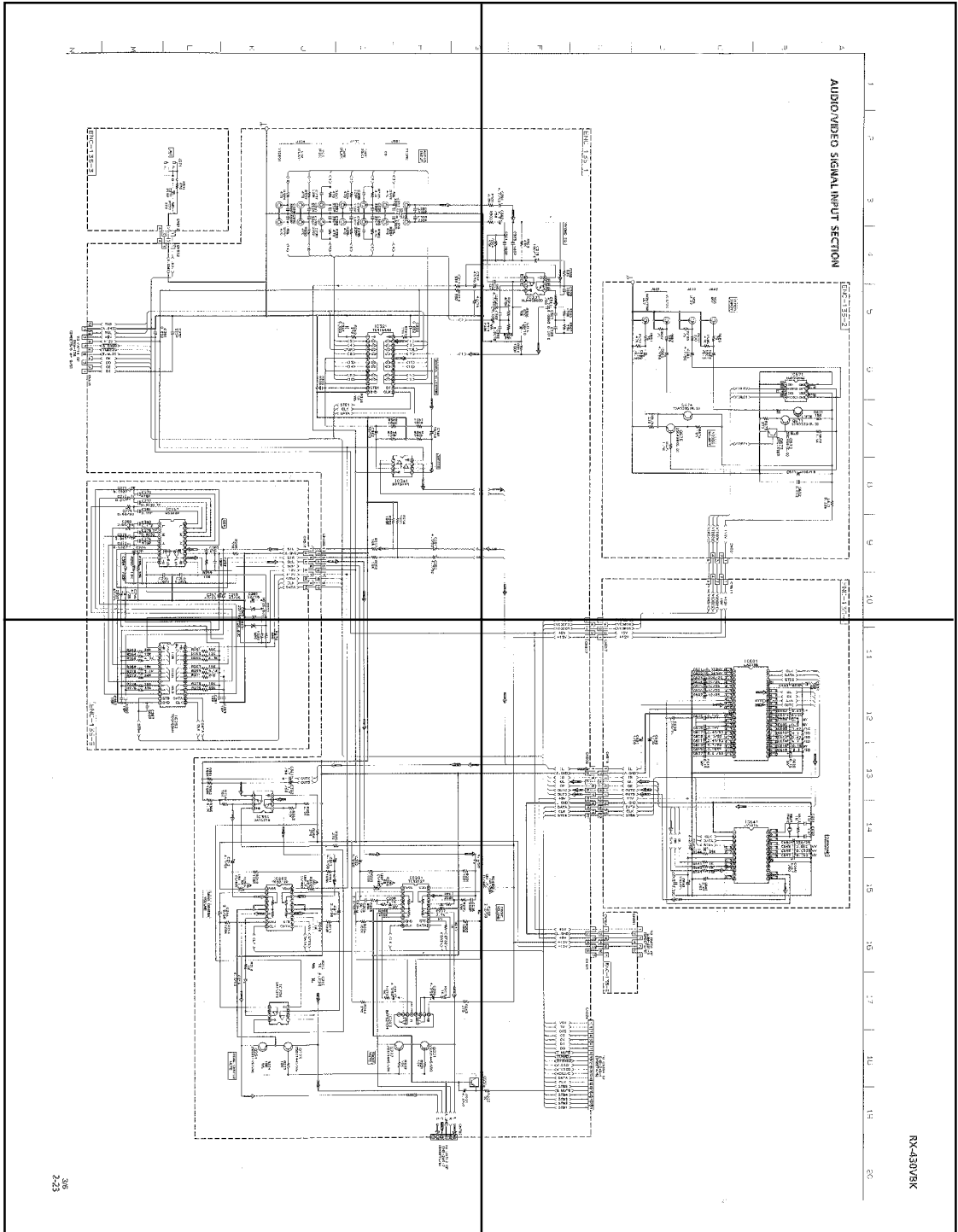




11
12
13
14
15
16
17
18
19
20

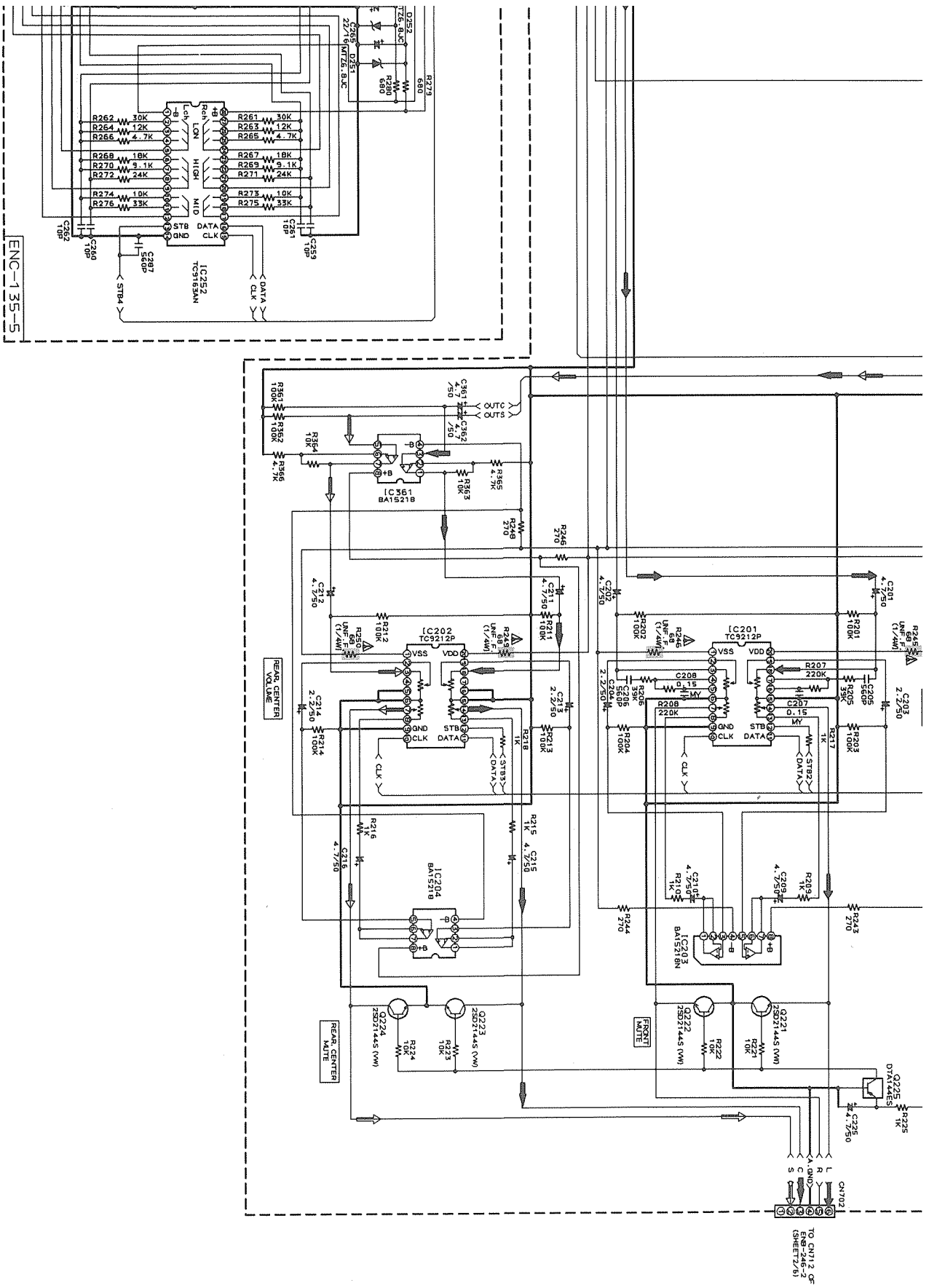
P2-23-a

P2-23-b



P2-23-c

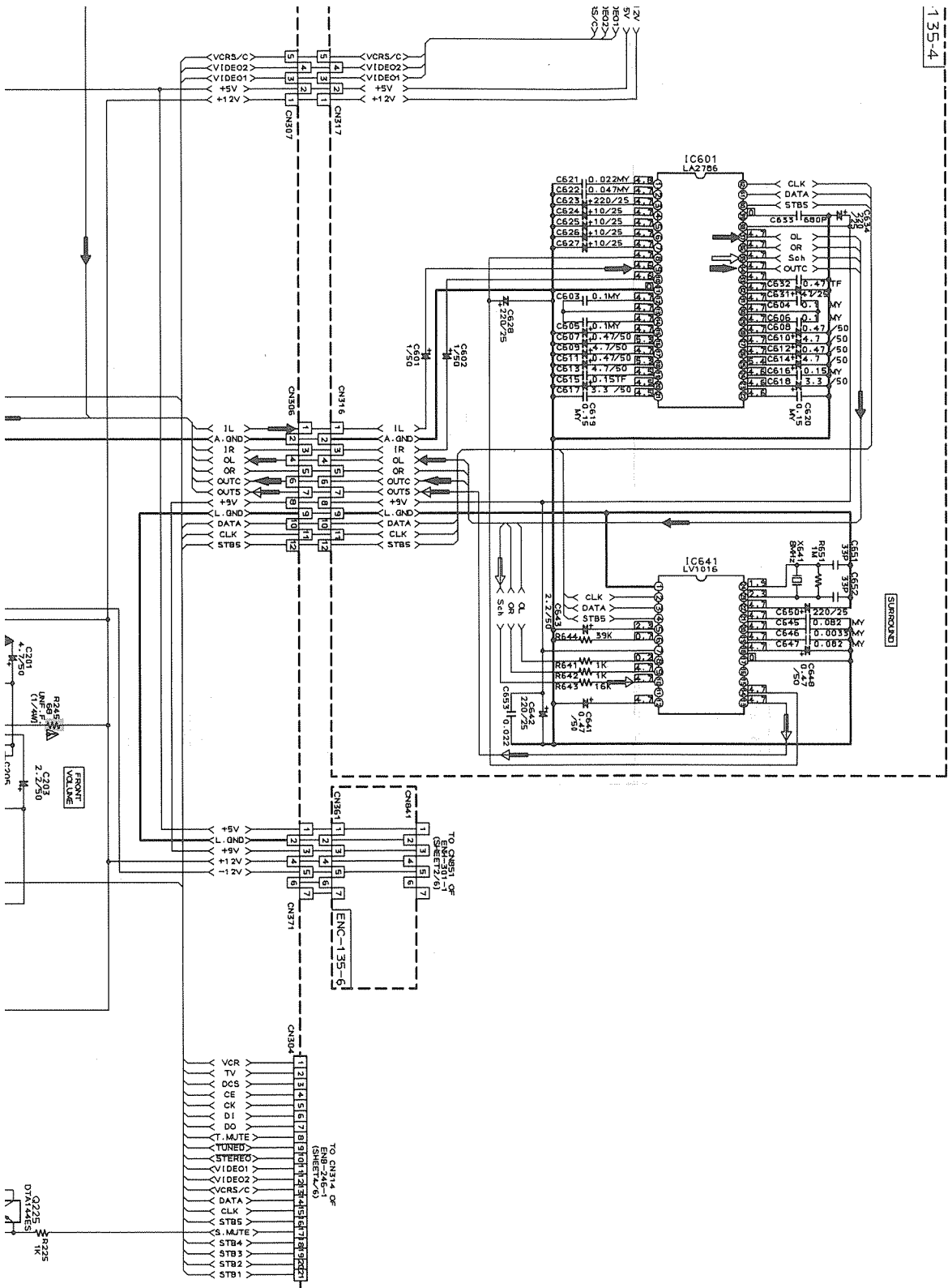
P2-23-d



TO CN12 OF SHEET 7/6

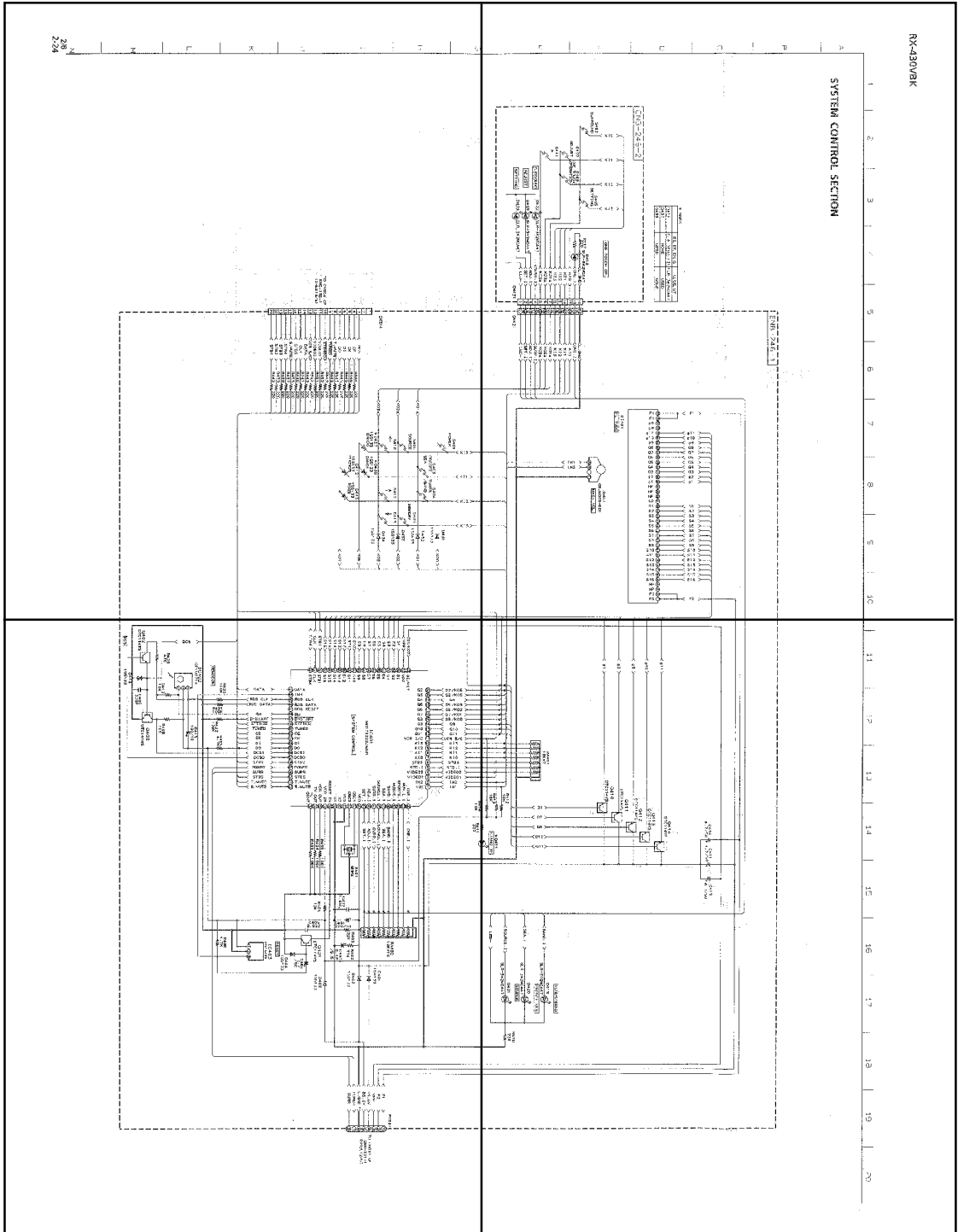
2 | 11 | 12 | 13 | 14 | 15 | 16 | 17 | 18 | 19 | 20

135-4



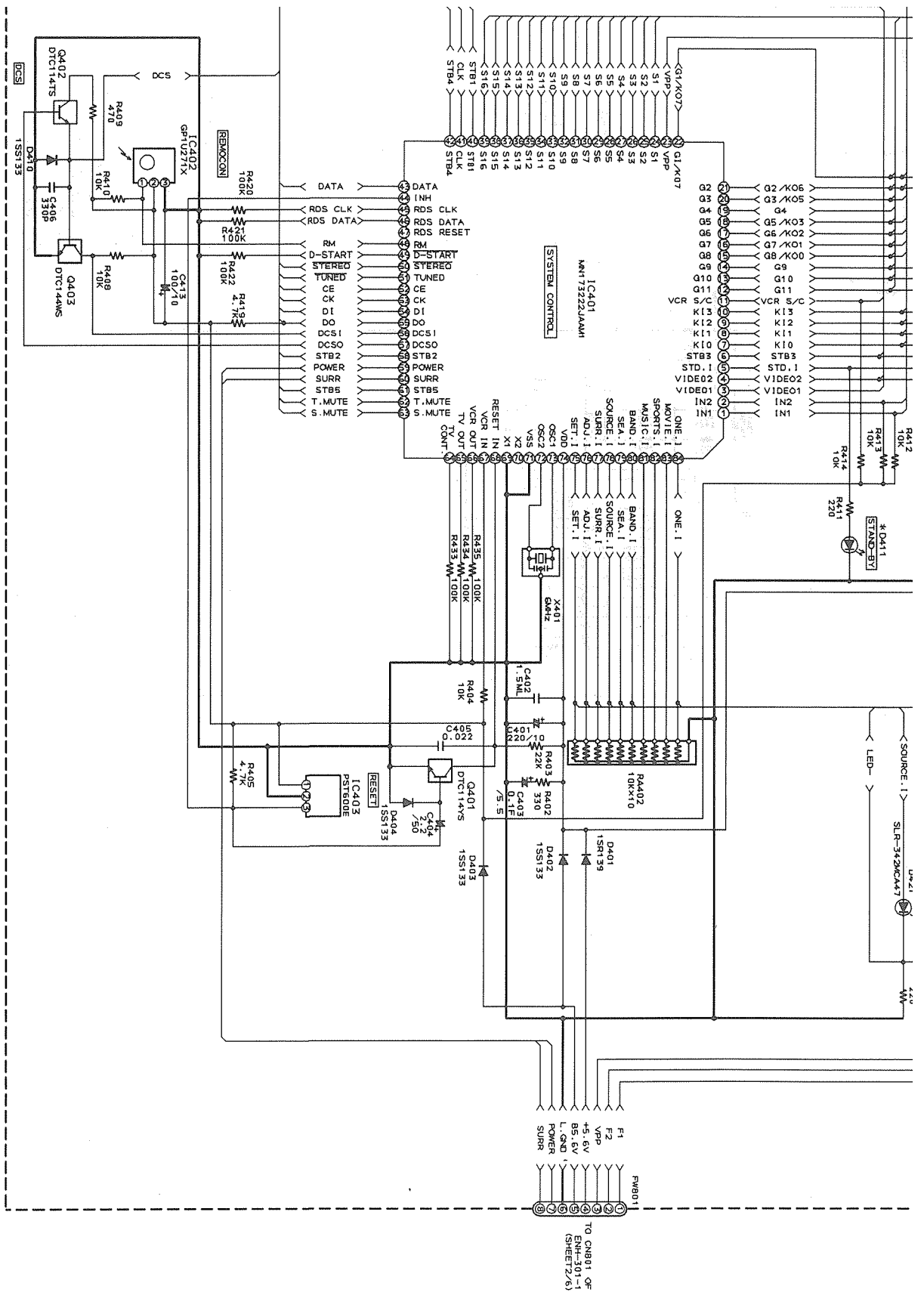
P2-24-a

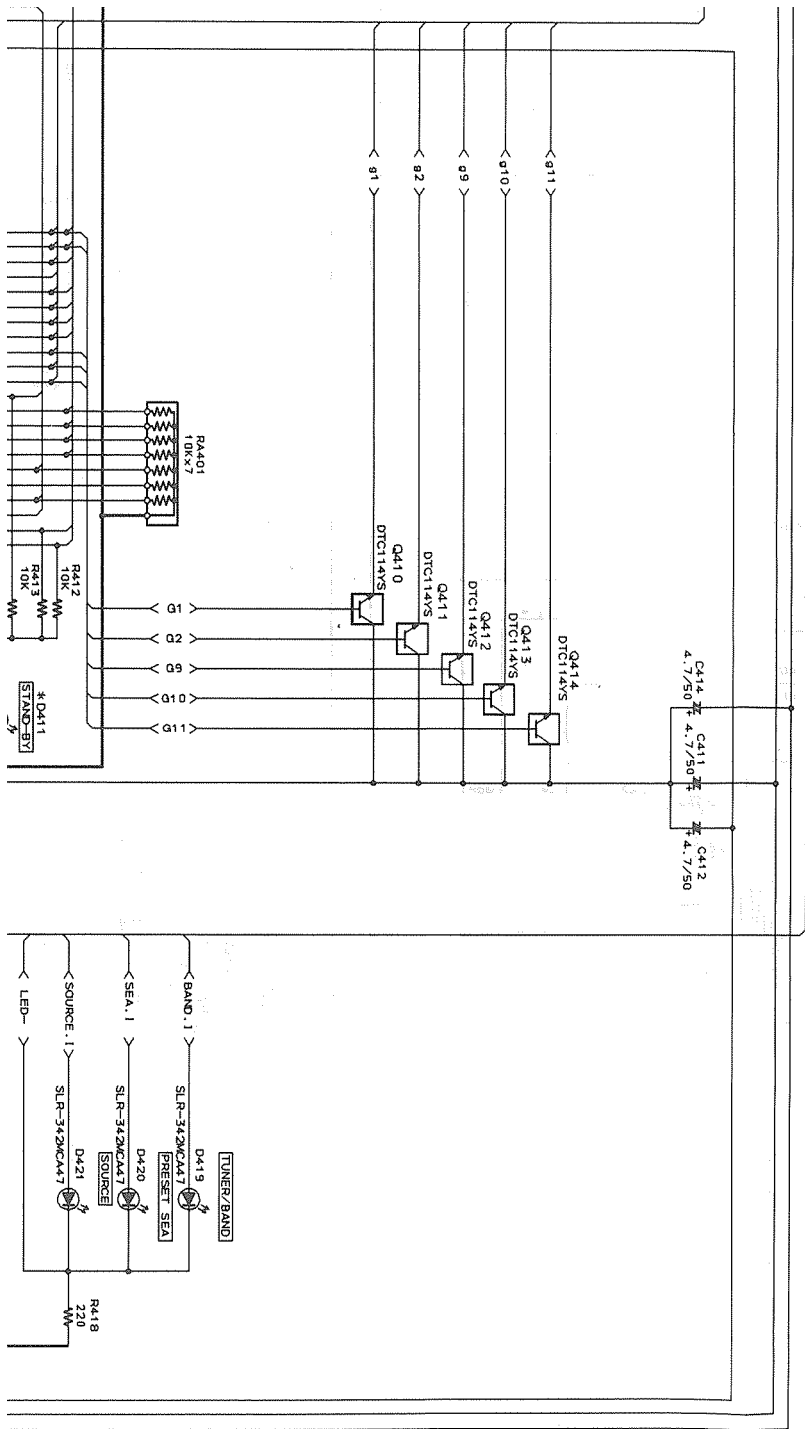
P2-24-b



P2-24-c

P2-24-d



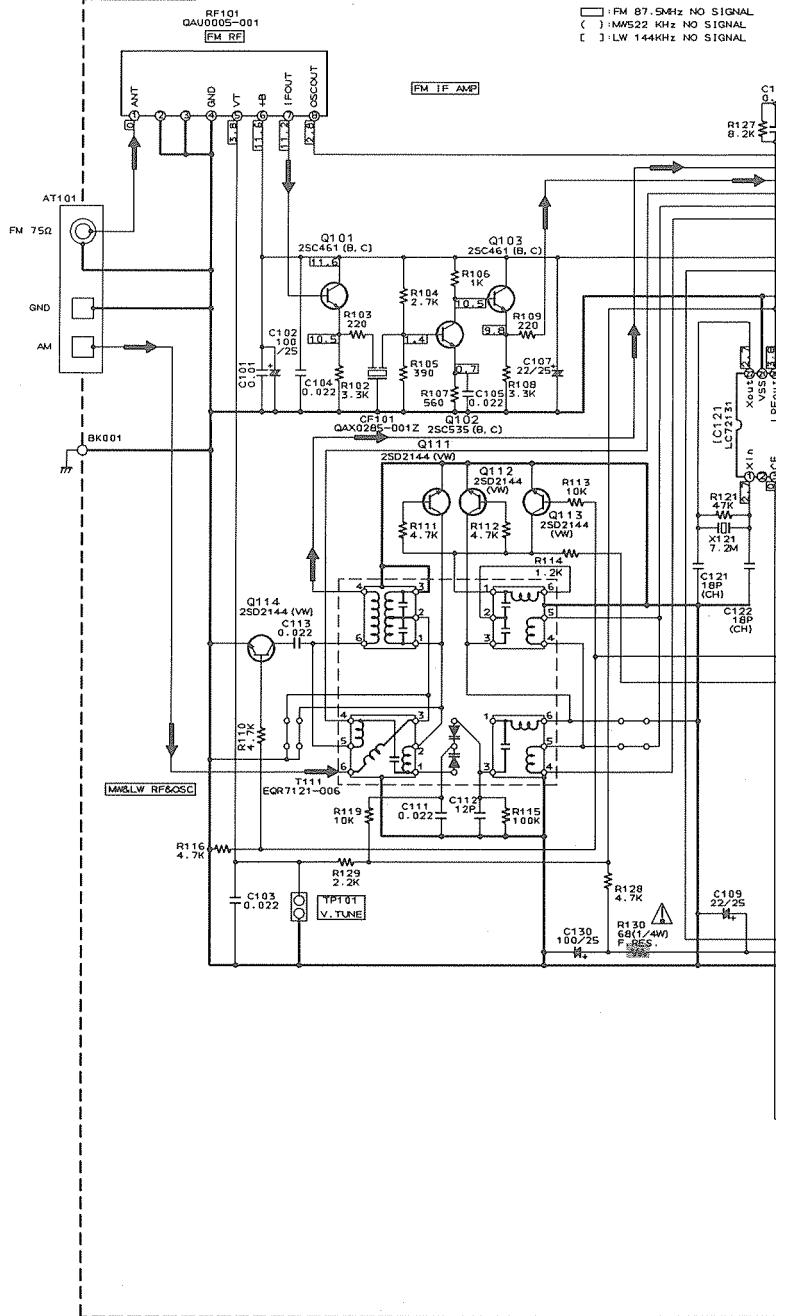


TUNER SECTION (USED FOR BS,EF,EN,G)

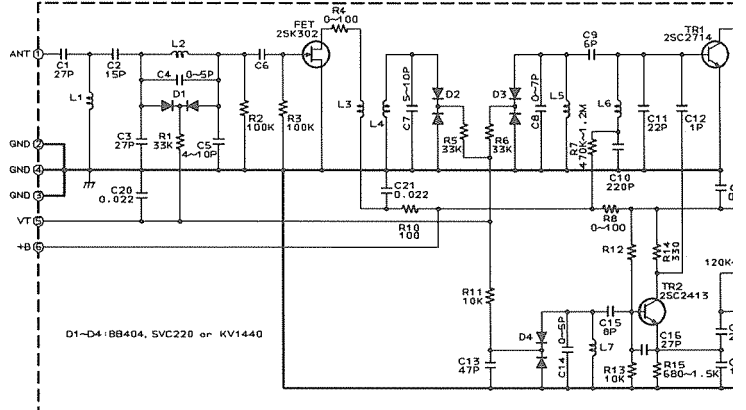
FOR EF, EN, G, BS (WITHOUT RDS)

ENA-178

- FM 87.5MHz NO SIGNAL
- () MW522 KHz NO SIGNAL
- [] LW 144KHz NO SIGNAL



RE101
QAU0005-001



1 2 3 4 5 6 7 8

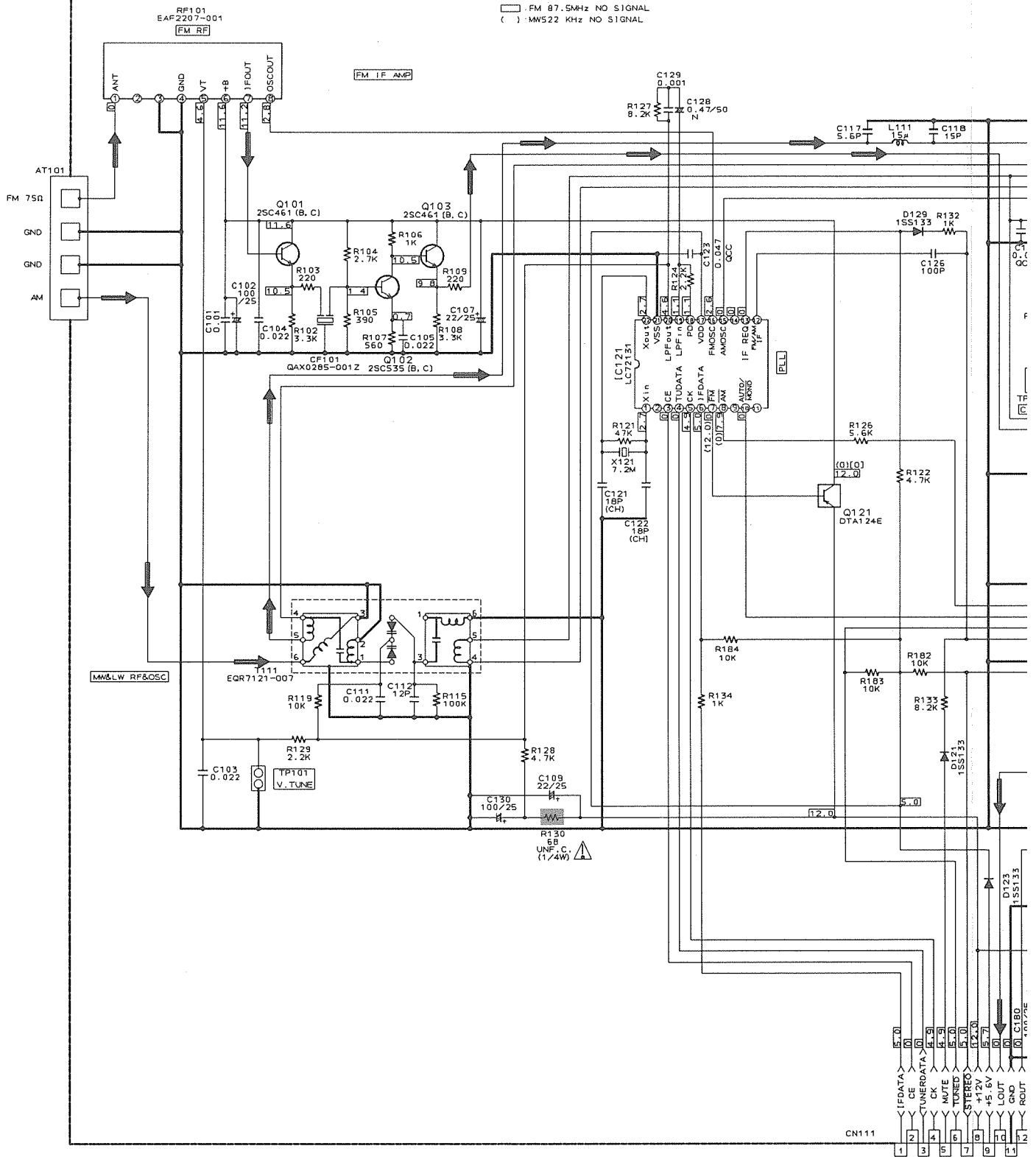
A
B
C
D
E
F
G
H
I
J

TUNER SECTION (USED FOR US,UT,U)

FOR U, UT, US

ENA-178

□ FM 87.5MHz NO SIGNAL
() MW522 KHz NO SIGNAL



CN111
1
2
3
4
5
6
7
8
9
10
11
12

TO CN101 OF
ENC-135-1
(SHEET 3/6)

PARTS LIST

* All printed circuit boards and its assemblies are not available as service parts.

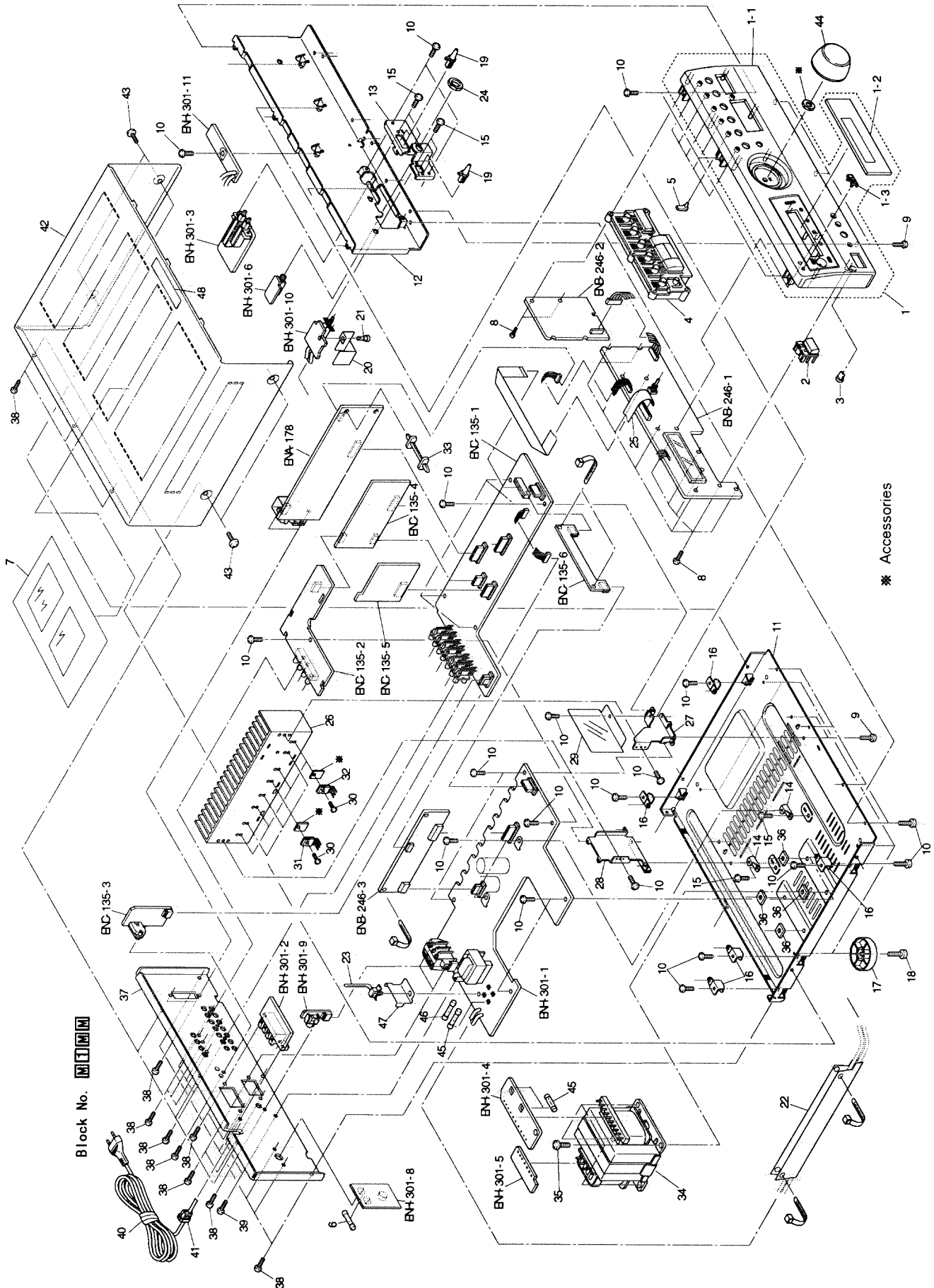
The Marks for Designated Areas

BS --- the U.K.
 EF --- Cntinental Europe Except
 Germany
 EN --- Nordic Countris
 G --- Germany
 US --- Singapore
 UT --- Taiwan
 U --- Universal Except All of
 Above
 No marks indicates all areas.

- Contents -

General Exploded View and Parts List -----	3-2
Electrical Parts List -----	3-4
(ENH-301) -----	3-4
(ENB-246) -----	3-9
(ENC-135) -----	3-13
(ENA-178) -----	3-14
Accessories List -----	3-15
Packing Materials and Parts List -----	3-16

General Exploded View and Parts List



■ Parts List

Block No. **M1M1M1M1**

△	Item	Parts Number	Parts Name	Q'ty	Description	Area
	1	EFP-RX430VBKE(S)	FRONT PANEL ASS'Y	1		BS, EF, EN, G
	1	EFP-RX430VBKU(S)	FRONT PANEL ASS'Y	1		U, US, UT
	1-1	LE10079-007A	FRONT PANEL	1		BS, EF, EN, G
	1-1	LE10079-008A	FRONT PANEL	1		U, US, UT
	1-2	LE30361-002A	WINDOW SCREEN	1		
	1-3	VJD5429-001	JVC MARK	1		
	2	LE30359-001A	POWER BUTTON	1		BS, EF, EN, G
	2	LE30359-002A	POWER BUTTON	1		U, US, UT
	3	FSJD4001-002	INDICATOR LENS	1	POWER	
	4	LE20125-001A	PUSH BUTTON	1		
	5	LE40137-001A	INDICATOR LENS	7	SOURCE	
△	6	QMF51E2-1R6J1	FUSE	1	F803	U, US, UT
	7	E208294-001SM	PROTECT SHEET	1	METAL COVER	U, US, UT
	8	SDSF2608Z	SCREW	11		
	9	SDSG3008M	TAPPING SCREW	6		
	10	SBSG3008CC	TAPPING SCREW	29		
	10	SBSG3008CC	TAPPING SCREW	1		BS, EF, EN, G
	11	LE10081-001A	CHASSIS BASE	1		
	12	LE20126-002A	FRONT BRACKET	1		
	13	LE30365-003A	BRACKET	1		
	14	E68587-223SM	P. W. BOARD BRACKET	2		
	15	SBST3006CC	TAPPING SCREW	4		
	15	SBST3006CC	TAPPING SCREW	2		BS, EF, EN, G
	16	LE40138-001A	GUIDE BRACKET	5		
	17	VJF4039-00MSM	FOOT ASSY	4		
	18	SBST3010Z	TAPPING SCREW	4		
	19	E407321-002SM	PUSH BUTTON	2		
	19	E407321-002SM	PUSH BUTTON	1	POWER	BS, EF, EN, G
	20	LE40264-001A	PROTECTOR COVER	1		BS, EF, EN, G
	21	E310243-002	PLASTIC RIVET	1		BS, EF, EN, G
	22	LE40175-202A	PROTECTOR COVER	1		BS, EF, EN, G
	23	E307572-001	VINYL TIE	1		BS, EF, EN, G
	24	VKZ4150-001	NUT	1		
	25	VWF1221-30TTB	FLAT WIRE	1	FW304	
	26	E309840-005SM	HEAT SINK	1		
	27	E310171-001SM	HEAT SINK BRACKET	1	FRONT SIDE	
	28	E310172-001SM	HEAT SINK BRACKET	1	REAR SIDE	
	29	LE40263-001A	PROTECTOR COVER	1		
	30	E73525-003	SCREW	8		
	31	2SD2389LD/OPY/	SI. TRANSISTOR	4	Q761, Q762, Q507, Q575	
	32	2SB1559LD/OPY/	SI. TRANSISTOR	4	Q763, Q764, Q508, Q576	
	33	E306232-006	FASNER	1		
△	34	QQT0163-001	POWER TRANSFORMER	1		U, US, UT
△	34	QQT0164-003	POWER TRANSFORMER	1		BS, EF, EN, G
	35	E65389-006	SPECIAL SCREW	4		
	36	E406309-002	SPACER	4		
	37	LE20127-002A	REAR PANEL	1		BS, EF, EN, G
	37	LE20127-006A	REAR PANEL	1		U, US, UT
	38	E73273-006	SPECIAL SCREW	20		
	38	E73273-006	SPECIAL SCREW	2		U, US, UT
	39	SBST3006M	TAPPING SCREW	1		BS, EF, EN, G
	39	SBST3006M	TAPPING SCREW	1		
△	40	QMP39E0-200	POWER CORD	1		EF, EN, G, US
△	40	QMP5530-0085BS	POWER CORD	1		BS
△	40	QMP7520-200	POWER CORD	1		U, UT
△	41	QHS3771-108	CORD STOPPER	1		EF, EN, G, U, US, UT
△	41	QHS3771-108BS	CORD STOPPER	1		BS
	42	LE20131-001A(S)	METAL COVER	1		BS, EF, EN, G
	42	LE20131-002A(S)	METAL COVER	1		U, US, UT
	43	E406308-003	SPECIAL SCREW	4		
	44	E309823-001SM	VOLUME KNOB	1		
△	45	QMF51E2-2R0	FUSE	3	F801, F811, F812	BS, EN, EF, G
△	45	QMF51E2-2R0	FUSE	2	F811, F812	U, US, UT
△	45	QMF51E2-3R15J1	FUSE	1	F801	U, US, UT
△	46	QMF51A2-R10S	FUSE	1	F802	
	47	LE40217-001A	PROTECTOR COVER	1		BS, EF, EN, G
	48	E409396-001	CAUTION LABEL	1		

RX-430VBK

Electrical Parts List (ENH-301)

Item	Parts Number	Description	Area
	I. C. S		
IC901	TA7317P	I. C (MONO-ANALOG)	
	DIODES		
D503	1SS133	SI. DIODE	
D511	1SS133	SI. DIODE	
D512	1SS133	SI. DIODE	
D531	1SS133	SI. DIODE	
D585	1SS133	SI. DIODE	
D586	1SS133	SI. DIODE	
D591	1SS133	SI. DIODE	
D781	1SS133	SI. DIODE	
D782	1SS133	SI. DIODE	
D783	1SS133	SI. DIODE	
D784	1SS133	SI. DIODE	
D801	1SR139-200	SI. DIODE	
D802	1SR139-200	SI. DIODE	
D803	1SR139-200	SI. DIODE	
D804	1SR139-200	SI. DIODE	
D805	MTZ12JC	ZENER DIODE	U
D805	MTZ12JC	ZENER DIODE	US
D805	MTZ12JC	ZENER DIODE	UT
D806	1SS133	SI. DIODE	
D807	MTZ6.8JC	ZENER DIODE	
D808	1SS133	SI. DIODE	
D811	10E2-FD	DIODE	
D812	10E2-FD	DIODE	
D815	MTZ10JC	ZENER DIODE	
D822	MTZ13JC	ZENER DIODE	
D840	MTZ10JC	ZENER DIODE	
D841	MTZ16JC	ZENER DIODE	
D851	MTZ13JC	ZENER DIODE	
D860	1SS133	SI. DIODE	BS
D860	1SS133	SI. DIODE	EF
D860	1SS133	SI. DIODE	EN
D860	1SS133	SI. DIODE	G
D861	30DF2SFC	SI. DIODE	
D862	30DF2SFC	SI. DIODE	
D863	30DF2SFC	SI. DIODE	
D864	30DF2SFC	SI. DIODE	
D865	30DF2SFC	SI. DIODE	BS
D865	30DF2SFC	SI. DIODE	EF
D865	30DF2SFC	SI. DIODE	EN
D865	30DF2SFC	SI. DIODE	G
D866	30DF2SFC	SI. DIODE	BS
D866	30DF2SFC	SI. DIODE	EF
D866	30DF2SFC	SI. DIODE	EN
D866	30DF2SFC	SI. DIODE	G
D867	30DF2SFC	SI. DIODE	BS
D867	30DF2SFC	SI. DIODE	EF
D867	30DF2SFC	SI. DIODE	EN
D867	30DF2SFC	SI. DIODE	G
D868	30DF2SFC	SI. DIODE	BS
D868	30DF2SFC	SI. DIODE	EF
D868	30DF2SFC	SI. DIODE	EN
D868	30DF2SFC	SI. DIODE	G
D885	MTZ6.2JC	ZENER DIODE	
D891	MTZ6.2JC	ZENER DIODE	
D901	1SS133	SI. DIODE	
D902	1SS133	SI. DIODE	
D921	1SS133	SI. DIODE	
D925	1SS133	SI. DIODE	
D951	1SS133	SI. DIODE	
D952	1SS133	SI. DIODE	
	TRANSISTORS		
Q501	2SC2240 (BL)	SI. TRANSISTOR	
Q502	2SC2240 (BL)	SI. TRANSISTOR	
Q503	2SA1038 (R. S)	SI. TRANSISTOR	
Q509	2SC2389 (S. E)	SI. TRANSISTOR	
Q511	2SC2389 (S. E)	SI. TRANSISTOR	

Item	Parts Number	Description	Area
Q512	2SA1038 (R. S)	SI. TRANSISTOR	
Q540	2SD636	SI. TRANSISTOR	
Q568	2SD636	SI. TRANSISTOR	
Q585	2SC2389 (S. E)	SI. TRANSISTOR	
Q586	2SA1038 (R. S)	SI. TRANSISTOR	
Q591	2SC2389 (S. E)	SI. TRANSISTOR	
Q741	2SD636	SI. TRANSISTOR	
Q742	2SD636	SI. TRANSISTOR	
Q781	2SC2389 (S. E)	SI. TRANSISTOR	
Q782	2SC2389 (S. E)	SI. TRANSISTOR	
Q783	2SA1038 (R. S)	SI. TRANSISTOR	
Q784	2SA1038 (R. S)	SI. TRANSISTOR	
Q802	2SC2235 (O. Y)	SI. TRANSISTOR	
Q803	DTC114ES	DIGITAL TRANSISTOR	
Q805	2SD1266	SI. TRANSISTOR	U
Q805	2SD1266	SI. TRANSISTOR	US
Q805	2SD1266	SI. TRANSISTOR	UT
Q811	2SC2235 (O. Y)	SI. TRANSISTOR	
Q821	2SB1187 (F. G)	SI. TRANSISTOR	
Q841	2SB1187 (F. G)	SI. TRANSISTOR	
Q851	2SD2061 (F. G)	SI. TRANSISTOR	
Q860	DTC123YS	DIGITAL TRANSISTOR	BS
Q860	DTC123YS	DIGITAL TRANSISTOR	EF
Q860	DTC123YS	DIGITAL TRANSISTOR	EN
Q860	DTC123YS	DIGITAL TRANSISTOR	G
Q885	2SC2240 (GR. BL)	SI. TRANSISTOR	
Q891	2SD2061 (F. G)	SI. TRANSISTOR	
Q901	2SC2389 (S. E)	SI. TRANSISTOR	
Q902	2SC2389 (S. E)	SI. TRANSISTOR	
Q903	2SA1038 (R. S)	SI. TRANSISTOR	
Q951	DTC123YS	DIGITAL TRANSISTOR	
Q955	2SD2144S (VW)	SI. TRANSISTOR	
Q956	DTA144ES	DIGITAL TRANSISTOR	
Q957	DTC114YS	DIGITAL TRANSISTOR	
	CAPACITORS		
C001	QCZ9019-472	4700PF C. CAP.	BS
C001	QCZ9019-472	4700PF C. CAP.	EF
C001	QCZ9019-472	4700PF C. CAP.	EN
C001	QCZ9019-472	4700PF C. CAP.	G
C501	QETB1HM-106	10MF 50V E. CAP.	
C502	QCS21HJ-271A	270PF 50V CER. CAP.	
C503	QCS21HJ-101A	100PF 50V CER. CAP.	
C507	QCS21HJ-100	10PF 50V CER. CAP.	
C508	QETB1CM-476	47MF 16V AL. E. CAP.	
C511	QETB1HM-225	2.2MF 50V AL. E. CAP.	
C512	QFLB1HJ-103	0.01MF 50V MYLAR CAP.	
C513	QCS22HJ-330	33PF 500V CER. CAP.	
C514	QETB1HM-476	47MF 50V E. CAP.	
C517	QETB2AM-106	10MF 100V AL. E. CAP.	
C521	QCS22HJ-470A	47PF 500V CER. CAP.	
C522	QCS22HJ-470A	47PF 500V CER. CAP.	
C543	QFLB1HJ-473	0.047MF 50V MYLAR CAP.	
C544	QFLB1HJ-473	0.047MF 50V MYLAR CAP.	
C571	QCS22HJ-470A	47PF 500V CER. CAP.	
C572	QCS22HJ-470A	47PF 500V CER. CAP.	
C581	QFLB1HJ-473	0.047MF 50V MYLAR CAP.	
C582	QFLB1HJ-473	0.047MF 50V MYLAR CAP.	
C751	QCS22HJ-470A	47PF 500V CER. CAP.	
C752	QCS22HJ-470A	47PF 500V CER. CAP.	
C753	QCS22HJ-470A	47PF 500V CER. CAP.	
C754	QCS22HJ-470A	47PF 500V CER. CAP.	
C771	QFLB1HJ-473	0.047MF 50V MYLAR CAP.	
C772	QFLB1HJ-473	0.047MF 50V MYLAR CAP.	
C773	QFLB1HJ-473	0.047MF 50V MYLAR CAP.	
C774	QFLB1HJ-473	0.047MF 50V MYLAR CAP.	
C800	QCHB1EZ-223	0.022MF 25V CER. CAP.	BS
C800	QCHB1EZ-223	0.022MF 25V CER. CAP.	EF
C800	QCHB1EZ-223	0.022MF 25V CER. CAP.	EN
C800	QCHB1EZ-223	0.022MF 25V CER. CAP.	G

Electrical Parts List (ENH-301)

Item	Parts Number	Description	Area
C801	QFN82AK-472	4700PF 100V METAL. MYLAR	
C802	QETB1JM-227	220MF 63V AL E. CAP.	U
C802	QETB1JM-227	220MF 63V AL E. CAP.	US
C802	QETB1JM-227	220MF 63V AL E. CAP.	UT
C802	QETC1EM-227ZN	220MF 25V AL E. CAP.	BS
C802	QETC1EM-227ZN	220MF 25V AL E. CAP.	EF
C802	QETC1EM-227ZN	220MF 25V AL E. CAP.	EN
C802	QETC1EM-227ZN	220MF 25V AL E. CAP.	G
C803	QETB1CM-476	47MF 16V AL E. CAP.	
C804	QCF21HP-223A	4700PF C. CAP.	
C811	QETB1VM-228N	2200MF 35V E. CAP.	
C812	QFN82AJ-104	0.1MF 100V MYLAR CAP.	
C813	QFN82AJ-104	0.1MF 100V MYLAR CAP.	
C814	QETB1HM-476	47MF 50V E. CAP.	
C815	QETB1HM-476	47MF 50V E. CAP.	
C816	QCF21HP-223A	0.022MF 50V CER. CAP.	BS
C816	QCF21HP-223A	0.022MF 50V CER. CAP.	EF
C816	QCF21HP-223A	0.022MF 50V CER. CAP.	EN
C816	QCF21HP-223A	0.022MF 50V CER. CAP.	G
C817	QCF21HP-223A	0.022MF 50V CER. CAP.	BS
C817	QCF21HP-223A	0.022MF 50V CER. CAP.	EF
C817	QCF21HP-223A	0.022MF 50V CER. CAP.	EN
C817	QCF21HP-223A	0.022MF 50V CER. CAP.	G
C820	QCB1HK-471Y	470PF 50V CER. CAP.	BS
C820	QCB1HK-471Y	470PF 50V CER. CAP.	EF
C820	QCB1HK-471Y	470PF 50V CER. CAP.	EN
C820	QCB1HK-471Y	470PF 50V CER. CAP.	G
C821	QETB1HM-476	47MF 50V E. CAP.	
C822	QETB1HM-476	47MF 50V E. CAP.	
C840	QETB1HM-476	47MF 50V E. CAP.	
C841	QETB1HM-476	47MF 50V E. CAP.	
C845	QETB1HM-476	47MF 50V E. CAP.	
C853	QETB1EM-107	100MF 25V AL E. CAP.	
C854	QETB1EM-107	100MF 25V AL E. CAP.	
C861	QE20225-478	4700MF E. CAP.	
C862	QE20225-478	4700MF E. CAP.	
C863	QFN82CK-104	0.1MF 160V METAL. MYLAR	
C864	QFN82CK-104	0.1MF 160V METAL. MYLAR	
C865	QFN82CK-104	0.1MF 160V METAL. MYLAR	
C866	QFN82CK-104	0.1MF 160V METAL. MYLAR	BS
C866	QFN82CK-104	0.1MF 160V METAL. MYLAR	EF
C866	QFN82CK-104	0.1MF 160V METAL. MYLAR	EN
C866	QFN82CK-104	0.1MF 160V METAL. MYLAR	G
C867	QFN82CK-104	0.1MF 160V METAL. MYLAR	BS
C867	QFN82CK-104	0.1MF 160V METAL. MYLAR	EF
C867	QFN82CK-104	0.1MF 160V METAL. MYLAR	EN
C867	QFN82CK-104	0.1MF 160V METAL. MYLAR	G
C868	QFN82CK-104	0.1MF 160V METAL. MYLAR	BS
C868	QFN82CK-104	0.1MF 160V METAL. MYLAR	EF
C868	QFN82CK-104	0.1MF 160V METAL. MYLAR	EN
C868	QFN82CK-104	0.1MF 160V METAL. MYLAR	G
C885	QETB1HM-105	1MF 50V AL E. CAP.	
C896	QETB1EM-107	100MF 25V AL E. CAP.	
C903	QETB1HM-226E	22MF 50V E. CAP.	
C904	QCY31HK-102Z	1000PF 50V CER. CAP.	
C905	QETC1AM-476ZM	47MF 10V E. CAP.	
C906	QCF21HP-103A	0.01MF 50V CER. CAP.	
C909	QETB1CM-226	22MF 16V E. CAP.	
C925	QETB1HM-225	2.2MF 50V AL E. CAP.	
C931	QFLB1HJ-223	0.022MF 50V MYLAR CAP.	BS
C931	QFLB1HJ-223	0.022MF 50V MYLAR CAP.	EF
C931	QFLB1HJ-223	0.022MF 50V MYLAR CAP.	EN
C931	QFLB1HJ-223	0.022MF 50V MYLAR CAP.	G
C932	QFLB1HJ-223	0.022MF 50V MYLAR CAP.	BS
C932	QFLB1HJ-223	0.022MF 50V MYLAR CAP.	EF
C932	QFLB1HJ-223	0.022MF 50V MYLAR CAP.	EN
C932	QFLB1HJ-223	0.022MF 50V MYLAR CAP.	G
C933	QFLB1HJ-223	0.022MF 50V MYLAR CAP.	BS
C933	QFLB1HJ-223	0.022MF 50V MYLAR CAP.	EF

Item	Parts Number	Description	Area
C933	QFLB1HJ-223	0.022MF 50V MYLAR CAP.	EN
C933	QFLB1HJ-223	0.022MF 50V MYLAR CAP.	G
C934	QFLB1HJ-223	0.022MF 50V MYLAR CAP.	BS
C934	QFLB1HJ-223	0.022MF 50V MYLAR CAP.	EF
C934	QFLB1HJ-223	0.022MF 50V MYLAR CAP.	EN
C934	QFLB1HJ-223	0.022MF 50V MYLAR CAP.	G
C935	QCS21HJ-221	220PF 50V CER. CAP.	BS
C935	QCS21HJ-221	220PF 50V CER. CAP.	EF
C935	QCS21HJ-221	220PF 50V CER. CAP.	EN
C935	QCS21HJ-221	220PF 50V CER. CAP.	G
C936	QCS21HJ-221	220PF 50V CER. CAP.	BS
C936	QCS21HJ-221	220PF 50V CER. CAP.	EF
C936	QCS21HJ-221	220PF 50V CER. CAP.	EN
C936	QCS21HJ-221	220PF 50V CER. CAP.	G
C937	QCS21HJ-221	220PF 50V CER. CAP.	BS
C937	QCS21HJ-221	220PF 50V CER. CAP.	EF
C937	QCS21HJ-221	220PF 50V CER. CAP.	EN
C937	QCS21HJ-221	220PF 50V CER. CAP.	G
C938	QCS21HJ-221	220PF 50V CER. CAP.	BS
C938	QCS21HJ-221	220PF 50V CER. CAP.	EF
C938	QCS21HJ-221	220PF 50V CER. CAP.	EN
C938	QCS21HJ-221	220PF 50V CER. CAP.	G
C941	QCS21HJ-221	220PF 50V CER. CAP.	BS
C941	QCS21HJ-221	220PF 50V CER. CAP.	EF
C941	QCS21HJ-221	220PF 50V CER. CAP.	EN
C941	QCS21HJ-221	220PF 50V CER. CAP.	G
C942	QCS21HJ-221	220PF 50V CER. CAP.	BS
C942	QCS21HJ-221	220PF 50V CER. CAP.	EF
C942	QCS21HJ-221	220PF 50V CER. CAP.	EN
C942	QCS21HJ-221	220PF 50V CER. CAP.	G
C943	QCS21HJ-221	220PF 50V CER. CAP.	BS
C943	QCS21HJ-221	220PF 50V CER. CAP.	EF
C943	QCS21HJ-221	220PF 50V CER. CAP.	EN
C943	QCS21HJ-221	220PF 50V CER. CAP.	G
C944	QCS21HJ-221	220PF 50V CER. CAP.	BS
C944	QCS21HJ-221	220PF 50V CER. CAP.	EF
C944	QCS21HJ-221	220PF 50V CER. CAP.	EN
C944	QCS21HJ-221	220PF 50V CER. CAP.	G
C945	QCS21HJ-221	220PF 50V CER. CAP.	BS
C945	QCS21HJ-221	220PF 50V CER. CAP.	EF
C945	QCS21HJ-221	220PF 50V CER. CAP.	EN
C945	QCS21HJ-221	220PF 50V CER. CAP.	G
C946	QCS21HJ-221	220PF 50V CER. CAP.	BS
C946	QCS21HJ-221	220PF 50V CER. CAP.	EF
C946	QCS21HJ-221	220PF 50V CER. CAP.	EN
C946	QCS21HJ-221	220PF 50V CER. CAP.	G
C955	QCB1HK-331Y	330PF 50V CER. CAP.	
C956	QCB1HK-331Y	330PF 50V CER. CAP.	
C961	QCB1HK-331Y	330PF 50V CER. CAP.	
C962	QCB1HK-331Y	330PF 50V CER. CAP.	
C971	QFLB1HJ-223	0.022MF 50V MYLAR CAP.	BS
C971	QFLB1HJ-223	0.022MF 50V MYLAR CAP.	EF
C971	QFLB1HJ-223	0.022MF 50V MYLAR CAP.	EN
C971	QFLB1HJ-223	0.022MF 50V MYLAR CAP.	G
C972	QCS21HJ-221	220PF 50V CER. CAP.	BS
C972	QCS21HJ-221	220PF 50V CER. CAP.	EF
C972	QCS21HJ-221	220PF 50V CER. CAP.	EN
C972	QCS21HJ-221	220PF 50V CER. CAP.	G
C973	QCS21HJ-221	220PF 50V CER. CAP.	BS
C973	QCS21HJ-221	220PF 50V CER. CAP.	EF
C973	QCS21HJ-221	220PF 50V CER. CAP.	EN
C973	QCS21HJ-221	220PF 50V CER. CAP.	G
C974	QCS21HJ-221	220PF 50V CER. CAP.	BS
C974	QCS21HJ-221	220PF 50V CER. CAP.	EF
C974	QCS21HJ-221	220PF 50V CER. CAP.	EN
C974	QCS21HJ-221	220PF 50V CER. CAP.	G
C981	QFLB1HJ-223	0.022MF 50V MYLAR CAP.	BS
C981	QFLB1HJ-223	0.022MF 50V MYLAR CAP.	EF
C981	QFLB1HJ-223	0.022MF 50V MYLAR CAP.	EN

RX-430VBK

Electrical Parts List (ENH-301)

Item	Parts Number	Description	Area
C981	QFLB1HJ-223	0.022MF 50V MYLAR CAP.	G
C982	QFLB1HJ-223	0.022MF 50V MYLAR CAP.	BS
C982	QFLB1HJ-223	0.022MF 50V MYLAR CAP.	EF
C982	QFLB1HJ-223	0.022MF 50V MYLAR CAP.	EN
C982	QFLB1HJ-223	0.022MF 50V MYLAR CAP.	G
C983	QCS21HJ-221	220PF 50V CER. CAP.	BS
C983	QCS21HJ-221	220PF 50V CER. CAP.	EF
C983	QCS21HJ-221	220PF 50V CER. CAP.	EN
C983	QCS21HJ-221	220PF 50V CER. CAP.	G
C984	QCS21HJ-221	220PF 50V CER. CAP.	BS
C984	QCS21HJ-221	220PF 50V CER. CAP.	EF
C984	QCS21HJ-221	220PF 50V CER. CAP.	EN
C984	QCS21HJ-221	220PF 50V CER. CAP.	G
C985	QCS21HJ-221	220PF 50V CER. CAP.	BS
C985	QCS21HJ-221	220PF 50V CER. CAP.	EF
C985	QCS21HJ-221	220PF 50V CER. CAP.	EN
C985	QCS21HJ-221	220PF 50V CER. CAP.	G
C986	QCS21HJ-221	220PF 50V CER. CAP.	BS
C986	QCS21HJ-221	220PF 50V CER. CAP.	EF
C986	QCS21HJ-221	220PF 50V CER. CAP.	EN
C986	QCS21HJ-221	220PF 50V CER. CAP.	G
C987	QCS21HJ-221	220PF 50V CER. CAP.	BS
C987	QCS21HJ-221	220PF 50V CER. CAP.	EF
C987	QCS21HJ-221	220PF 50V CER. CAP.	EN
C987	QCS21HJ-221	220PF 50V CER. CAP.	G
RESISTORS			
R001	QRD161J-103	10K 1/6W CARBON RES.	U
R001	QRD161J-103	10K 1/6W CARBON RES.	US
R001	QRD161J-103	10K 1/6W CARBON RES.	UT
R002	QRD161J-103	10K 1/6W CARBON RES.	U
R002	QRD161J-103	10K 1/6W CARBON RES.	US
R002	QRD161J-103	10K 1/6W CARBON RES.	UT
R003	QRD161J-103	10K 1/6W CARBON RES.	U
R003	QRD161J-103	10K 1/6W CARBON RES.	US
R003	QRD161J-103	10K 1/6W CARBON RES.	UT
R501	QRD161J-222	2.2K 1/6W CARBON RES.	
R502	QRD161J-104	100K 1/6W CARBON RES.	
R503	QRD161J-222	2.2K 1/6W CARBON RES.	
R504	QRD161J-222	2.2K 1/6W CARBON RES.	
R505	QRD161J-123	12K 1/6W CARBON RES.	U
R505	QRD161J-123	12K 1/6W CARBON RES.	US
R505	QRD161J-123	12K 1/6W CARBON RES.	UT
R505	QRD161J-133Y	13K 1/6W CARBON RES.	BS
R505	QRD161J-133Y	13K 1/6W CARBON RES.	EF
R505	QRD161J-133Y	13K 1/6W CARBON RES.	EN
R505	QRD161J-133Y	13K 1/6W CARBON RES.	G
R507	QRD161J-104	100K 1/6W CARBON RES.	
R508	QRD161J-911	910 1/6W CARBON RES.	
R511	QRD14CJ-271S	270 1/4W UNF. CARBON R	BS
R511	QRD14CJ-271S	270 1/4W UNF. CARBON R	EF
R511	QRD14CJ-271S	270 1/4W UNF. CARBON R	EN
R511	QRD14CJ-271S	270 1/4W UNF. CARBON R	G
R511	QRD14CJ-301SX	300 1/4W UNF. CARBON R	U
R511	QRD14CJ-301SX	300 1/4W UNF. CARBON R	US
R511	QRD14CJ-301SX	300 1/4W UNF. CARBON R	UT
R512	QRD167J-272	2.7K 1/6W CARBON RES.	
R513	QRD167J-272	2.7K 1/6W CARBON RES.	
R514	QRD167J-272	2.7K 1/6W CARBON RES.	
R515	QRD167J-272	2.7K 1/6W CARBON RES.	
R517	QRD14CJ-100SX	10 1/4W UNF. CARBON R	
R518	QRD14CJ-100SX	10 1/4W UNF. CARBON R	
R523	QRD14CJ-100SX	10 1/4W UNF. CARBON R	
R524	QRD14CJ-100SX	10 1/4W UNF. CARBON R	
R527	QRZ0195-R22	0.22 1W FUSIBLE RES.	
R528	QRD125J-330	33 1/2W UNF. CARBON R	
R531	QRD161J-102	1K 1/6W CARBON RES.	
R532	QRD161J-183	18K 1/6W CARBON RES.	
R533	QRD161J-123	12K 1/6W CARBON RES.	
R541	QRD161J-102	1K 1/6W CARBON RES.	

Item	Parts Number	Description	Area
R542	QRD161J-361	360 1/6W CARBON RES.	
R543	QRD161J-181	180 1/6W CARBON RES.	
R544	QRD161J-181	180 1/6W CARBON RES.	
R545	QRD161J-181	180 1/6W CARBON RES.	
R546	QRD161J-181	180 1/6W CARBON RES.	
R547	QRG022J-100A	10 2W OXIDE METAL	
R548	QRD161J-104	100K 1/6W CARBON RES.	
R549	QRD161J-301	300 1/6W CARBON RES.	
R562	QRD161J-102	1K 1/6W CARBON RES.	
R567	QRD161J-361	360 1/6W CARBON RES.	
R571	QRD14CJ-100SX	10 1/4W UNF. CARBON R	
R572	QRD14CJ-100SX	10 1/4W UNF. CARBON R	
R576	QRD161J-301	300 1/6W CARBON RES.	
R577	QRZ0195-R22	0.22 1W FUSIBLE RES.	
R581	QRD125J-330	33 1/2W UNF. CARBON R	
R582	QRG022J-100A	10 2W OXIDE METAL	
R585	QRD161J-181	180 1/6W CARBON RES.	
R586	QRD161J-181	180 1/6W CARBON RES.	
R587	QRD161J-181	180 1/6W CARBON RES.	
R588	QRD161J-181	180 1/6W CARBON RES.	
R591	QRD161J-102	1K 1/6W CARBON RES.	
R592	QRD161J-183	18K 1/6W CARBON RES.	
R593	QRD161J-123	12K 1/6W CARBON RES.	
R594	QRD161J-104	100K 1/6W CARBON RES.	
R743	QRD161J-471	470 1/6W CARBON RES.	
R744	QRD161J-471	470 1/6W CARBON RES.	
R745	QRD161J-361	360 1/6W CARBON RES.	
R746	QRD161J-361	360 1/6W CARBON RES.	
R747	QRD161J-102	1K 1/6W CARBON RES.	
R748	QRD161J-102	1K 1/6W CARBON RES.	
R751	QRD14CJ-100SX	10 1/4W UNF. CARBON R	
R752	QRD14CJ-100SX	10 1/4W UNF. CARBON R	
R753	QRD14CJ-100SX	10 1/4W UNF. CARBON R	
R754	QRD14CJ-100SX	10 1/4W UNF. CARBON R	
R771	QRZ0195-R22	0.22 1W FUSIBLE RES.	
R772	QRZ0195-R22	0.22 1W FUSIBLE RES.	
R773	QRD125J-330	33 1/2W UNF. CARBON R	
R774	QRD125J-330	33 1/2W UNF. CARBON R	
R775	QRG022J-100A	10 2W OXIDE METAL	
R776	QRG022J-100A	10 2W OXIDE METAL	
R781	QRD161J-181	180 1/6W CARBON RES.	
R782	QRD161J-181	180 1/6W CARBON RES.	
R783	QRD161J-181	180 1/6W CARBON RES.	
R784	QRD161J-181	180 1/6W CARBON RES.	
R785	QRD161J-181	180 1/6W CARBON RES.	U
R785	QRD161J-181	180 1/6W CARBON RES.	US
R785	QRD161J-181	180 1/6W CARBON RES.	UT
R785	QRD167J-151	150 1/6W CARBON RES.	BS
R785	QRD167J-151	150 1/6W CARBON RES.	EF
R785	QRD167J-151	150 1/6W CARBON RES.	EN
R785	QRD167J-151	150 1/6W CARBON RES.	G
R786	QRD161J-181	180 1/6W CARBON RES.	U
R786	QRD161J-181	180 1/6W CARBON RES.	US
R786	QRD161J-181	180 1/6W CARBON RES.	UT
R786	QRD167J-151	150 1/6W CARBON RES.	BS
R786	QRD167J-151	150 1/6W CARBON RES.	EF
R786	QRD167J-151	150 1/6W CARBON RES.	EN
R786	QRD167J-151	150 1/6W CARBON RES.	G
R787	QRD161J-181	180 1/6W CARBON RES.	U
R787	QRD161J-181	180 1/6W CARBON RES.	US
R787	QRD161J-181	180 1/6W CARBON RES.	UT
R787	QRD167J-151	150 1/6W CARBON RES.	BS
R787	QRD167J-151	150 1/6W CARBON RES.	EF
R787	QRD167J-151	150 1/6W CARBON RES.	EN
R787	QRD167J-151	150 1/6W CARBON RES.	G
R788	QRD161J-181	180 1/6W CARBON RES.	U
R788	QRD161J-181	180 1/6W CARBON RES.	US
R788	QRD161J-181	180 1/6W CARBON RES.	UT
R788	QRD167J-151	150 1/6W CARBON RES.	BS

Electrical Parts List (ENH-301)

Item	Parts Number	Description	Area
R788	QRD167J-151	150 1/6W CARBON RES.	EF
R788	QRD167J-151	150 1/6W CARBON RES.	EN
R788	QRD167J-151	150 1/6W CARBON RES.	G
R801	QRZ0076-3R3	3.3 1/4W FUSIBLE RES.	U
R801	QRZ0076-3R3	3.3 1/4W FUSIBLE RES.	US
R801	QRZ0076-3R3	3.3 1/4W FUSIBLE RES.	UT
R801	QRZ0077-220X	22 1/4W FUSIBLE RES.	BS
R801	QRZ0077-220X	22 1/4W FUSIBLE RES.	EF
R801	QRZ0077-220X	22 1/4W FUSIBLE RES.	EN
R801	QRZ0077-220X	22 1/4W FUSIBLE RES.	G
R803	QRD14CJ-821SX	820 1/4W CARBON RES.	
R805	QRD14CJ-100SX	10 1/4W UNF. CARBON R	BS
R805	QRD14CJ-100SX	10 1/4W UNF. CARBON R	EF
R805	QRD14CJ-100SX	10 1/4W UNF. CARBON R	EN
R805	QRD14CJ-100SX	10 1/4W UNF. CARBON R	G
R806	QRD145J-153S	15K 1/4W UNF. CARBON R	U
R806	QRD145J-153S	15K 1/4W UNF. CARBON R	US
R806	QRD145J-153S	15K 1/4W UNF. CARBON R	UT
R807	QRG012J-332A	3.3K 1W OXIDE METAL	U
R807	QRG012J-332A	3.3K 1W OXIDE METAL	US
R807	QRG012J-332A	3.3K 1W OXIDE METAL	UT
R808	QRD14CJ-2R7S	2.7 1/4W UNF. CARBON R	BS
R808	QRD14CJ-2R7S	2.7 1/4W UNF. CARBON R	EF
R808	QRD14CJ-2R7S	2.7 1/4W UNF. CARBON R	EN
R808	QRD14CJ-2R7S	2.7 1/4W UNF. CARBON R	G
R808	QRD14CJ-3R3S	3.3 1/4W UNF. CARBON R	U
R808	QRD14CJ-3R3S	3.3 1/4W UNF. CARBON R	US
R808	QRD14CJ-3R3S	3.3 1/4W UNF. CARBON R	UT
R811	QRZ0077-100	10 1/4W FUSIBLE RES.	
R812	QRD14CJ-331SX	330 1/4W UNF. CARBON R	
R821	QRD14CJ-100SX	10 1/4W UNF. CARBON R	
R822	QRD14CJ-182SX	1.8K 1/4W UNF. CARBON R	
R840	QRD14CJ-220S	22 1/4W UNF. CARBON R	
R841	QRZ0077-100	10 1/4W FUSIBLE RES.	
R842	QRD143J-472S	4.7K 1/4W CARBON RES.	
R845	QRD14CJ-102SX	1K 1/4W UNF. CARBON R	
R853	QRG022J-100A	10 2W OXIDE METAL	
R854	QRD12CJ-562S	5.6K 1/2W UNF. CARBON R	
R860	QRD14CJ-220S	22 1/4W UNF. CARBON R	BS
R860	QRD14CJ-220S	22 1/4W UNF. CARBON R	EF
R860	QRD14CJ-220S	22 1/4W UNF. CARBON R	EN
R860	QRD14CJ-220S	22 1/4W UNF. CARBON R	G
R861	QRD161J-104	100K 1/6W CARBON RES.	
R862	QRD161J-104	100K 1/6W CARBON RES.	
R885	QRD161J-104	100K 1/6W CARBON RES.	
R891	QRZ0077-100	10 1/4W FUSIBLE RES.	
R892	QRD14CJ-272S	2.7K 1/4W UNF. CARBON R	
R901	QRD161J-102	1K 1/6W CARBON RES.	
R902	QRD161J-102	1K 1/6W CARBON RES.	
R903	QRD167J-153	15K 1/6W CARBON RES.	
R904	QRD167J-153	15K 1/6W CARBON RES.	
R905	QRD161J-123	12K 1/6W CARBON RES.	
R906	QRD161J-123	12K 1/6W CARBON RES.	
R909	QRD161J-104	100K 1/6W CARBON RES.	
R910	QRD161J-823	82K 1/6W CARBON RES.	
R911	QRD167J-332	3.3K 1/6W CARBON RES.	
R912	QRD161J-473	47K 1/6W CARBON RES.	
R913	QRD161J-103	10K 1/6W CARBON RES.	
R915	QRD161J-823	82K 1/6W CARBON RES.	
R916	QRD161J-563	56K 1/6W CARBON RES.	
R917	QRD161J-683	68K 1/6W CARBON RES.	
R918	QRD161J-392	3.9K 1/6W CARBON RES.	
R919	QRD161J-122	1.2K 1/6W CARBON RES.	
R920	QRD161J-224	220K 1/6W CARBON RES.	
R921	QRD14CJ-470SX	47 1/4W UNF. CARBON R	
R925	QRD167J-562	5.6K 1/6W CARBON RES.	
R926	QRD167J-822	8.2K 1/6W CARBON RES.	
R927	QRD161J-103	10K 1/6W CARBON RES.	
R929	QRD161J-333	33K 1/6W CARBON RES.	

Item	Parts Number	Description	Area
R930	QRD161J-333	33K 1/6W CARBON RES.	
R931	QRZ0077-4R7	4.7 1/4W FUSE RESISTO	BS
R931	QRZ0077-4R7	4.7 1/4W FUSE RESISTO	EF
R931	QRZ0077-4R7	4.7 1/4W FUSE RESISTO	EN
R931	QRZ0077-4R7	4.7 1/4W FUSE RESISTO	G
R932	QRZ0077-4R7	4.7 1/4W FUSE RESISTO	BS
R932	QRZ0077-4R7	4.7 1/4W FUSE RESISTO	EF
R932	QRZ0077-4R7	4.7 1/4W FUSE RESISTO	EN
R932	QRZ0077-4R7	4.7 1/4W FUSE RESISTO	G
R933	QRZ0077-4R7	4.7 1/4W FUSE RESISTO	BS
R933	QRZ0077-4R7	4.7 1/4W FUSE RESISTO	EF
R933	QRZ0077-4R7	4.7 1/4W FUSE RESISTO	EN
R933	QRZ0077-4R7	4.7 1/4W FUSE RESISTO	G
R934	QRZ0077-4R7	4.7 1/4W FUSE RESISTO	BS
R934	QRZ0077-4R7	4.7 1/4W FUSE RESISTO	EF
R934	QRZ0077-4R7	4.7 1/4W FUSE RESISTO	EN
R934	QRZ0077-4R7	4.7 1/4W FUSE RESISTO	G
R951	QRD14CJ-220S	22 1/4W UNF. CARBON R	
R955	QRD161J-102	1K 1/6W CARBON RES.	
R956	QRD161J-333	33K 1/6W CARBON RES.	
R957	QRD161J-104	100K 1/6W CARBON RES.	
R958	QRD161J-104	100K 1/6W CARBON RES.	
R961	QRG022J-471A	470 2W OXIDE METAL	
R962	QRG022J-471A	470 2W OXIDE METAL	
R971	QRZ0077-4R7	4.7 1/4W FUSE RESISTO	BS
R971	QRZ0077-4R7	4.7 1/4W FUSE RESISTO	EF
R971	QRZ0077-4R7	4.7 1/4W FUSE RESISTO	EN
R971	QRZ0077-4R7	4.7 1/4W FUSE RESISTO	G
R981	QRZ0077-4R7	4.7 1/4W FUSE RESISTO	BS
R981	QRZ0077-4R7	4.7 1/4W FUSE RESISTO	EF
R981	QRZ0077-4R7	4.7 1/4W FUSE RESISTO	EN
R981	QRZ0077-4R7	4.7 1/4W FUSE RESISTO	G
R982	QRZ0077-4R7	4.7 1/4W FUSE RESISTO	BS
R982	QRZ0077-4R7	4.7 1/4W FUSE RESISTO	EF
R982	QRZ0077-4R7	4.7 1/4W FUSE RESISTO	EN
R982	QRZ0077-4R7	4.7 1/4W FUSE RESISTO	G
VR741	QVPA601-102A	1K VARIABLE RES.	
VR742	QVPA601-102A	1K VARIABLE RES.	
OTHERS			
	EMW10678-105	PRINTED BOARD	
	QWE880-15RR	VINYL WIRE	U
	QWE880-15RR	VINYL WIRE	US
	QWE880-15RR	VINYL WIRE	UT
	QWE880-38RR	VINYL WIRE	EF
	QWE880-38RR	VINYL WIRE	EN
	QWE880-38RR	VINYL WIRE	G
	QWE880-38RR	VINYL WIRE	BS
	QWE881-16RR	VINYL WIRE	EF
	QWE881-16RR	VINYL WIRE	EN
	QWE881-16RR	VINYL WIRE	G
	QWE881-16RR	VINYL WIRE	U
	QWE881-16RR	VINYL WIRE	US
	QWE881-16RR	VINYL WIRE	UT
	QWE881-16RRBS	VINYL WIRE	BS
	QWE882-15RR	VINYL WIRE	U
	QWE882-15RR	VINYL WIRE	US
	QWE882-15RR	VINYL WIRE	UT
	QWE882-38RR	VINYL WIRE	EF
	QWE882-38RR	VINYL WIRE	EN
	QWE882-38RR	VINYL WIRE	G
	QWE882-38RR	VINYL WIRE	BS
	QWE883-15RR	VINYL WIRE	U
	QWE883-15RR	VINYL WIRE	US
	QWE883-15RR	VINYL WIRE	UT
	QWE883-16RR	VINYL WIRE	BS
	QWE883-16RR	VINYL WIRE	EF
	QWE883-16RR	VINYL WIRE	EN
	QWE883-16RR	VINYL WIRE	G
	QWE884-15RR	VINYL WIRE	U

RX-430VBK

Electrical Parts List (ENH-301)

Item	Parts Number	Description	Area
	QWE884-15RR	VINYL WIRE	US
	QWE884-15RR	VINYL WIRE	UT
	QWE884-20RR	VINYL WIRE	BS
	QWE884-20RR	VINYL WIRE	EF
	QWE884-20RR	VINYL WIRE	EN
	QWE884-20RR	VINYL WIRE	G
	QWE886-16RR	PIN WIRE	EF
	QWE886-16RR	PIN WIRE	EN
	QWE886-16RR	PIN WIRE	G
	QWE886-16RR	PIN WIRE	U
	QWE886-16RR	PIN WIRE	US
	QWE886-16RR	PIN WIRE	UT
	QWE886-16RRBS	VINYL WIRE	BS
	QWE888-15RR	VINYL WIRE	U
	QWE888-15RR	VINYL WIRE	US
	QWE888-15RR	VINYL WIRE	UT
	QWE889-15RR	VINYL WIRE	U
	QWE889-15RR	VINYL WIRE	US
	QWE889-15RR	VINYL WIRE	UT
	SBSG3008CC	TAPPING SCREW	
	SBSG3008CC	TAPPING SCREW	U
	SBSG3008CC	TAPPING SCREW	US
	SBSG3008CC	TAPPING SCREW	UT
J955	EMN00TV-119AJ4	PIN JACK	
J961	QMS6022-V01	MICROPHONE JACK	
L501	EQL0011-R45J1	INDUCTOR	
L581	EQL0011-R45J1	INDUCTOR	
L771	EQL0011-R45J1	INDUCTOR	
L772	EQL0011-R45J1	INDUCTOR	
L931	EQL0011-R45J1	INDUCTOR	BS
L931	EQL0011-R45J1	INDUCTOR	EF
L931	EQL0011-R45J1	INDUCTOR	EN
L931	EQL0011-R45J1	INDUCTOR	G
L932	EQL0011-R45J1	INDUCTOR	BS
L932	EQL0011-R45J1	INDUCTOR	EF
L932	EQL0011-R45J1	INDUCTOR	EN
L932	EQL0011-R45J1	INDUCTOR	G
L971	EQL0011-R45J1	INDUCTOR	BS
L971	EQL0011-R45J1	INDUCTOR	EF
L971	EQL0011-R45J1	INDUCTOR	EN
L971	EQL0011-R45J1	INDUCTOR	G
L981	EQL0011-R45J1	INDUCTOR	BS
L981	EQL0011-R45J1	INDUCTOR	EF
L981	EQL0011-R45J1	INDUCTOR	EN
L981	EQL0011-R45J1	INDUCTOR	G
S901	QST4241-E05J2	PUSH SWITCH	
T801	ETP1000-41EA	POWER TRANSFORMER	EF
T801	ETP1000-41EA	POWER TRANSFORMER	EN
T801	ETP1000-41EA	POWER TRANSFORMER	G
T801	ETP1000-41EABS	POWER TRANSFORMER	BS
T801	ETP1000-41ZB	POWER TRANSFORMER	U
T801	ETP1000-41ZB	POWER TRANSFORMER	US
T801	ETP1000-41ZB	POWER TRANSFORMER	UT
CN711	EMV7163-010	CONNECT TERMINAL	
CN713	EMV7163-005	CONNECTOR	
CN802	EMV7145-004Z	SOCKET ASSY	
CN803	EMV7145-004Z	SOCKET ASSY	
CN851	EMV7163-007	CONNECT TERMINAL	
CN955	EMV7163-004	CONNECT TERMINAL	
CN965	EMV5163-004R	CONNECT TERMINAL	
CP853	ICP-N15	I. C. PROTECTOR	
EP110	EMZ4002-002Z	EARTH PLATE	BS
EP110	EMZ4002-002Z	EARTH PLATE	EF
EP110	EMZ4002-002Z	EARTH PLATE	EN
EP110	EMZ4002-002Z	EARTH PLATE	G
EP500	EMZ4002-002Z	EARTH PLATE	
EP800	E409182-001SM	EARTH TERMINAL	
EP901	E409182-001SM	EARTH TERMINAL	BS
EP901	E409182-001SM	EARTH TERMINAL	EF

Item	Parts Number	Description	Area
EP901	E409182-001SM	EARTH TERMINAL	EN
EP901	E409182-001SM	EARTH TERMINAL	G
EP961	EMZ4002-002Z	EARTH PLATE	
FC801	EMG7331-003Z	FUSE CLIP	
FC802	EMG7331-003Z	FUSE CLIP	
FC803	EMG7331-003Z	FUSE CLIP	
FC804	EMG7331-003Z	FUSE CLIP	
FC805	EMG7331-003Z	FUSE CLIP	U
FC805	EMG7331-003Z	FUSE CLIP	US
FC805	EMG7331-003Z	FUSE CLIP	UT
FC806	EMG7331-003Z	FUSE CLIP	U
FC806	EMG7331-003Z	FUSE CLIP	US
FC806	EMG7331-003Z	FUSE CLIP	UT
FC810	EMG7331-003Z	FUSE CLIP	
FC811	EMG7331-003Z	FUSE CLIP	
FC812	EMG7331-003Z	FUSE CLIP	
FC813	EMG7331-003Z	FUSE CLIP	
FW801	EWR3AD-13SS	FLAT WIRE	
FW901	EWR36D-40SS	CORD	
FW902	EWR35B-16SST	FLAT WIRE	
FW961	EWR33D-10SS	CORD	
HS805	E70945-H40B	HEAT SINK	U
HS805	E70945-H40B	HEAT SINK	US
HS805	E70945-H40B	HEAT SINK	UT
HS841	E70306-001	HEAT SINK	
HS851	E70945-H40B	HEAT SINK	
LA101	E67132-T2R0	FUSE LABEL	BS
LA101	E67132-T2R0	FUSE LABEL	EF
LA101	E67132-T2R0	FUSE LABEL	EN
LA101	E67132-T2R0	FUSE LABEL	G
RY801	ESK1D12-119J3	RELAY	
RY860	QSK0064-001	RELAY	BS
RY860	QSK0064-001	RELAY	EF
RY860	QSK0064-001	RELAY	EN
RY860	QSK0064-001	RELAY	G
RY901	ESK7D24-213R	RELAY	
RY951	ESK7D24-213R	RELAY	
ST901	FMMJ4002-001	SPEAKER TERMINAL	
ST951	EMB90TV-601G	SPEAKER TERMINAL	U
ST951	EMB90TV-601G	SPEAKER TERMINAL	US
ST951	EMB90TV-601G	SPEAKER TERMINAL	UT
ST951	EMB90TV-602G	SPEAKER TERMINAL	BS
ST951	EMB90TV-602G	SPEAKER TERMINAL	EF
ST951	EMB90TV-602G	SPEAKER TERMINAL	EN
ST951	EMB90TV-602G	SPEAKER TERMINAL	G
SW001	QSW0467-001	PUSH SWITCH	EF
SW001	QSW0467-001	PUSH SWITCH	EN
SW001	QSW0467-001	PUSH SWITCH	G
SW001	QSW0467-001BS	PUSH SW.	BS
TA801	EMZ4001-002Z	TAB	
TA802	EMZ4001-002Z	TAB	
TH540	ERT-D2WHL202S	NEGATIVE THERMISTOR	
TH568	ERT-D2WHL202S	NEGATIVE THERMISTOR	
TH749	ERT-D2WHL202S	NEGATIVE THERMISTOR	
TH750	ERT-D2WHL202S	NEGATIVE THERMISTOR	
TP001	QMV5005-004K	PLUG ASSY	
VS801	QSW0524-001	LEVER SWITCH	U
VS801	QSW0524-001	LEVER SWITCH	US
VS801	QSW0524-001	LEVER SWITCH	UT

Electrical Parts List (ENB-246)

Item	Parts Number	Description	Area
	I. C. S		
IC401	MN173222JAAM1	I. C (MICRO-COMPUTER)	
IC402	GP1U271X	INFRARED DETECT UNIT	
IC403	PST600E-T	I. C (MONO-ANALOG)	
	DIODES		
D401	1SR139-200	SI. DIODE	
D402	1SS133	SI. DIODE	
D403	1SS133	SI. DIODE	
D404	1SS133	SI. DIODE	
D410	1SS133	SI. DIODE	
D411	SLA-380JT3F	L. E. D.	BS
D411	SLA-380JT3F	L. E. D.	EF
D411	SLA-380JT3F	L. E. D.	EN
D411	SLA-380JT3F	L. E. D.	G
D411	SLR-342VC3F	L. E. D.	U
D411	SLR-342VC3F	L. E. D.	US
D411	SLR-342VC3F	L. E. D.	UT
D418	SLR-342MCA47	L. E. D.	
D419	SLR-342MCA47	L. E. D.	
D420	SLR-342MCA47	L. E. D.	
D421	SLR-342MCA47	L. E. D.	
D422	SLR-342MCA47	L. E. D.	
D423	SLR-342MCA47	L. E. D.	
D424	SLR-342MCA47	L. E. D.	
D431	1SS133	SI. DIODE	
D432	1SS133	SI. DIODE	
D433	1SS133	SI. DIODE	
D434	1SS133	SI. DIODE	
D437	1SS133	SI. DIODE	U
D437	1SS133	SI. DIODE	US
D437	1SS133	SI. DIODE	UT
D438	1SS133	SI. DIODE	BS
D438	1SS133	SI. DIODE	EF
D438	1SS133	SI. DIODE	EN
D438	1SS133	SI. DIODE	G
D442	1SS133	SI. DIODE	
D443	1SS133	SI. DIODE	
D553	1SS133	SI. DIODE	
D703	1SS133	SI. DIODE	
D704	1SS133	SI. DIODE	
D711	SLR-342MG-TA	L. E. D.	
D712	SLR-342MG-TA	L. E. D.	
	TRANSISTORS		
Q401	DTC114YS	DIGITAL TRANSISTOR	
Q402	DTC114TN	DIGITAL TRANSISTOR	
Q403	DTC144WS	DIGITAL TRANSISTOR	
Q410	DTC114YS	DIGITAL TRANSISTOR	
Q411	DTC114YS	DIGITAL TRANSISTOR	
Q412	DTC114YS	DIGITAL TRANSISTOR	
Q413	DTC114YS	DIGITAL TRANSISTOR	
Q414	DTC114YS	DIGITAL TRANSISTOR	
Q551	2SC2240 (BL)	SI. TRANSISTOR	
Q552	2SC2240 (BL)	SI. TRANSISTOR	
Q561	2SA1038 (R, S)	SI. TRANSISTOR	
Q701	2SC2240 (BL)	SI. TRANSISTOR	
Q702	2SC2240 (BL)	SI. TRANSISTOR	
Q703	2SC2240 (BL)	SI. TRANSISTOR	
Q704	2SC2240 (BL)	SI. TRANSISTOR	
Q707	2SA1038 (R, S)	SI. TRANSISTOR	
Q708	2SA1038 (R, S)	SI. TRANSISTOR	
Q711	2SC2389 (S, E)	SI. TRANSISTOR	
Q712	2SC2389 (S, E)	SI. TRANSISTOR	
	CAPACITORS		
C401	QETB1AM-227	220MF 10V E. CAP.	
C402	QCZ0202-155	1.5MF 25V CER. RES.	
C403	QEADOHZ-10AZM	AL E. CAP.	
C404	QETB1HM-225	2.2MF 50V AL E. CAP.	
C405	QCHB1EZ-223	0.022MF 25V CER. CAP.	
C406	QCBB1HK-331Y	330PF 50V CER. CAP.	
C411	QETB1HM-475E	4.7MF 50V E. CAP.	
C412	QETB1HM-475E	4.7MF 50V E. CAP.	
C413	QETC1AM-107ZN	100MF 10V E. CAP.	
C414	QETB1HM-475E	4.7MF 50V E. CAP.	
C551	QETB1HM-106	10MF 50V E. CAP.	
C552	QCS21HJ-271A	270PF 50V CER. CAP.	
C553	QCS21HJ-101A	100PF 50V CER. CAP.	
C556	QCY31HK-152Z	1500PF 50V CER. CAP.	
C557	QCS21HJ-100	10PF 50V CER. CAP.	
C558	QETB1CM-476	47MF 50V AL E. CAP.	
C561	QETB1HM-225	2.2MF 50V AL E. CAP.	
C562	QCS22HJ-330	33PF 500V CER. CAP.	
C563	QFLB1HJ-103	0.01MF 50V MYLAR CAP.	
C564	QETB1HM-476	47MF 50V E. CAP.	
C701	QETB1HM-106	10MF 50V E. CAP.	
C702	QETB1HM-106	10MF 50V E. CAP.	
C703	QCS21HJ-271A	270PF 50V CER. CAP.	
C704	QCS21HJ-271A	270PF 50V CER. CAP.	
C705	QCS21HJ-101A	100PF 50V CER. CAP.	
C706	QCS21HJ-101A	100PF 50V CER. CAP.	
C711	QETB1CM-107	100MF 16V AL E. CAP.	
C712	QETB1CM-107	100MF 16V AL E. CAP.	
C713	QCS21HJ-100	10PF 50V CER. CAP.	
C714	QCS21HJ-100	10PF 50V CER. CAP.	
C717	QCY31HK-152Z	1500PF 50V CER. CAP.	
C718	QCY31HK-152Z	1500PF 50V CER. CAP.	
C721	QCS22HJ-220	22PF 500V CER. CAP.	
C722	QCS22HJ-220	22PF 500V CER. CAP.	
C723	QETB1HM-225	2.2MF 50V AL E. CAP.	
C724	QETB1HM-225	2.2MF 50V AL E. CAP.	
C727	QFLB1HJ-104	0.1MF 50V MYLAR CAP.	
C728	QFLB1HJ-104	0.1MF 50V MYLAR CAP.	
C739	QETB1JM-107	100MF 63V AL E. CAP.	
	RESISTORS		
R402	QRD161J-331	330 1/6W CARBON RES.	
R403	QRD167J-223	22K 1/6W CARBON RES.	
R404	QRD161J-103	10K 1/6W CARBON RES.	
R405	QRD161J-472	4.7K 1/6W CARBON RES.	
R408	QRD161J-103	10K 1/6W CARBON RES.	
R409	QRD161J-471	470 1/6W CARBON RES.	
R410	QRD161J-103	10K 1/6W CARBON RES.	
R411	QRD161J-221	220 1/6W CARBON RES.	
R412	QRD161J-103	10K 1/6W CARBON RES.	
R413	QRD161J-103	10K 1/6W CARBON RES.	
R414	QRD161J-103	10K 1/6W CARBON RES.	
R417	QRD161J-221	220 1/6W CARBON RES.	
R418	QRD161J-221	220 1/6W CARBON RES.	
R419	QRD161J-472	4.7K 1/6W CARBON RES.	
R420	QRD161J-104	100K 1/6W CARBON RES.	
R421	QRD161J-104	100K 1/6W CARBON RES.	
R422	QRD161J-104	100K 1/6W CARBON RES.	
R433	QRD161J-104	100K 1/6W CARBON RES.	
R434	QRD161J-104	100K 1/6W CARBON RES.	
R435	QRD161J-104	100K 1/6W CARBON RES.	
R436	QRD161J-221	220 1/6W CARBON RES.	
R437	QRD161J-221	220 1/6W CARBON RES.	
R438	QRD161J-221	220 1/6W CARBON RES.	
R439	QRD161J-221	220 1/6W CARBON RES.	
R440	QRD161J-221	220 1/6W CARBON RES.	
R441	QRD161J-221	220 1/6W CARBON RES.	
R442	QRD161J-221	220 1/6W CARBON RES.	
R443	QRD161J-221	220 1/6W CARBON RES.	
R444	QRD161J-221	220 1/6W CARBON RES.	
R445	QRD161J-221	220 1/6W CARBON RES.	
R446	QRD161J-221	220 1/6W CARBON RES.	
R447	QRD161J-221	220 1/6W CARBON RES.	
R448	QRD161J-221	220 1/6W CARBON RES.	
R449	QRD161J-221	220 1/6W CARBON RES.	
R450	QRD161J-221	220 1/6W CARBON RES.	

RX-430VBK

Electrical Parts List (ENB-246)

△	Item	Parts Number	Description	Area
	R451	QRD161J-221	220 1/6W CARBON RES.	
	R452	QRD161J-221	220 1/6W CARBON RES.	
	R453	QRD161J-221	220 1/6W CARBON RES.	
	R551	QRD161J-222	2.2K 1/6W CARBON RES.	
	R552	QRD161J-104	100K 1/6W CARBON RES.	
	R553	QRD161J-222	2.2K 1/6W CARBON RES.	
	R554	QRD161J-222	2.2K 1/6W CARBON RES.	
	R555	QRD161J-123	12K 1/6W CARBON RES.	
	R555	QRD161J-123	12K 1/6W CARBON RES.	U
	R555	QRD161J-123	12K 1/6W CARBON RES.	US
	R555	QRD161J-123	12K 1/6W CARBON RES.	UT
	R555	QRD161J-133Y	13K 1/6W CARBON RES.	BS
	R555	QRD161J-133Y	13K 1/6W CARBON RES.	EF
	R555	QRD161J-133Y	13K 1/6W CARBON RES.	EN
	R555	QRD161J-133Y	13K 1/6W CARBON RES.	G
	R556	QRD161J-101	100 1/6W CARBON RES.	
	R558	QRD161J-911	910 1/6W CARBON RES.	
	R560	QRD161J-104	100K 1/6W CARBON RES.	
△	R561	QRD14CJ-271S	270 1/4W UNF. CARBON R	BS
△	R561	QRD14CJ-271S	270 1/4W UNF. CARBON R	EF
△	R561	QRD14CJ-271S	270 1/4W UNF. CARBON R	EN
△	R561	QRD14CJ-271S	270 1/4W UNF. CARBON R	G
	R561	QRD14CJ-301SX	300 1/4W UNF. CARBON R	U
	R561	QRD14CJ-301SX	300 1/4W UNF. CARBON R	US
	R561	QRD14CJ-301SX	300 1/4W UNF. CARBON R	UT
	R563	QRD167J-272	2.7K 1/6W CARBON RES.	
	R564	QRD167J-272	2.7K 1/6W CARBON RES.	
	R565	QRD167J-272	2.7K 1/6W CARBON RES.	
	R566	QRD167J-272	2.7K 1/6W CARBON RES.	
△	R569	QRD14CJ-100SX	10 1/4W UNF. CARBON R	
△	R570	QRD14CJ-100SX	10 1/4W UNF. CARBON R	
	R701	QRD161J-222	2.2K 1/6W CARBON RES.	
	R702	QRD161J-222	2.2K 1/6W CARBON RES.	
	R703	QRD161J-104	100K 1/6W CARBON RES.	
	R704	QRD161J-104	100K 1/6W CARBON RES.	
	R705	QRD161J-202	2K 1/6W CARBON RES.	
	R706	QRD161J-202	2K 1/6W CARBON RES.	
	R707	QRD161J-202	2K 1/6W CARBON RES.	
	R708	QRD161J-202	2K 1/6W CARBON RES.	
	R709	QRD161J-123	12K 1/6W CARBON RES.	
	R710	QRD161J-123	12K 1/6W CARBON RES.	
	R711	QRD161J-911	910 1/6W CARBON RES.	
	R712	QRD161J-911	910 1/6W CARBON RES.	
	R713	QRD161J-104	100K 1/6W CARBON RES.	
	R714	QRD161J-104	100K 1/6W CARBON RES.	
	R717	QRD161J-101	100 1/6W CARBON RES.	
	R718	QRD161J-101	100 1/6W CARBON RES.	
△	R721	QRD14CJ-271S	270 1/4W UNF. CARBON R	
△	R722	QRD14CJ-271S	270 1/4W UNF. CARBON R	
	R727	QRD161J-473	47K 1/6W CARBON RES.	
	R728	QRD161J-473	47K 1/6W CARBON RES.	
	R729	QRD14CJ-331SX	330 1/4W UNF. CARBON R	
	R730	QRD14CJ-331SX	330 1/4W UNF. CARBON R	
△	R739	QRD14CJ-100SX	10 1/4W UNF. CARBON R	
△	R740	QRD14CJ-100SX	10 1/4W UNF. CARBON R	
	RA401	QRB079J-103	10K 1/10WRES.	
	RA402	QRB109J-103	10K 1/10WNETWORK RES.	
		OTHERS		
		EMW10682-002	PRINTED BOARD	
	S401	ESP0001-023M	TACT SWITCH	
	S402	ESP0001-023M	TACT SWITCH	
	S403	ESP0001-023M	TACT SWITCH	
	S404	ESP0001-023M	TACT SWITCH	
	S405	ESP0001-023M	TACT SWITCH	
	S406	ESP0001-023M	TACT SWITCH	
	S407	ESP0001-023M	TACT SWITCH	
	S408	ESP0001-023M	TACT SWITCH	
	S409	ESP0001-023M	TACT SWITCH	
	S410	ESP0001-023M	TACT SWITCH	

△	Item	Parts Number	Description	Area
	S411	ESP0001-023M	TACT SWITCH	
	S412	ESP0001-023M	TACT SWITCH	
	S413	ESP0001-023M	TACT SWITCH	
	X401	ECXP6R0-001ZA	CRYSTAL	
	CN314	VMC0163-021	CONNECT TERMINAL	
	CN421	EWS26D-A408J	SOCKET WIRE ASSY	
	CN431	EMV5109-013A	CONNECT TERMINAL	
	CN701	EMV5163-010R	CONNECT TERMINAL	
	CN703	EMV5163-005R	CONNECTOR	
	CN712	EMV5109-006B	CONNECT TERMINAL	
	D1401	QLF0002-001	FLUORESCENT DISPLAY TUBE	
	FH001	E309106-001SM	FL HOLDER	
	FS001	E3400-444	FELT SPACER	
	FS002	E3400-444	FELT SPACER	
	FWB01	EW38D-16LS	FLAT WIRE	
	JS401	QSJ4003-E01	PUSH SWITCH	

Electrical Parts List (ENC-135)

△	Item	Parts Number	Description	Area
		I. C. S		
	IC201	TC9212P	I. C (DIGI-MOS)	
	IC202	TC9212P	I. C (DIGI-MOS)	
	IC203	BA15218N	I. C (MONO-ANALOG)	
	IC204	BA15218	I. C (MONO-ANALOG)	
	IC251	M5243P12	I. C (MONO-ANALOG)	
	IC252	TC9163AM	I. C (DIGI-MOS)	
	IC301	NJM4580DD	I. C (MONO-ANALOG)	
	IC321	TC9164AM	I. C (DIGI-MOS)	
	IC341	BA15218	I. C (MONO-ANALOG)	
	IC361	BA15218	I. C (MONO-ANALOG)	
	IC601	LA2786	I. C (MONO-ANALOG)	
	IC641	LV1016	I. C (M)	
	IC671	NJM2246D	I. C (MONO-ANALOG)	
		DIODES		
	D251	MTZ6.8JC	ZENER DIODE	
	D252	MTZ6.8JC	ZENER DIODE	
		TRANSISTORS		
	Q221	2SD2144S (VW)	SI. TRANSISTOR	
	Q222	2SD2144S (VW)	SI. TRANSISTOR	
	Q223	2SD2144S (VW)	SI. TRANSISTOR	
	Q224	2SD2144S (VW)	SI. TRANSISTOR	
	Q225	DTA144ES	DIGITAL TRANSISTOR	
	Q671	2SA933S (RS)	SI. TRANSISTOR	
	Q672	2SC458 (C. D)	SI. TRANSISTOR	
	Q673	DTC143ES	DIGITAL TRANSISTOR	
	Q674	2SA933S (RS)	SI. TRANSISTOR	
	Q675	2SC458 (C. D)	SI. TRANSISTOR	
		CAPACITORS		
	C201	QETB1HM-475E	4.7MF 50V E. CAP.	
	C202	QETB1HM-475E	4.7MF 50V E. CAP.	
	C203	QETB1HM-225	2.2MF 50V AL E. CAP.	
	C204	QETB1HM-225	2.2MF 50V AL E. CAP.	
	C205	QCBB1HK-561Y	560PF 50V CER. CAP.	
	C206	QCBB1HK-561Y	560PF 50V CER. CAP.	
	C207	QFN81HK-154	0.15MF 50V METAL. MYLAR	
	C208	QFN81HK-154	0.15MF 50V METAL. MYLAR	
	C209	QETB1HM-475E	4.7MF 50V E. CAP.	
	C210	QETB1HM-475E	4.7MF 50V E. CAP.	
	C211	QETB1HM-475E	4.7MF 50V E. CAP.	
	C212	QETB1HM-475E	4.7MF 50V E. CAP.	
	C213	QETB1HM-225	2.2MF 50V AL E. CAP.	
	C214	QETB1HM-225	2.2MF 50V AL E. CAP.	
	C215	QETB1HM-475E	4.7MF 50V E. CAP.	
	C216	QETB1HM-475E	4.7MF 50V E. CAP.	
	C225	QETB1HM-475E	4.7MF 50V E. CAP.	
	C251	QETB1HM-475E	4.7MF 50V E. CAP.	
	C252	QETB1HM-475E	4.7MF 50V E. CAP.	
	C253	QCBB1HK-101Y	100PF 50V CER. CAP.	
	C254	QCBB1HK-101Y	100PF 50V CER. CAP.	
	C255	QETB1EM-476	47MF 25V AL E. CAP.	
	C256	QETB1EM-476	47MF 25V AL E. CAP.	
	C257	QETB1EM-476	47MF 25V AL E. CAP.	
	C258	QETB1EM-476	47MF 25V AL E. CAP.	
	C259	QCSB1HJ-100Y	10PF 50V CER. CAP.	
	C260	QCSB1HJ-100Y	10PF 50V CER. CAP.	
	C261	QCSB1HJ-100Y	10PF 50V CER. CAP.	
	C262	QCSB1HJ-100Y	10PF 50V CER. CAP.	
	C265	QETB1EM-226N	22MF 25V E. CAP.	
	C266	QETB1EM-226N	22MF 25V E. CAP.	
	C269	QCHB1EZ-223	0.022MF 25V CER. CAP.	
	C270	QCHB1EZ-223	0.022MF 25V CER. CAP.	
	C271	QFLB1HJ-272	2700PF 50V MYLAR CAP.	
	C272	QFLB1HJ-272	2700PF 50V MYLAR CAP.	
	C273	QCBB1HK-471Y	470PF 50V CER. CAP.	
	C274	QCBB1HK-471Y	470PF 50V CER. CAP.	
	C275	QFV81HJ-473	0.047MF 50V THIN FILM CA	
	C276	QFV81HJ-473	0.047MF 50V THIN FILM CA	
	C277	QFLB1HJ-822	8200PF 50V MYLAR CAP.	
	C278	QFLB1HJ-822	8200PF 50V MYLAR CAP.	
	C279	QER51HM-684	0.68MF 50V AL E. CAP.	
	C280	QER51HM-684	0.68MF 50V AL E. CAP.	
	C281	QFV81HJ-104	0.1MF 50V THIN FILM CA	
	C282	QFV81HJ-104	0.1MF 50V THIN FILM CA	
	C283	QCSB1HJ-470	47PF 50V CER. CAP.	
	C284	QCSB1HJ-470	47PF 50V CER. CAP.	
	C287	QCBB1HK-561Y	560PF 50V CER. CAP.	
	C291	QCHB1EZ-223	0.022MF 25V CER. CAP.	
	C292	QCBB1HK-331Y	330PF 50V CER. CAP.	
	C295	QCBB1HK-221Y	220PF 50V CER. CAP.	
	C296	QCBB1HK-221Y	220PF 50V CER. CAP.	
	C297	QCBB1HK-221Y	220PF 50V CER. CAP.	
	C298	QCBB1HK-221Y	220PF 50V CER. CAP.	
	C301	QETB1HM-475E	4.7MF 50V E. CAP.	
	C302	QETB1HM-475E	4.7MF 50V E. CAP.	
	C303	QCBB1HK-101Y	100PF 50V CER. CAP.	
	C304	QCBB1HK-101Y	100PF 50V CER. CAP.	
	C305	QFN81HK-182	1800PF 50V METAL. MYLAR	
	C306	QFN81HK-182	1800PF 50V METAL. MYLAR	
	C307	QFN31HK-682Z	6800PF 50V MYLAR CAP.	
	C308	QFN31HK-682Z	6800PF 50V MYLAR CAP.	
	C309	QCBB1HK-101Y	100PF 50V CER. CAP.	
	C310	QCBB1HK-101Y	100PF 50V CER. CAP.	
	C311	QETB1HM-475E	4.7MF 50V E. CAP.	
	C312	QETB1HM-475E	4.7MF 50V E. CAP.	
	C313	QETC1AM-107ZN	100MF 10V E. CAP.	
	C314	QETC1AM-107ZN	100MF 10V E. CAP.	
	C315	QETB1CM-476	47MF 16V AL E. CAP.	
	C316	QETB1CM-476	47MF 16V AL E. CAP.	
	C321	QCHB1EZ-223	0.022MF 25V CER. CAP.	
	C323	QCHB1EZ-223	0.022MF 25V CER. CAP.	
	C324	QCHB1EZ-223	0.022MF 25V CER. CAP.	
	C325	QCBB1HK-221Y	220PF 50V CER. CAP.	
	C341	QETB1HM-106	10MF 50V E. CAP.	
	C342	QETB1HM-106	10MF 50V E. CAP.	
	C361	QETB1HM-475E	4.7MF 50V E. CAP.	
	C362	QETB1HM-475E	4.7MF 50V E. CAP.	
	C371	QCBB1HK-221Y	220PF 50V CER. CAP.	
	C381	QCBB1HK-331Y	330PF 50V CER. CAP.	
	C382	QCBB1HK-331Y	330PF 50V CER. CAP.	
	C385	QCBB1HK-331Y	330PF 50V CER. CAP.	
	C386	QCBB1HK-331Y	330PF 50V CER. CAP.	
	C387	QCBB1HK-331Y	330PF 50V CER. CAP.	
	C388	QCBB1HK-331Y	330PF 50V CER. CAP.	
	C389	QCBB1HK-331Y	330PF 50V CER. CAP.	
	C390	QCBB1HK-331Y	330PF 50V CER. CAP.	
	C393	QCBB1HK-331Y	330PF 50V CER. CAP.	
	C394	QCBB1HK-331Y	330PF 50V CER. CAP.	
	C395	QCBB1HK-331Y	330PF 50V CER. CAP.	
	C396	QCBB1HK-331Y	330PF 50V CER. CAP.	
	C397	QCBB1HK-331Y	330PF 50V CER. CAP.	
	C398	QCBB1HK-331Y	330PF 50V CER. CAP.	
	C601	QETB1HM-105	1MF 50V AL E. CAP.	
	C602	QETB1HM-105	1MF 50V AL E. CAP.	
	C603	QFLB1HJ-104	0.1MF 50V MYLAR CAP.	
	C604	QFLB1HJ-104	0.1MF 50V MYLAR CAP.	
	C605	QFLB1HJ-104	0.1MF 50V MYLAR CAP.	
	C606	QFLB1HJ-104	0.1MF 50V MYLAR CAP.	
	C607	QETB1HM-474	0.47MF 50V E. CAP.	
	C608	QETB1HM-474	0.47MF 50V E. CAP.	
	C609	QETB1HM-475E	4.7MF 50V E. CAP.	
	C610	QETB1HM-475E	4.7MF 50V E. CAP.	
	C611	QETB1HM-474	0.47MF 50V E. CAP.	
	C612	QETB1HM-474	0.47MF 50V E. CAP.	
	C613	QETB1HM-475E	4.7MF 50V E. CAP.	
	C614	QETB1HM-475E	4.7MF 50V E. CAP.	
	C615	QFV81HJ-154	0.15MF 50V THIN FILM CA	
	C616	QFV81HJ-154	0.15MF 50V THIN FILM CA	

RX-430VBK

Electrical Parts List (ENC-135)

△	Item	Parts Number	Description	Area
	C617	QETB1HM-335	3.3MF 50V AL E. CAP.	
	C618	QETB1HM-335	3.3MF 50V AL E. CAP.	
	C619	QFV81HJ-154	0.15MF 50V THIN FILM CA	
	C620	QFV81HJ-154	0.15MF 50V THIN FILM CA	
	C621	QFN31HJ-223ZN	0.022MF 50V MYLAR CAP.	
	C622	QFN31HJ-473ZN	0.047MF 50V MYLAR CAP.	
	C623	QETC1EM-227ZN	220MF 25V AL E. CAP.	
	C624	QETB1EM-106	10MF 25V AL E. CAP.	
	C625	QETB1EM-106	10MF 25V AL E. CAP.	
	C626	QETB1EM-106	10MF 25V AL E. CAP.	
	C627	QETB1EM-106	10MF 25V AL E. CAP.	
	C628	QETC1EM-227ZN	220MF 25V AL E. CAP.	
	C631	QETB1EM-476	47MF 25V AL E. CAP.	
	C632	QFV71HJ-474ZM	0.47MF 50V THIN FILM CA	
	C633	QCB81HK-681Y	680PF 50V CER. CAP.	
	C634	QETC1EM-227ZN	220MF 25V AL E. CAP.	
	C641	QETB1HM-474	0.47MF 50V E. CAP.	
	C642	QETC1EM-227ZN	220MF 25V AL E. CAP.	
	C643	QETB1HM-225	2.2MF 50V AL E. CAP.	
	C645	QFN81HJ-823	0.082MF 50V METAL. MYLAR	
	C646	QFN31HJ-332Z	3300PF 50V MYLAR CAP.	
	C647	QFN81HJ-823	0.082MF 50V METAL. MYLAR	
	C648	QETB1HM-474	0.47MF 50V E. CAP.	
	C650	QETC1EM-227ZN	220MF 25V AL E. CAP.	
	C651	QCSB1HJ-330Y	33PF 50V CER. CAP.	
	C652	QCSB1HJ-330Y	33PF 50V CER. CAP.	
	C653	QCHB1EZ-223	0.022MF 25V CER. CAP.	
	C671	QETB1CM-107	100MF 16V AL E. CAP.	
	C672	QCHB1EZ-223	0.022MF 25V CER. CAP.	
	C683	QETB0JM-108N	1000MF 6.3V E. CAP.	
	C684	QETB1HM-475E	4.7MF 50V E. CAP.	
	C685	QETB1HM-475E	4.7MF 50V E. CAP.	
	C686	QETB0JM-108N	1000MF 6.3V E. CAP.	
		RESISTORS		
	R201	QRD161J-104	100K 1/6W CARBON RES.	
	R202	QRD161J-104	100K 1/6W CARBON RES.	
	R203	QRD161J-104	100K 1/6W CARBON RES.	
	R204	QRD161J-104	100K 1/6W CARBON RES.	
	R205	QRD161J-393	39K 1/6W CARBON RES.	
	R206	QRD161J-393	39K 1/6W CARBON RES.	
	R207	QRD161J-224	220K 1/6W CARBON RES.	
	R208	QRD161J-224	220K 1/6W CARBON RES.	
	R209	QRD161J-102	1K 1/6W CARBON RES.	
	R210	QRD161J-102	1K 1/6W CARBON RES.	
	R211	QRD161J-104	100K 1/6W CARBON RES.	
	R212	QRD161J-104	100K 1/6W CARBON RES.	
	R213	QRD161J-104	100K 1/6W CARBON RES.	
	R214	QRD161J-104	100K 1/6W CARBON RES.	
	R215	QRD161J-102	1K 1/6W CARBON RES.	
	R216	QRD161J-102	1K 1/6W CARBON RES.	
	R217	QRD161J-102	1K 1/6W CARBON RES.	
	R218	QRD161J-102	1K 1/6W CARBON RES.	
	R221	QRD161J-103	10K 1/6W CARBON RES.	
	R222	QRD161J-103	10K 1/6W CARBON RES.	
	R223	QRD161J-103	10K 1/6W CARBON RES.	
	R224	QRD161J-103	10K 1/6W CARBON RES.	
	R225	QRD161J-102	1K 1/6W CARBON RES.	
	R241	QRD161J-271	270 1/6W CARBON RES.	
	R242	QRD161J-271	270 1/6W CARBON RES.	
	R243	QRD161J-271	270 1/6W CARBON RES.	
	R244	QRD161J-271	270 1/6W CARBON RES.	
△	R245	QRZ0077-680	68 1/4W FUSIBLE RES.	
△	R246	QRZ0077-680	68 1/4W FUSIBLE RES.	
	R247	QRD161J-271	270 1/6W CARBON RES.	
	R248	QRD161J-271	270 1/6W CARBON RES.	
△	R249	QRZ0077-680	68 1/4W FUSIBLE RES.	
△	R250	QRZ0077-680	68 1/4W FUSIBLE RES.	
	R253	QRD161J-104	100K 1/6W CARBON RES.	
	R254	QRD161J-104	100K 1/6W CARBON RES.	

△	Item	Parts Number	Description	Area
	R255	QRD161J-393	39K 1/6W CARBON RES.	
	R256	QRD161J-393	39K 1/6W CARBON RES.	
	R257	QRD161J-103	10K 1/6W CARBON RES.	
	R258	QRD161J-103	10K 1/6W CARBON RES.	
	R259	QRD161J-103	10K 1/6W CARBON RES.	
	R260	QRD161J-103	10K 1/6W CARBON RES.	
	R261	QRD161J-303Y	30K 1/6W CARBON RES.	
	R262	QRD161J-303Y	30K 1/6W CARBON RES.	
	R263	QRD161J-123	12K 1/6W CARBON RES.	
	R264	QRD161J-123	12K 1/6W CARBON RES.	
	R265	QRD161J-472	4.7K 1/6W CARBON RES.	
	R266	QRD161J-472	4.7K 1/6W CARBON RES.	
	R267	QRD161J-183	18K 1/6W CARBON RES.	
	R268	QRD161J-183	18K 1/6W CARBON RES.	
	R269	QRD161J-912	9.1K 1/6W CARBON RES.	
	R270	QRD161J-912	9.1K 1/6W CARBON RES.	
	R271	QRD161J-243	24K 1/6W CARBON RES.	
	R272	QRD161J-243	24K 1/6W CARBON RES.	
	R273	QRD161J-103	10K 1/6W CARBON RES.	
	R274	QRD161J-103	10K 1/6W CARBON RES.	
	R275	QRD161J-333	33K 1/6W CARBON RES.	
	R276	QRD161J-333	33K 1/6W CARBON RES.	
	R279	QRD161J-681	680 1/6W CARBON RES.	
	R280	QRD161J-681	680 1/6W CARBON RES.	
	R301	QRD161J-222	2.2K 1/6W CARBON RES.	
	R302	QRD161J-222	2.2K 1/6W CARBON RES.	
	R303	QRD161J-473	47K 1/6W CARBON RES.	
	R304	QRD161J-473	47K 1/6W CARBON RES.	
	R305	QRD161J-621	620 1/6W CARBON RES.	
	R306	QRD161J-621	620 1/6W CARBON RES.	
	R307	QRD161J-393	39K 1/6W CARBON RES.	
	R308	QRD161J-393	39K 1/6W CARBON RES.	
	R309	QRD161J-474	470K 1/6W CARBON RES.	
	R310	QRD161J-474	470K 1/6W CARBON RES.	
	R311	QRD161J-104	100K 1/6W CARBON RES.	
	R312	QRD161J-104	100K 1/6W CARBON RES.	
	R313	QRD161J-331	330 1/6W CARBON RES.	
	R314	QRD161J-331	330 1/6W CARBON RES.	
	R325	QRD161J-102	1K 1/6W CARBON RES.	
	R341	QRD161J-104	100K 1/6W CARBON RES.	
	R342	QRD161J-104	100K 1/6W CARBON RES.	
	R343	QRD161J-104	100K 1/6W CARBON RES.	
	R344	QRD161J-104	100K 1/6W CARBON RES.	
	R361	QRD161J-104	100K 1/6W CARBON RES.	
	R362	QRD161J-104	100K 1/6W CARBON RES.	
	R363	QRD161J-103	10K 1/6W CARBON RES.	
	R364	QRD161J-103	10K 1/6W CARBON RES.	
	R365	QRD161J-472	4.7K 1/6W CARBON RES.	
	R366	QRD161J-472	4.7K 1/6W CARBON RES.	
	R371	QRD161J-471	470 1/6W CARBON RES.	
	R372	QRD161J-221	220 1/6W CARBON RES.	
	R385	QRD161J-471	470 1/6W CARBON RES.	
	R386	QRD161J-471	470 1/6W CARBON RES.	
	R387	QRD161J-471	470 1/6W CARBON RES.	
	R388	QRD161J-471	470 1/6W CARBON RES.	
	R389	QRD161J-471	470 1/6W CARBON RES.	
	R390	QRD161J-471	470 1/6W CARBON RES.	
	R393	QRD161J-471	470 1/6W CARBON RES.	
	R394	QRD161J-471	470 1/6W CARBON RES.	
	R395	QRD161J-471	470 1/6W CARBON RES.	
	R396	QRD161J-471	470 1/6W CARBON RES.	
	R397	QRD161J-471	470 1/6W CARBON RES.	
	R398	QRD161J-471	470 1/6W CARBON RES.	
	R641	QRD161J-102	1K 1/6W CARBON RES.	
	R642	QRD161J-102	1K 1/6W CARBON RES.	
	R643	QRD161J-163	16K 1/6W CARBON RES.	
	R644	QRD161J-393	39K 1/6W CARBON RES.	
	R651	QRD161J-105	1M 1/6W CARBON RES.	
	R671	QRD161J-151	150 1/6W CARBON RES.	

Electrical Parts List (ENC-135)

△	Item	Parts Number	Description	Area
	R672	QRD167J-152	1.5K 1/6W CARBON RES.	
	R673	QRD161J-271	270 1/6W CARBON RES.	
	R674	QRD167J-151	150 1/6W CARBON RES.	
	R675	QRD167J-152	1.5K 1/6W CARBON RES.	
	R676	QRD161J-271	270 1/6W CARBON RES.	
	R685	QRD161J-750	75 1/6W CARBON RES.	
	R686	QRD161J-473	47K 1/6W CARBON RES.	
	R687	QRD161J-331	330 1/6W CARBON RES.	
	R688	QRD161J-750	75 1/6W CARBON RES.	
	R689	QRD161J-331	330 1/6W CARBON RES.	
	R690	QRD161J-750	75 1/6W CARBON RES.	
	R691	QRD161J-750	75 1/6W CARBON RES.	
	R692	QRD161J-473	47K 1/6W CARBON RES.	
		OTHERS		
		EMW10680-003	PRINTED BOARD	
	J301	EMN00TV-423AJ2	PIN JACK	
	J302	EMN00TV-423AJ2	PIN JACK	
	J304	QNN0027-001	PIN JACK	
	J371	QMS3501-020	PIN JACK	
	J601	EMN00YV-217A	PIN JACK	
	J602	EMN00TV-116A	PIN JACK	
	J603	EMN00TV-116A	PIN JACK	
	L671	EQL4004-R22	INDUCTOR	
	X641	ECXP8RO-001Z	CRYSTAL	
	CN101	EMV7163-012	CONNECT TERMINAL	
	CN302	EMV7163-004	CONNECT TERMINAL	
	CN304	VMC0163-021	CONNECT TERMINAL	
	CN306	EMV7163-012	CONNECT TERMINAL	
	CN307	EMV7163-005	CONNECTOR	
	CN308	EMV7163-010	CONNECT TERMINAL	
	CN312	EMV5163-004R	CONNECT TERMINAL	
	CN316	EMV5163-012R	CONNECT TERMINAL	
	CN317	EMV5163-005R	CONNECTOR	
	CN318	EMV5163-010R	CONNECT TERMINAL	
	CN361	EMV5163-007R	CONNECT TERMINAL	
	CN371	EMV7163-007	CONNECT TERMINAL	
	CN601	EMV7163-005	CONNECTOR	
	CN611	EMV5163-005R	CONNECTOR	
	CN702	EWS296-0134	SOCKET WIRE ASSY	
	CN841	EMV5163-007R	CONNECT TERMINAL	

RX-430VBK

Electrical Parts List (ENA-178)

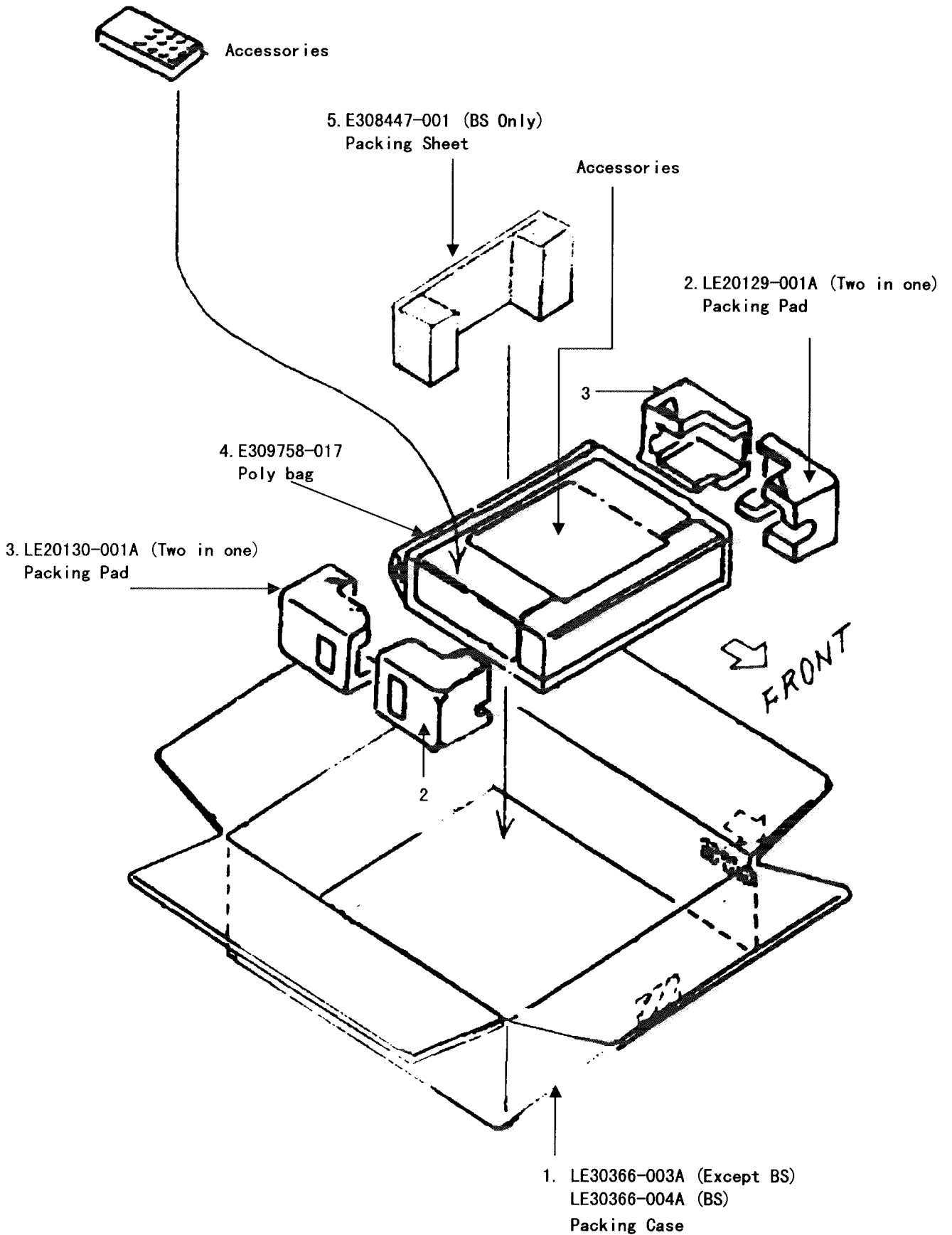
Item	Parts Number	Description	Area
	I. C. S		
IC102	LA1837	I. C (MONO-ANALOG)	
IC121	LC72131	I. C (M)	
	DIODES		
D121	1SS133	SI. DIODE	
D123	1SS133	SI. DIODE	
D129	1SS133	SI. DIODE	
D130	MTZ10JC	ZENER DIODE	
	TRANSISTORS		
Q101	2SC461	SI. TRANSISTOR	
Q102	2SC535	SI. TRANSISTOR	
Q103	2SC461	SI. TRANSISTOR	
Q121	DTA124ES	DIGITAL TRANSISTOR	
Q123	2SC2060 (Q. R)	SI. TRANSISTOR	
	CAPACITORS		
C101	QCVB1CM-103Y	0.01MF 16V CER. CAP.	
C102	QETN1EM-107Z	100MF 25V E. CAP.	
C103	QCHB1EZ-223	0.022MF 25V CER. CAP.	
C104	QCHB1EZ-223	0.022MF 25V CER. CAP.	
C105	QCHB1EZ-223	0.022MF 25V CER. CAP.	
C107	QETN1EM-226Z	22MF 25V E. CAP.	
C109	QETN1EM-226Z	22MF 25V E. CAP.	
C111	QCHB1EZ-223	0.022MF 25V CER. CAP.	
C112	QCT30CH-120Y	12PF 50V CER. CAP.	
C117	QCSB1HK-5R6Y	5.6PF 50V CER. CAP.	
C118	QCSB1HJ-150Y	15PF 50V CER. CAP.	
C121	QCT30CH-180Y	18PF 50V CER. CAP.	
C122	QCT30CH-180Y	18PF 50V CER. CAP.	
C123	QCC21EM-473	0.047MF 25V CER. CAP.	
C126	QCB1HK-101Y	100PF 50V CER. CAP.	
C128	QENB1HM-474	0.47MF 50V NP E. CAP.	
C129	QCSB1HK-102	1000PF 50V CER. CAP.	
C130	QETN1EM-107Z	100MF 25V E. CAP.	
C133	QETN1EM-226Z	22MF 25V E. CAP.	
C134	QCB1HK-331Y	330PF 50V CER. CAP.	U
C134	QCB1HK-331Y	330PF 50V CER. CAP.	US
C134	QCB1HK-331Y	330PF 50V CER. CAP.	UT
C135	QCHB1EZ-223	0.022MF 25V CER. CAP.	
C136	QETN1HM-105Z	1MF 50V AL E. CAP.	
C137	QCB1HK-561Y	560PF 50V CER. CAP.	
C139	QFLB1HJ-223	0.022MF 50V MYLAR CAP.	
C140	QFLB1HJ-223	0.022MF 50V MYLAR CAP.	
C141	QCC21EM-473	0.047MF 25V CER. CAP.	
C143	QCHB1EZ-223	0.022MF 25V CER. CAP.	
C144	QCC21EM-473	0.047MF 25V CER. CAP.	
C146	QETN1HM-105Z	1MF 50V AL E. CAP.	
C147	QETN1HM-105Z	1MF 50V AL E. CAP.	
C148	QETN1HM-474Z	0.47MF 50V AL E. CAP.	
C149	QETN1HM-105Z	1MF 50V AL E. CAP.	
C150	QETN1EM-226Z	22MF 25V E. CAP.	
C156	QCHB1EZ-223	0.022MF 25V CER. CAP.	
C157	QCC21EM-473	0.047MF 25V CER. CAP.	
C158	QETN1EM-226Z	22MF 25V E. CAP.	
C161	QETN1HM-105Z	1MF 50V AL E. CAP.	
C162	QETN1HM-105Z	1MF 50V AL E. CAP.	
C163	QCHB1EZ-223	0.022MF 25V CER. CAP.	
C164	QCC21EM-473	0.047MF 25V CER. CAP.	
C168	QFV81HJ-274	0.27MF 50V THIN FILM CAP.	
C180	QETN1EM-107Z	100MF 25V E. CAP.	
C181	QFLB1HJ-562	5600PF 50V MYLAR CAP.	
C182	QFLB1HJ-562	5600PF 50V MYLAR CAP.	
C183	QCHB1EZ-223	0.022MF 25V CER. CAP.	
C184	QETN1EM-107Z	100MF 25V E. CAP.	
C185	QETN1HM-105Z	1MF 50V AL E. CAP.	
C186	QETN1HM-105Z	1MF 50V AL E. CAP.	
	RESISTORS		
R102	QRD167J-332	3.3K 1/6W CARBON RES.	
R103	QRD161J-221	220 1/6W CARBON RES.	
R104	QRD167J-272	2.7K 1/6W CARBON RES.	

Item	Parts Number	Description	Area
R105	QRD161J-391	390 1/6W CARBON RES.	
R106	QRD161J-102	1K 1/6W CARBON RES.	
R107	QRD161J-561	560 1/6W CARBON RES.	
R108	QRD167J-332	3.3K 1/6W CARBON RES.	
R109	QRD161J-221	220 1/6W CARBON RES.	
R115	QRD161J-104	100K 1/6W CARBON RES.	
R119	QRD161J-103	10K 1/6W CARBON RES.	
R121	QRD161J-473	47K 1/6W CARBON RES.	
R122	QRD161J-472	4.7K 1/6W CARBON RES.	
R124	QRD161J-222	2.2K 1/6W CARBON RES.	
R126	QRD167J-562	5.6K 1/6W CARBON RES.	
R127	QRD167J-822	8.2K 1/6W CARBON RES.	
R128	QRD161J-472	4.7K 1/6W CARBON RES.	
R129	QRD161J-222	2.2K 1/6W CARBON RES.	
R130	QRZ0077-680	68 1/4W FUSIBLE RES.	
R132	QRD161J-102	1K 1/6W CARBON RES.	
R133	QRD167J-822	8.2K 1/6W CARBON RES.	
R134	QRD161J-102	1K 1/6W CARBON RES.	
R140	QRD161J-183	18K 1/6W CARBON RES.	
R141	QRD161J-472	4.7K 1/6W CARBON RES.	
R142	QRD161J-470	47 1/6W CARBON RES.	
R143	QRD167J-562	5.6K 1/6W CARBON RES.	
R144	QRD167J-332	3.3K 1/6W CARBON RES.	
R145	QRD161J-103	10K 1/6W CARBON RES.	
R146	QRD167J-332	3.3K 1/6W CARBON RES.	
R147	QRD161J-273	27K 1/6W CARBON RES.	
R148	QRD161J-561	560 1/6W CARBON RES.	
R150	QRD161J-101	100 1/6W CARBON RES.	
R157	QRD167J-682	6.8K 1/6W CARBON RES.	
R158	QRD167J-682	6.8K 1/6W CARBON RES.	
R161	QRD161J-102	1K 1/6W CARBON RES.	
R162	QRD161J-102	1K 1/6W CARBON RES.	
R163	QRD161J-472	4.7K 1/6W CARBON RES.	
R164	QRD161J-472	4.7K 1/6W CARBON RES.	
R181	QRD161J-102	1K 1/6W CARBON RES.	
R182	QRD161J-103	10K 1/6W CARBON RES.	
R183	QRD161J-103	10K 1/6W CARBON RES.	
R184	QRD161J-103	10K 1/6W CARBON RES.	
	OTHERS		
	EMW10684-002	PRINTED BOARD	
	EMW10684-003	PRINTED BOARD	U, US, UT
L111	EQL4007-150T	INDUCTOR	
T111	EQR7121-007	RF COIL	
T141	QQR0613-001	I. F. TRANSFORMER	
T142	QAX0303-001	CERAMIC FILTER	
X121	ECX0007-200KWJ1	CRYSTAL	
AT101	FMMB10YV-401K	ANTENNA TERMINAL	
CF101	QAX0285-001Z	CERAMIC FILTER	
CF102	QAX0285-001Z	CERAMIC FILTER	
CN111	ENV5163-012R	CONNECT TERMINAL	
FL141	EQF0101-013	LOWPASS FILTER	
FL142	EQF0101-013	LOWPASS FILTER	
RF101	EAF2207-001	FRONT END	

Accessories List

Block No. **M2MM**

△	Item	Parts Number	Parts Name	Q'ty	Description	Area
	1	LET0022-001A	INSTRUCTION BOOK	1		EF, G
	1	LET0022-002A	INSTRUCTION BOOK	1		EN
	1	LET0022-003A	INSTRUCTION BOOK	1		BS
	1	LET0022-004A	INSTRUCTION BOOK	1		U, US, UT
	2	RM-SR430EU	WIRE-LESS REMOTE CONTROL	1		BS, EF, EN, G
	2	RM-SR430U	WIRE-LESS REMOTE CONTROL	1		U, US, UT
	3	R6SPTT-2ST	BATTERY	1		
	4	EWP201-011	ANTENNA WIRE	1		U, US, UT
	4	EWP503-001	ANTENNA WIRE	1		BS, EF, EN, G
	5	EQB4001-015	LOOP ANTENNA	1		
△	6	ENZ2202-001	SIEMENS PLUG	1		US
△	6	ENZ2203-001	ADAPTOR PLUG	1		U, UT
	7	E309758-001	POLY BAG	1		
	-	BT-20066A	DISTRIBUTOR LIST	1		BS
	-	BT-20134	WARRANTY CARD	1		G
	-	BT-54003-1	WARRANTY CARD	1		BS
	-	E43486-340A	SAFETY SHEET	1		BS



RX-430VBK

JVC

VICTOR COMPANY OF JAPAN,LIMITED

AUDIO PRODUCTS DIVISION 10-1, 1-chome, ohwatari-machi,maebashi-city,Japan

(No. 20635U)



Printed in Japan
9705(S)